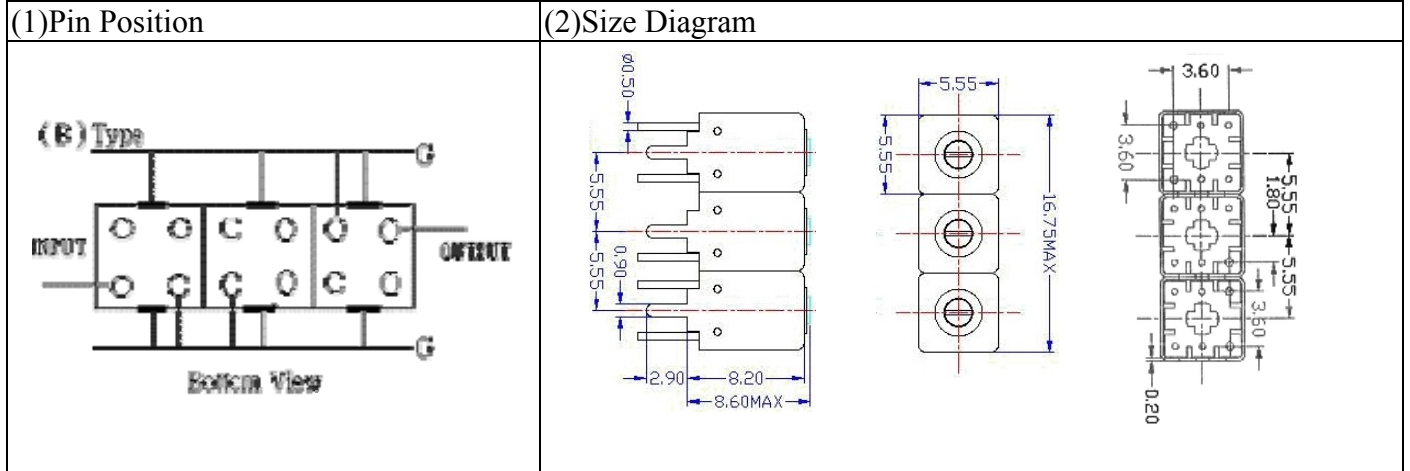
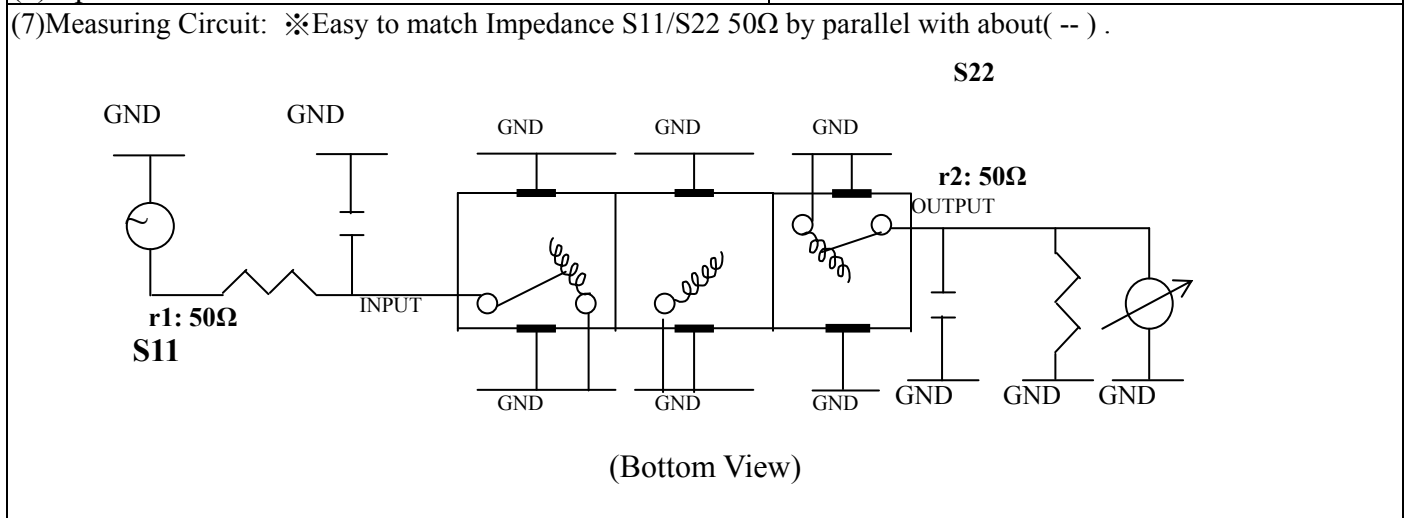


# VHF UHF Helical Filter Specification Sheet

Customer Name		Temwell's Part No.	TTW3948B-1967.5M
Approval No. /dated	1106112APR	Temwell's Print Name.	3948B 1967.5M
Work Instruction No.	201106112CD	Date	Jul.13.2011



(3) Electric Character			
Item		Specify	Performance
Center Freq.(Fo) +/- 0.5 %		1967.5 MHz	1967.5 MHz
Insertion Loss		Typ. 7.0 dB	6.17 dB
-3 dB Bandwidth		Typ. 10 MHz	28.3 MHz
Sensitivity (Attenuation)	Fo - 100 MHz	Typ. 29 dBc	43 dBc
	Fo + 100 MHz	Typ. 21 dBc	29 dBc
	Fo - ( )MHz	Typ. dBc	dBc
	Fo +( )MHz	Typ. dBc	dBc
Return Loss		Min. 12 dB	25.8 dB
Ripple		< 1 dB	dB
Impedance		In / Out : 50 Ω	In / Out : 50 Ω
(4) Torque for Tuning Screw		> 60gf · cm	
(5) Temperature Condition:			
Operating Temperature		0°C ~ +60°C	
Storage Temperature		-20°C ~ +70°C	
(6) Input Power		> 0.5Watt	



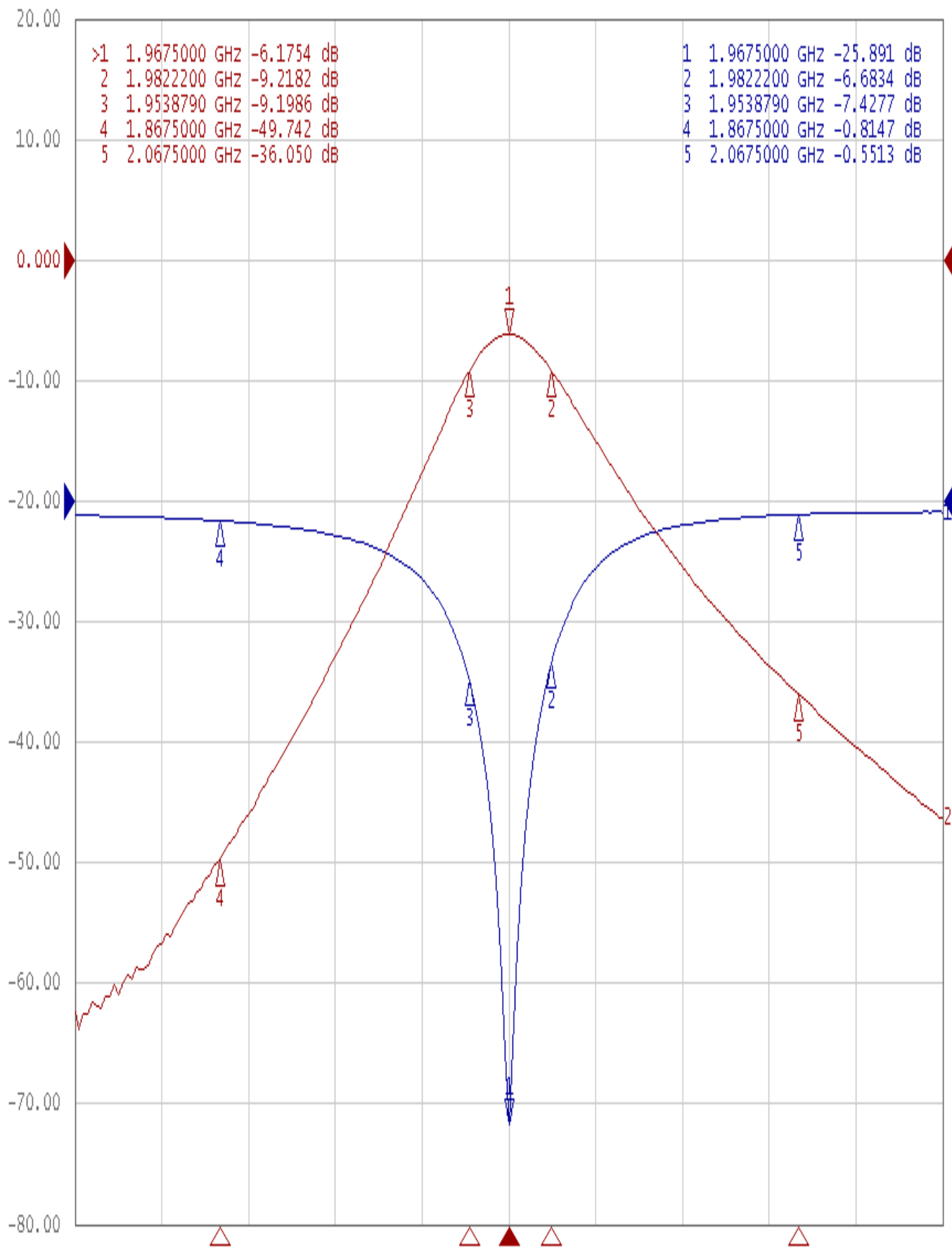
Approval C.Y.Chang	Supervisor C.K.Chang	Designer P.H.Chiang	Aperture size 5W3S(3.8*3.5)(3.59) 5HW046RB3.2-J1
-----------------------	-------------------------	------------------------	--

TEMWELL CORPORATION

# Performance-TTW3948B-1967.5M

## 201106112CD

Tr1 S11 Log Mag 5.000dB/ Ref 0.000dB [F2]  
▶ Tr2 S21 Log Mag 10.00dB/ Ref 0.000dB [F2]



1 Center 1.9675 GHz

IFBW 70 kHz

Span 300 MHz Cor