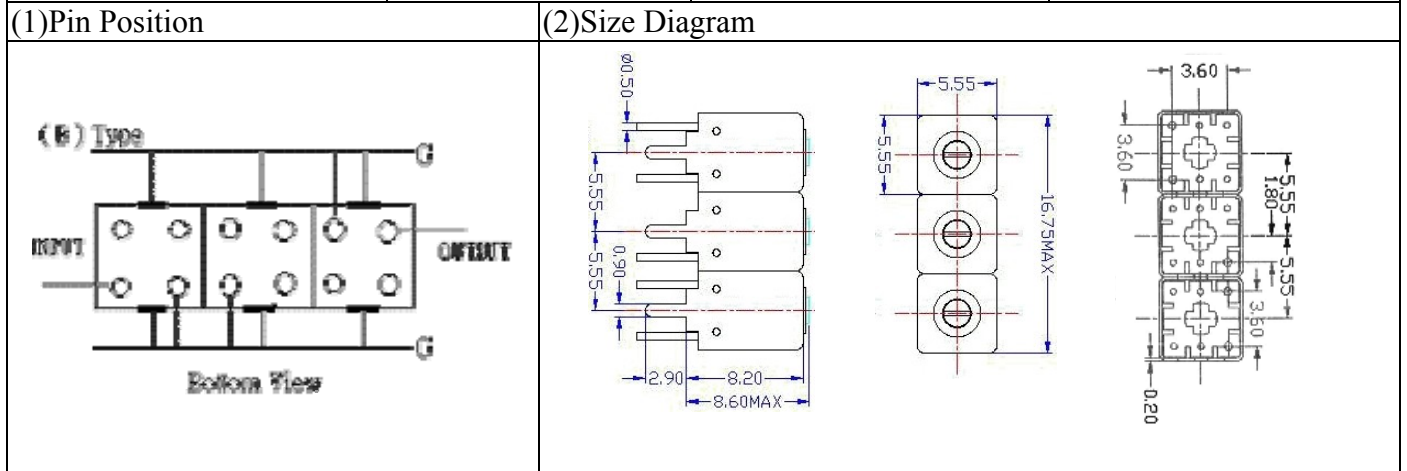


VHF UHF Helical Filter Specification Sheet

Customer Name		Temwell's Part No.	TTW3947B-1887.5M
Approval No. /dated	1106111APR	Temwell's Print Name.	3947B 1887.5M
Work Instruction No.	201106111CD	Date	Jul.13.2011



(3) Electric Character

Item	Specify	Performance	
Center Freq.(Fo) +/- 0.5 %	1887.5 MHz	1887.5 MHz	
Insertion Loss	Typ. 6.0 dB	4.98 dB	
-3 dB Bandwidth	Typ. 10 MHz	31.4 MHz	
Sensitivity (Attenuation)	Fo - 100 MHz	Typ. 32 dBc	41 dBc
	Fo + 100 MHz	Typ. 23 dBc	30 dBc
	Fo - ()MHz	Typ. dBc	dBc
	Fo +()MHz	Typ. dBc	dBc
Return Loss	Min. 12 dB	31.2 dB	
Ripple	< 1 dB	dB	
Impedance	In / Out : 50 Ω	In / Out : 50 Ω	
(4) Torque for Tuning Screw	> 60gf · cm		

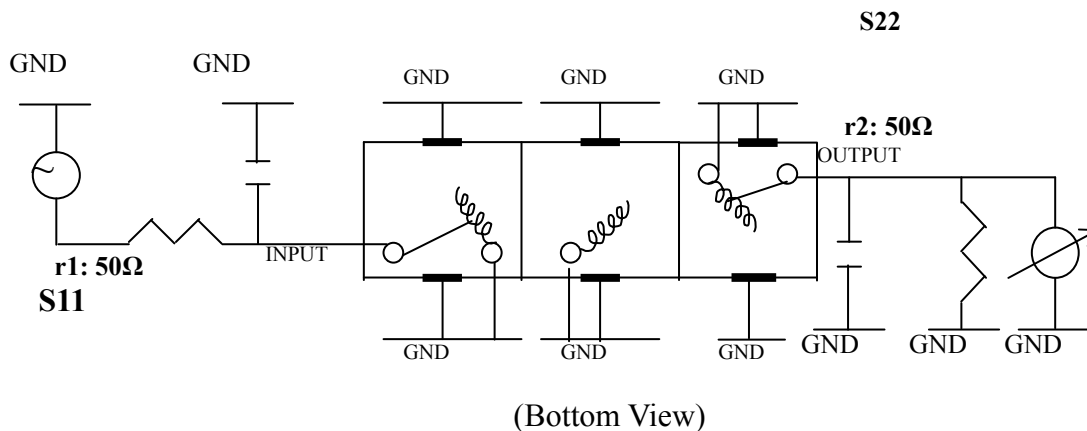
(5) Temperature Condition:

Operating Temperature	0°C ~ +60°C
Storage Temperature	-20°C ~ +70°C

(6) Input Power

> 0.5Watt

(7) Measuring Circuit: ※Easy to match Impedance S11/S22 50Ω by parallel with about(--).



Approval	Supervisor	Designer	Aperture size
C.Y.Chang	C.K.Chang	P.H.Chiang	5W3S(3.8*3.5)(3.59) 5HW046RB3.2-J1

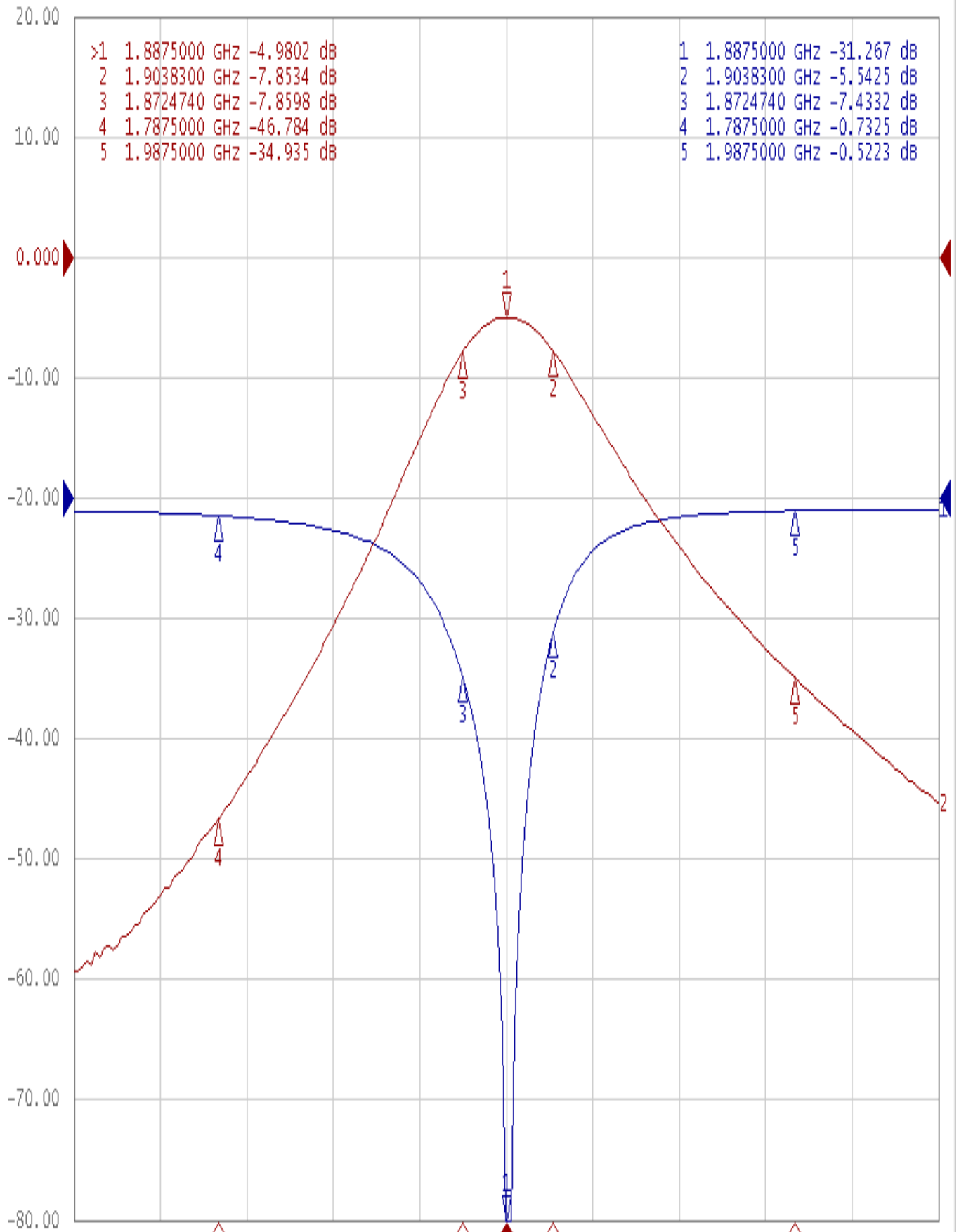
TEMWELL CORPORATION

Performance-TTW3947B-1887.5M

201106111CD

Tr1 S11 Log Mag 5.000dB/ Ref 0.000dB [F2]

Tr2 S21 Log Mag 10.00dB/ Ref 0.000dB [F2]



1 Center 1.8875 GHz

IFBW 70 kHz

Span 300 MHz Cor