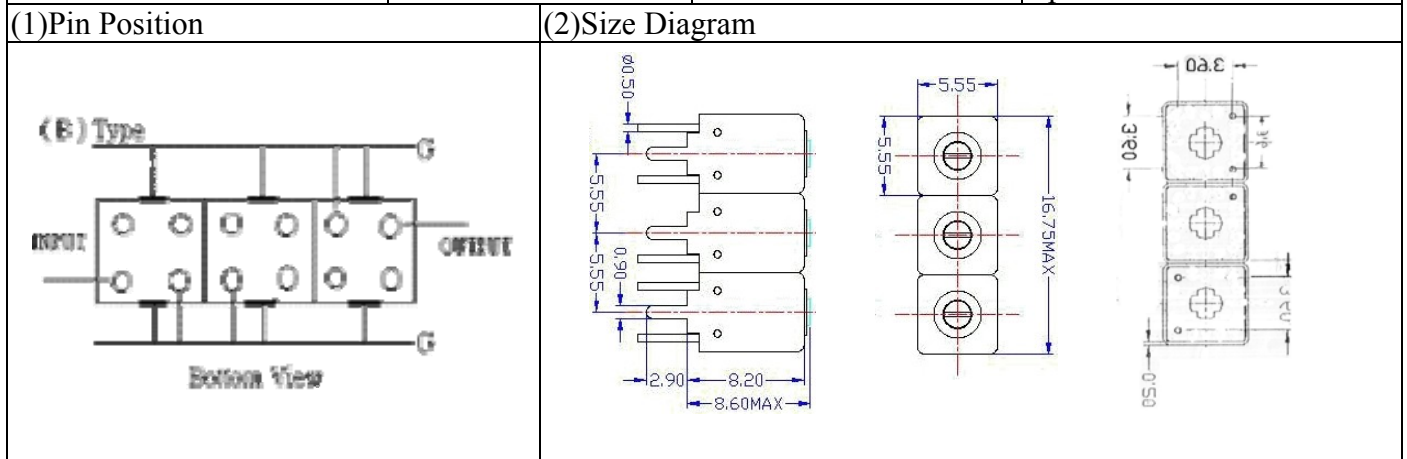


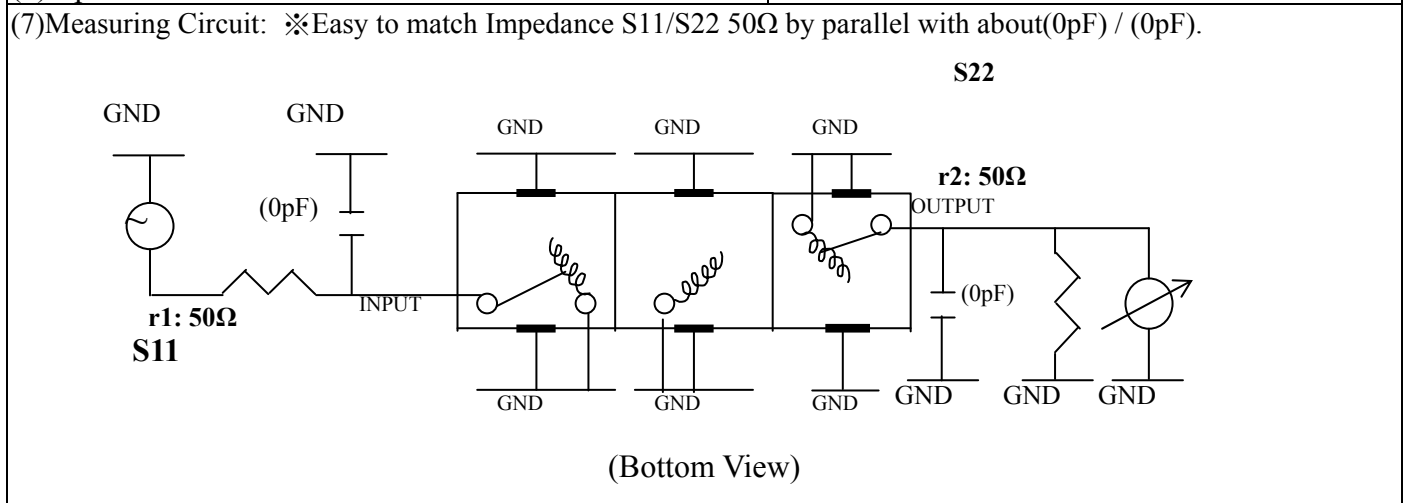
VHF UHF Helical Filter Specification Sheet

Customer Name		Temwell's Part No.	TTW3924B-2460M
Approval No. /dated	1004042CD	Temwell's Print Name.	3924B 2460M
Work Instruction No.	201004042CD	Date	Apr.16.2010



(3) Electric Character			
Item		Specify	Performance
Center Freq.(Fo) +/- 0.5 %		2460 MHz	2460 MHz
Insertion Loss		Typ. 3.0 dB	2.46 dB
-3 dB Bandwidth		Typ. 75 MHz	95.1 MHz
Sensitivity (Attenuation)	Fo - 200 MHz	Typ. 35 dBc	38 dBc
	Fo +200 MHz	Typ. 25 dBc	28 dBc
	Fo - 500MHz	Typ. 50 dBc	54 dBc
	Fo +500MHz	Typ. 45 dBc	50 dBc
Return Loss		Min. 12 dB	24.9 dB
Ripple		< 1 dB	dB
Impedance		In / Out : 50 Ω	In / Out : 50 Ω
(4) Torque for Tuning Screw		> 60gf · cm	

(5) Temperature Condition:	
Operating Temperature	0°C ~ +60°C
Storage Temperature	-20°C ~ +70°C
(6) Input Power	> 0.5Watt



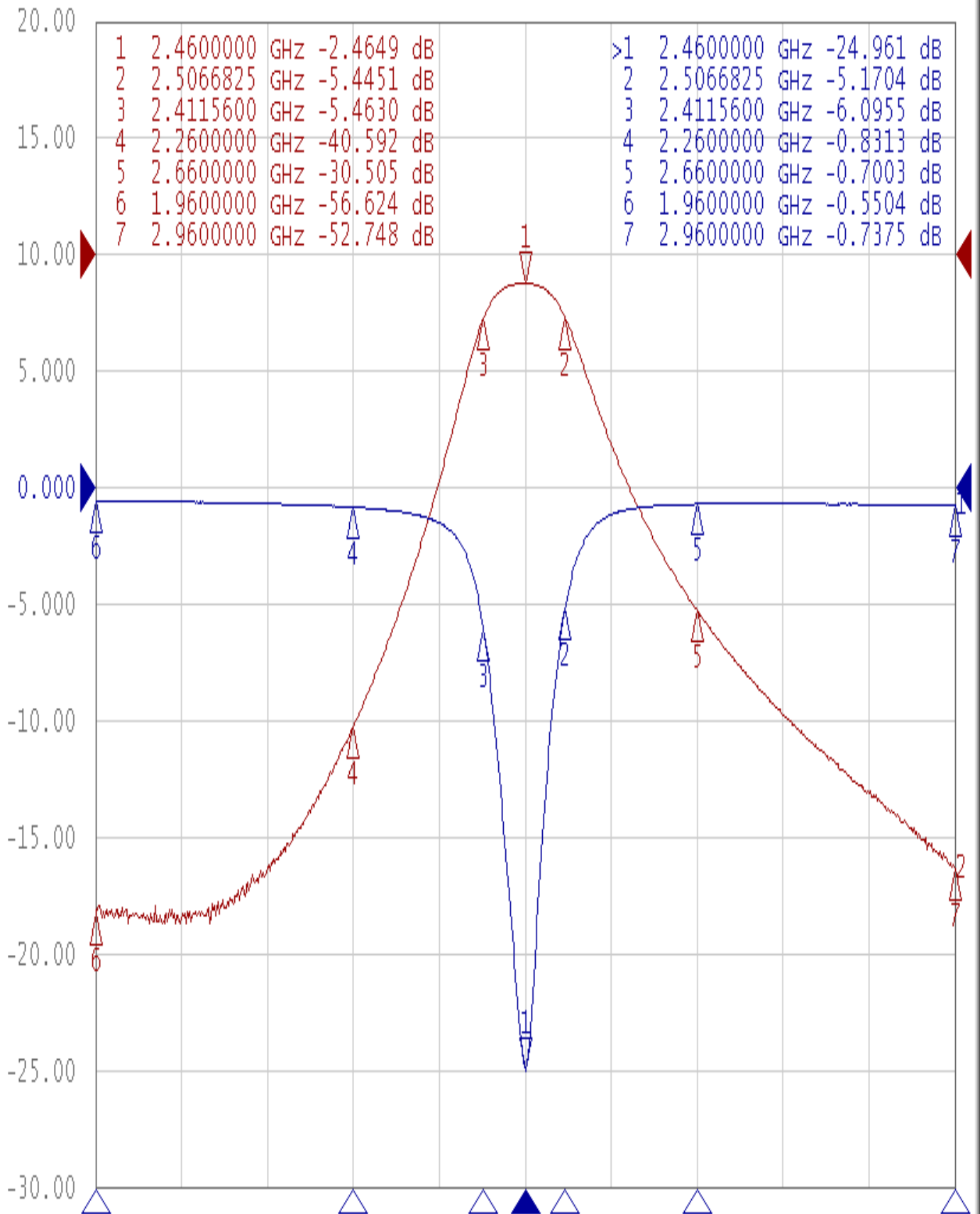
Approval C.Y.Chang	Supervisor C.K.Chang	Designer C.S.Chang	Aperture size 5W3S(3.8*4.0)(4.12) 5HW046RB3.2
-----------------------	-------------------------	-----------------------	---

TEMWELL CORPORATION

Performance-TTW3924B-2460M

201004042CD

▶ Tr1 S11 Log Mag 5.000dB/ Ref 0.000dB [F2]
Tr2 S21 Log Mag 10.00dB/ Ref 0.000dB [F2]



1 Center 2.46 GHz IFBW 10 kHz Span 1 GHz Cor !