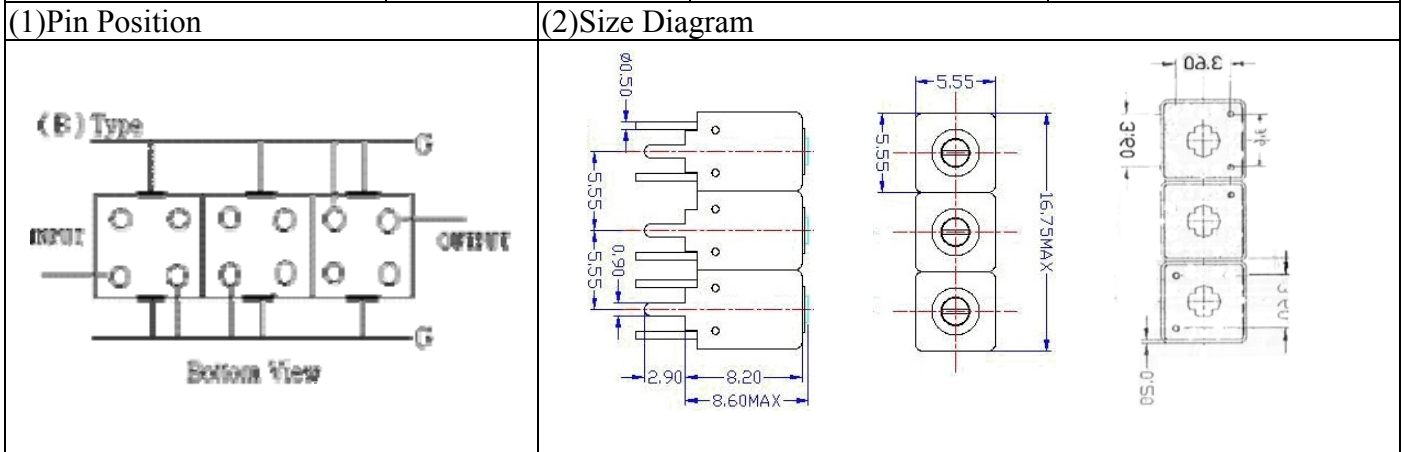


# VHF UHF Helical Filter Specification Sheet

Customer Name		Temwell's Part No.	TTW3920B-2350M
Approval No. /dated	0905011CD	Temwell's Print Name.	3920B 2350M
Work Instruction No.	200905011CD	Date	Jun.16.2009



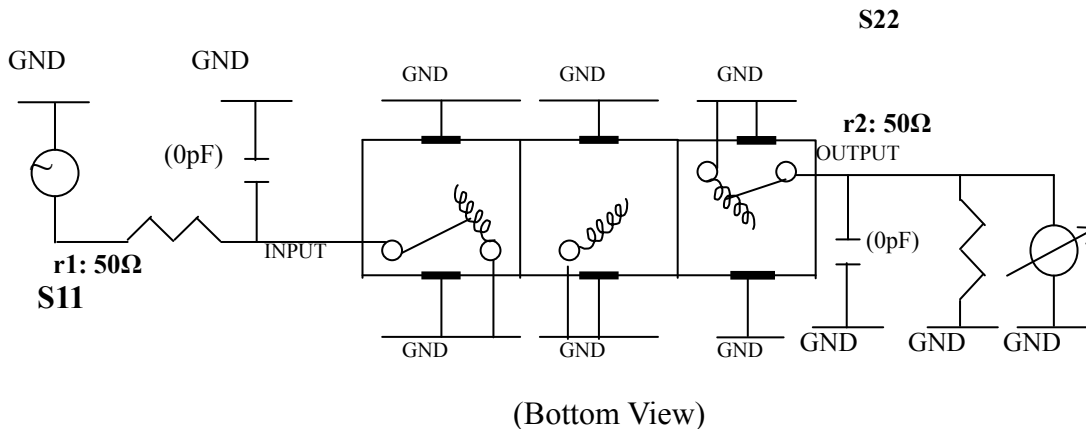
Item		Specify	Performance
Center Freq.(Fo) +/- 0.5 %		2350 MHz	2350 MHz
Insertion Loss		Typ. 2.5 dB	1.45 dB
-3 dB Bandwidth		Typ. 180 MHz	199.9 MHz
Sensitivity (Attenuation)	Fo - 300 MHz	Typ. 34 dBc	37 dBc
	Fo + 300 MHz	Typ. 20 dBc	23 dBc
	Fo - ( )MHz	Typ. dBc	dBc
	Fo +( )MHz	Typ. dBc	dBc
Return Loss		Min. 12 dB	22.9 dB
Ripple		< 1 dB	dB
Impedance		In / Out : 50 Ω	In / Out : 50 Ω

(4) Torque for Tuning Screw > 60gf · cm

(5) Temperature Condition:  
 Operating Temperature 0°C ~ +60°C  
 Storage Temperature -20°C ~ +70°C

(6) Input Power > 0.5Watt

(7) Measuring Circuit: ※Easy to match Impedance S11/S22 50Ω by parallel with about(0pF) / (0pF).



Approval	Supervisor	Designer	Aperture size
C.Y.Chang	C.K.Chang	C.S.Chang	5W3(3.8*5.1)*(5.12) 5HW046RB4

TEMWELL CORPORATION

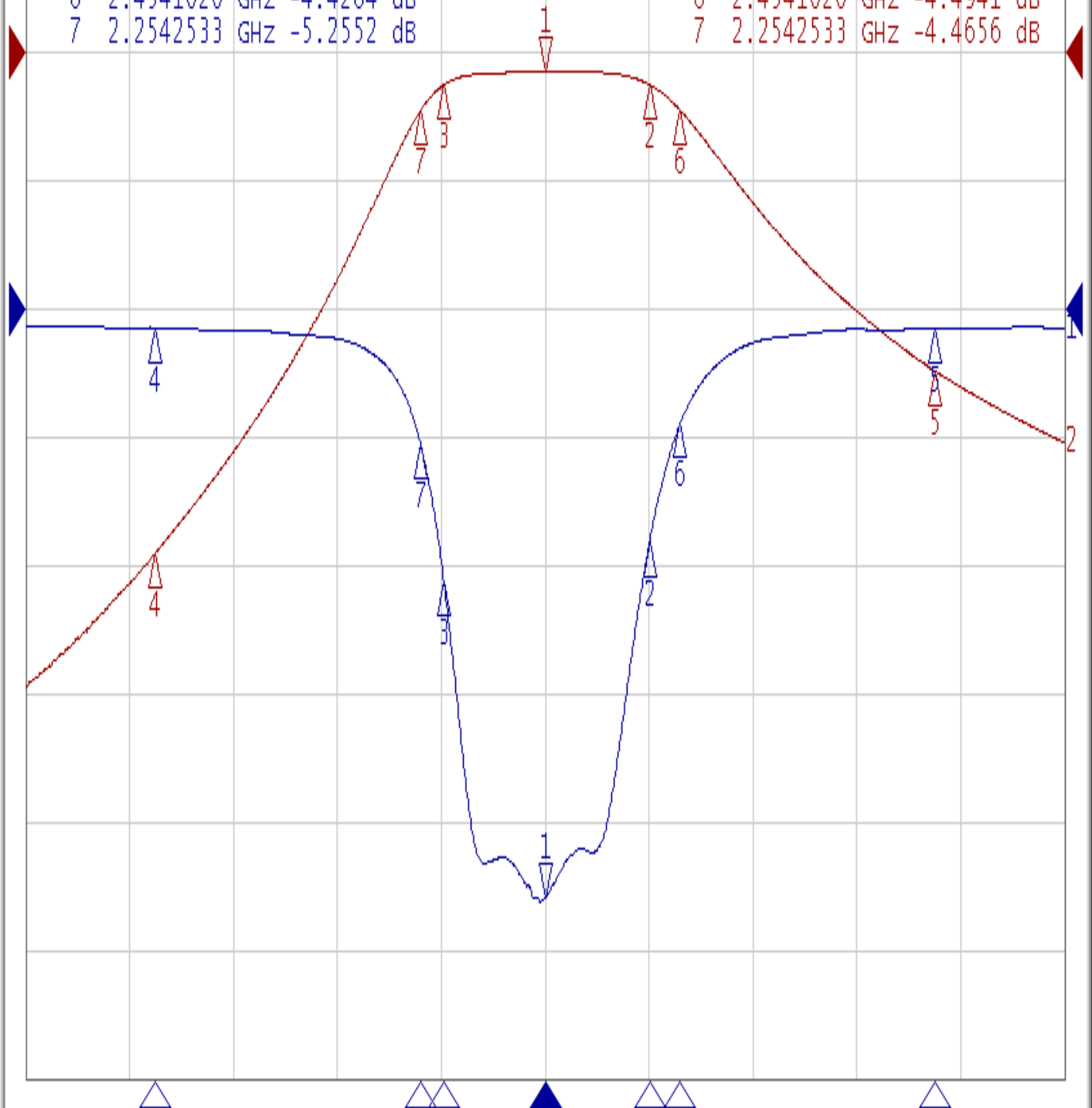
# Performance-TTW3920B-2350M

## 200905011CD

▶ Tr1 S11 Log Mag 5.000dB/ Ref 0.000dB [F2]  
Tr2 S21 Log Mag 10.00dB/ Ref 0.000dB [F2]

>1	2.3500000	GHz	-22.924	dB
2	2.4304000	GHz	-9.0947	dB
3	2.2718680	GHz	-10.581	dB
4	2.0500000	GHz	-0.7043	dB
5	2.6500000	GHz	-0.7108	dB
6	2.4541020	GHz	-4.4264	dB
7	2.2542533	GHz	-5.2552	dB

1	2.3500000	GHz	-1.4545	dB
2	2.4304000	GHz	-2.4768	dB
3	2.2718680	GHz	-2.4792	dB
4	2.0500000	GHz	-39.041	dB
5	2.6500000	GHz	-24.784	dB
6	2.4541020	GHz	-4.4941	dB
7	2.2542533	GHz	-4.4656	dB



1 Center 2.35 GHz

IFBW 10 kHz

Span 800 MHz