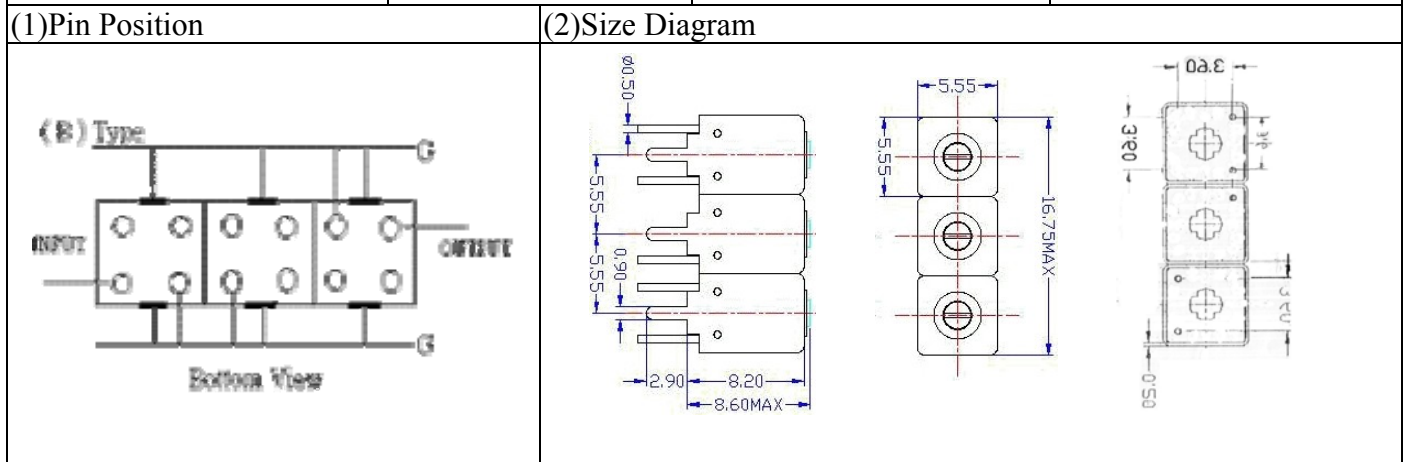


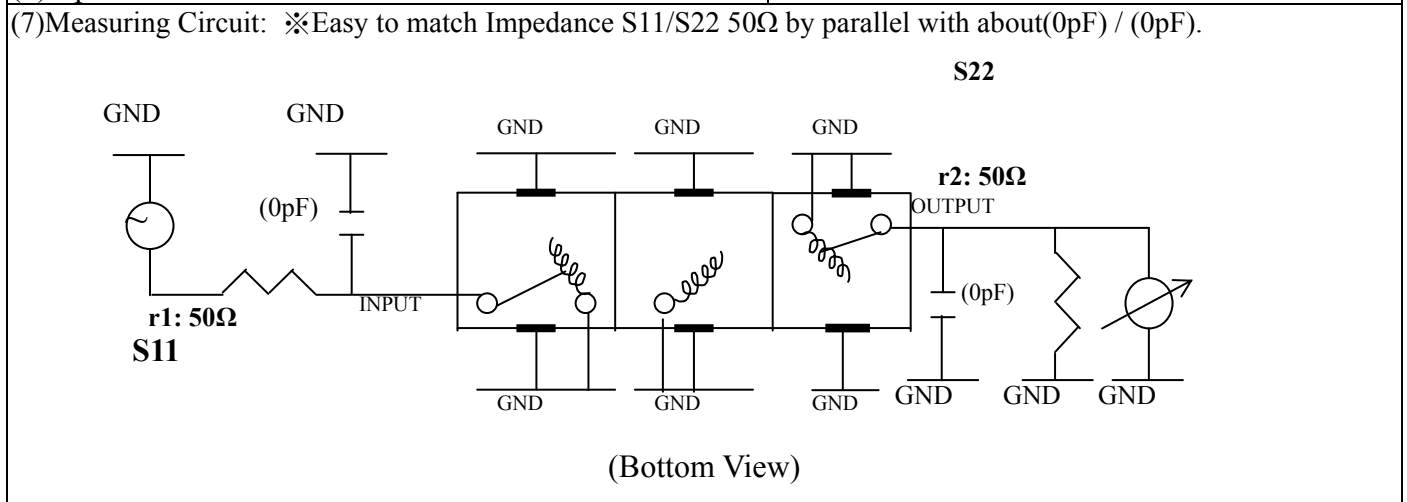
VHF UHF Helical Filter Specification Sheet

Customer Name		Temwell's Part No.	TTW3919B-1875M
Approval No. /dated	0905010CD	Temwell's Print Name.	3919B 1875M
Work Instruction No.	200905010CD	Date	Jun.15.2009



(3) Electric Character					
Item		Specify		Performance	
Center Freq.(Fo) +/- 0.5 %		1875 MHz		1875 MHz	
Insertion Loss		Typ. 2.0 dB		1.28 dB	
-3 dB Bandwidth		Typ. 180 MHz		193.1 MHz	
Sensitivity (Attenuation)	Fo - 400 MHz	Typ. 50 dBc		53 dBc	
	Fo + 400 MHz	Typ. 25 dBc		28 dBc	
	Fo - ()MHz	Typ. dBc		dBc	
	Fo +()MHz	Typ. dBc		dBc	
Return Loss		Min. 12 dB		34.6 dB	
Ripple		< 1 dB		dB	
Impedance		In / Out : 50 Ω		In / Out : 50 Ω	
(4) Torque for Tuning Screw		> 60gf · cm			

(5) Temperature Condition:	
Operating Temperature	0°C ~ +60°C
Storage Temperature	-20°C ~ +70°C
(6) Input Power	> 0.5Watt



Approval	Supervisor	Designer	Aperture size
C.Y.Chang	C.K.Chang	C.S.Chang	5W3(3.8*5.1)*(5.14) 5HW046RB4

TEMWELL CORPORATION

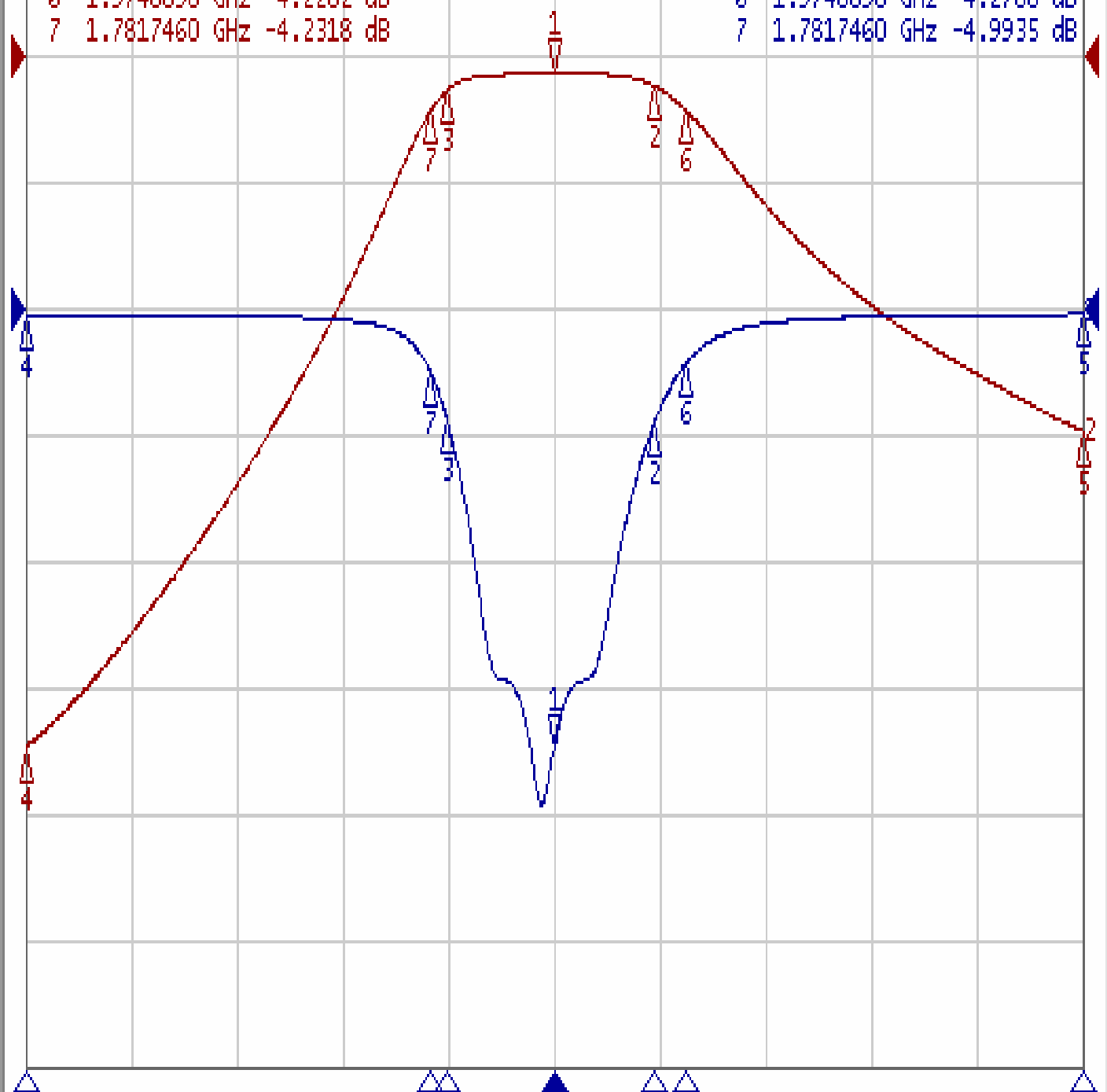
Performance-TTW3919B-1875M

200905010CD

Tr1 S11 Log Mag 10.00dB/ Ref 0.000dB [F4]
Tr2 S21 Log Mag 10.00dB/ Ref 0.000dB [F4]

1	1.8750000 GHz	-1.2878 dB
2	1.9504970 GHz	-2.2540 dB
3	1.7935990 GHz	-2.6782 dB
4	1.4750000 GHz	-54.692 dB
5	2.2750000 GHz	-29.604 dB
6	1.9748890 GHz	-4.2202 dB
7	1.7817460 GHz	-4.2318 dB

>1	1.8750000 GHz	-34.693 dB
2	1.9504970 GHz	-9.0717 dB
3	1.7935990 GHz	-8.5548 dB
4	1.4750000 GHz	-0.3974 dB
5	2.2750000 GHz	-0.3466 dB
6	1.9748890 GHz	-4.2708 dB
7	1.7817460 GHz	-4.9935 dB



1 Center 1.875 GHz

IFBW 10 kHz

Span 800 MHz

C? !