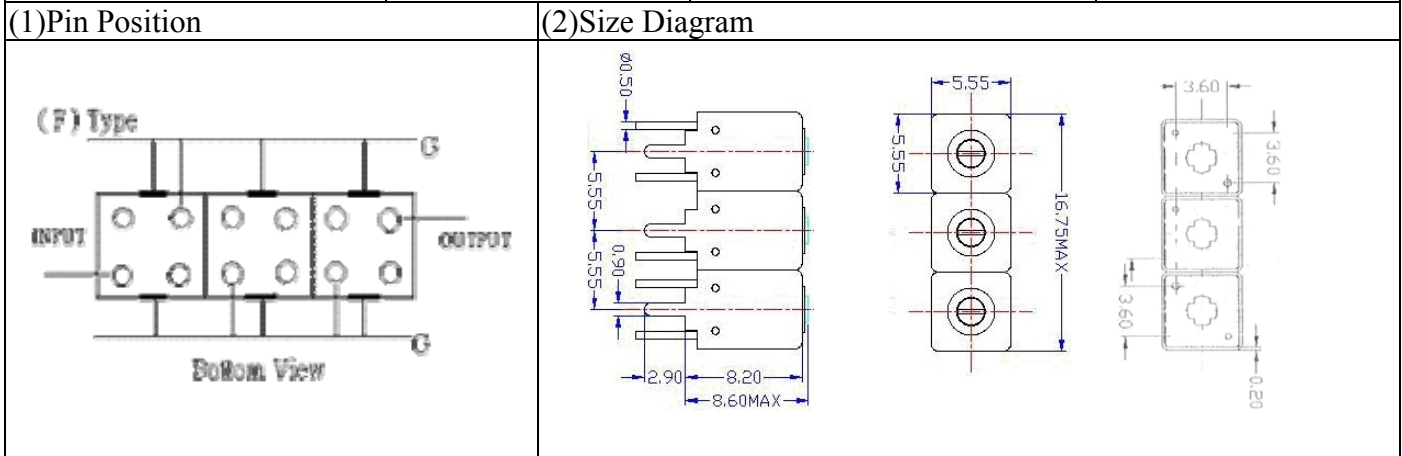


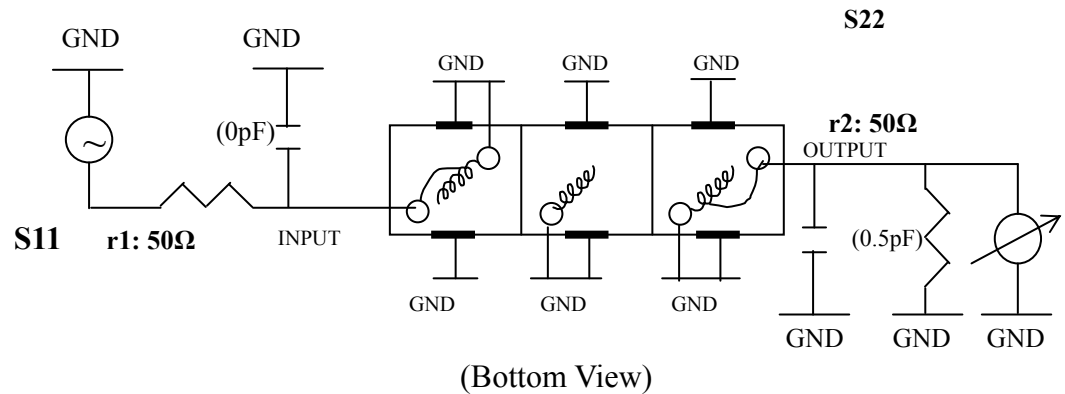
# VHF UHF Helical Filter Specification Sheet

Customer Name		Temwell's Part No.	TTW3914F-1650M
Approval No. /dated	0901058APR	Customer's Part No.	3914F 1650M
Work Instruction No.	200901058BD	Date	Jan.22.2009



(3)Electric Charasteric			
Item		Specify	Performance
Center Freq.(Fo) +/- 0.5 %		1650 MHz	1650 MHz
Tunable Range:		1650±10 MHz	1650±10 MHz
Insertion Loss		Typ. 2.5 dB	1.54 dB
-3 dB Bandwidth		Typ. 100 MHz	127.1 MHz
Sensitivity (Attenuation)	Fo -200 MHz	Typ. 28 dBc	31 dBc
	Fo +200 MHz	Typ. 36 dBc	39 dBc
	Fo - ( )MHz	Typ. dBc	dBc
	Fo +( )MHz	Typ. dBc	dBc
Return Loss		Min. 12 dB	20.2 dB
Ripple		< 1 dB	dB
Impedance		In / Out : 50 Ω	In / Out : 50 Ω
(4)Torque for Tuning Screw			
		> 60gf • cm	
(5)Temperature Condition:			
Operating Temperature		0°C ~ +60°C	
Storage Temperature		-20°C ~ +70°C	
(6)Input Power		> 0.5Watt	

(7)Measuring Circuit: ※Easy to match Impedance S11/S22 50Ω/50Ω by parallel with about( 0 pF) / ( 0.5 pF).

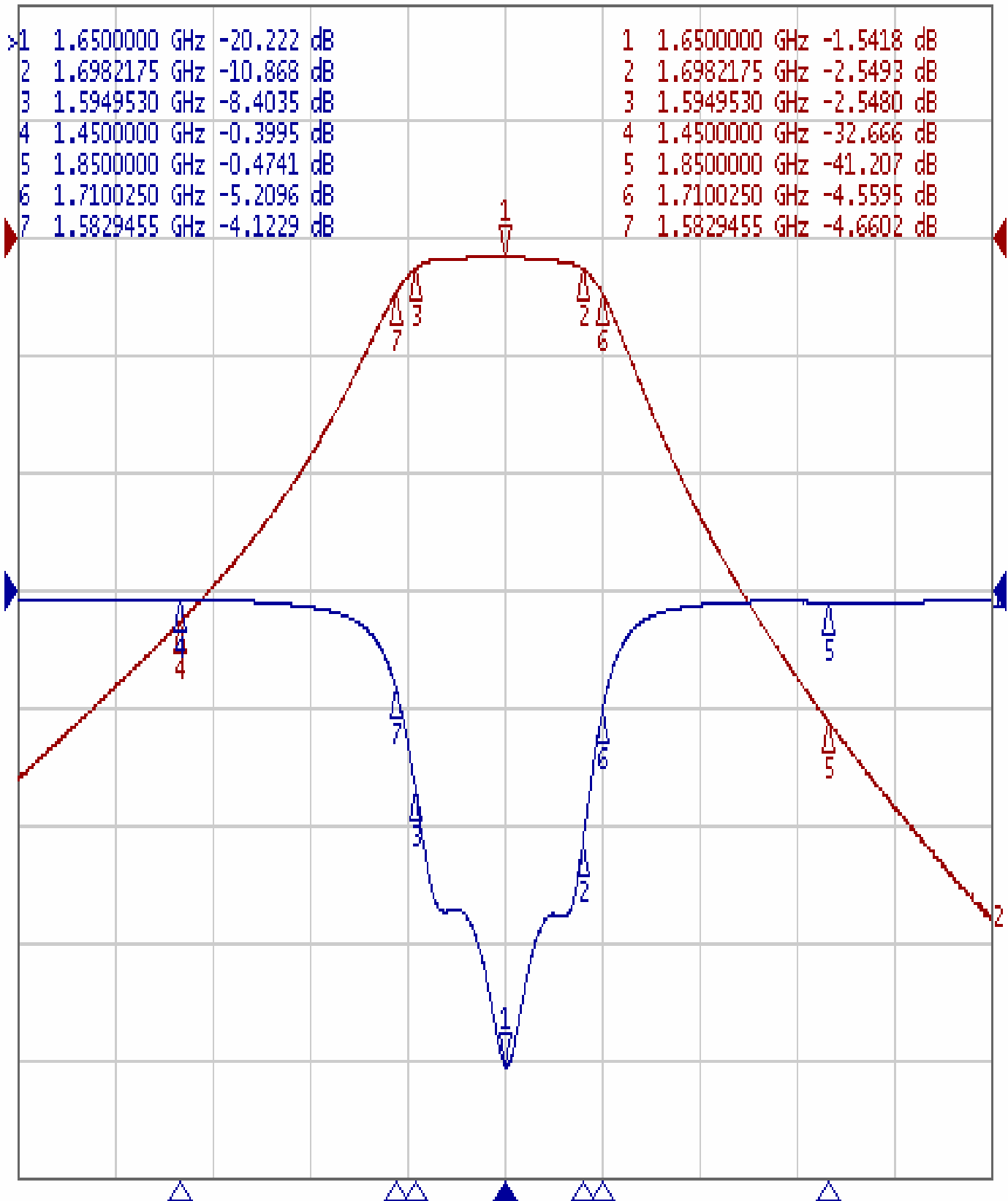


Approval	Supervisor	Designer	Aperture size
C.Y.Chang	C.S.Chang	C.S.Chang	5W3S(3.8*4.5)(4.62) (5HW046RB4.0)
TEMWELL CORPORATION			

# Performance-TTW3914F-1650M

## 200901058BD

Tr1 S11 Log Mag 5.000dB/ Ref 0.000dB [F3]  
Tr2 S21 Log Mag 10.00dB/ Ref 0.000dB [F3]



1 Center 1.65 GHz

IFBW 10 kHz

Span 600 MHz

Sim ? !