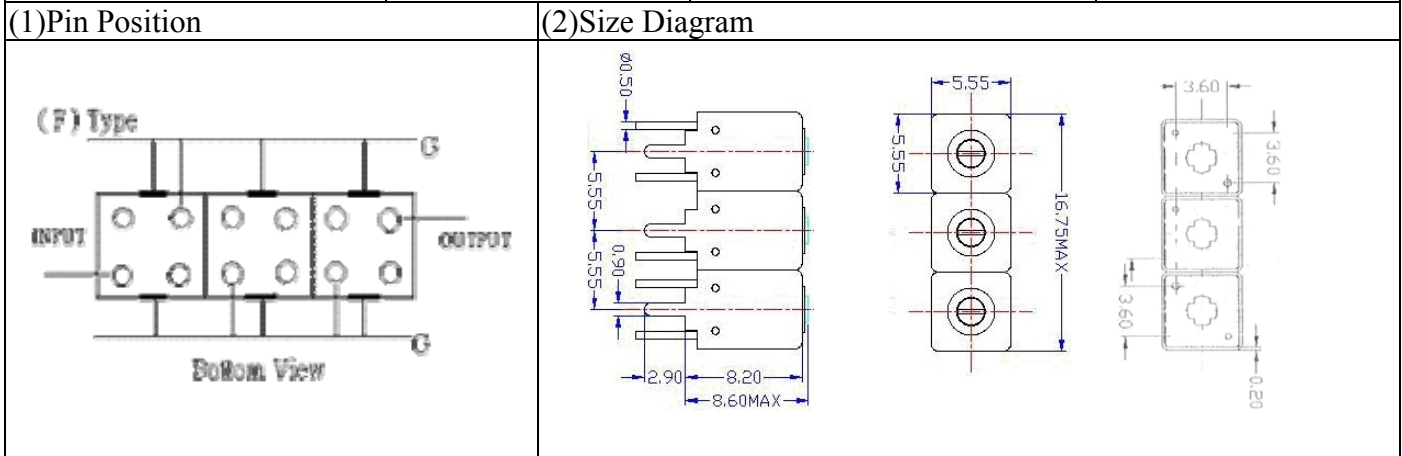


VHF UHF Helical Filter Specification Sheet

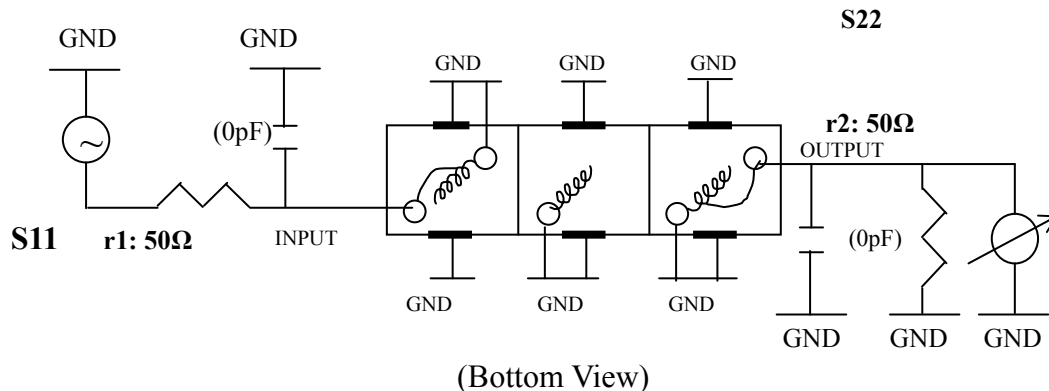
Customer Name		Temwell's Part No.	TTW3913F-1285M
Approval No. /dated	0901057APR	Customer's Part No.	3913F 1285M
Work Instruction No.	200901057BD	Date	Jan.22.2009



(3) Electric Characteristic		Item	Specify	Performance
Center Freq.(Fo) +/- 0.5 %			1285 MHz	1285 MHz
Tunable Range:			1285±10 MHz	1285±10 MHz
Insertion Loss		Typ.	2.5 dB	1.15 dB
-3 dB Bandwidth		Typ.	100 MHz	123.0 MHz
Sensitivity (Attenuation)	Fo -200 MHz	Typ.	27 dBc	30 dBc
	Fo +200 MHz	Typ.	32 dBc	35 dBc
	Fo - ()MHz	Typ.	dBc	dBc
	Fo +()MHz	Typ.	dBc	dBc
Return Loss		Min.	12 dB	22.5 dB
Ripple			< 1 dB	dB
Impedance			In / Out : 50 Ω	In / Out : 50 Ω

(4) Torque for Tuning Screw	> 60gf · cm
(5) Temperature Condition:	
Operating Temperature	0°C ~ +60°C
Storage Temperature	-20°C ~ +70°C
(6) Input Power	> 0.5Watt

(7) Measuring Circuit: ※Easy to match Impedance S11/S22 50Ω/50Ω by parallel with about(0 pF) / (0 pF).

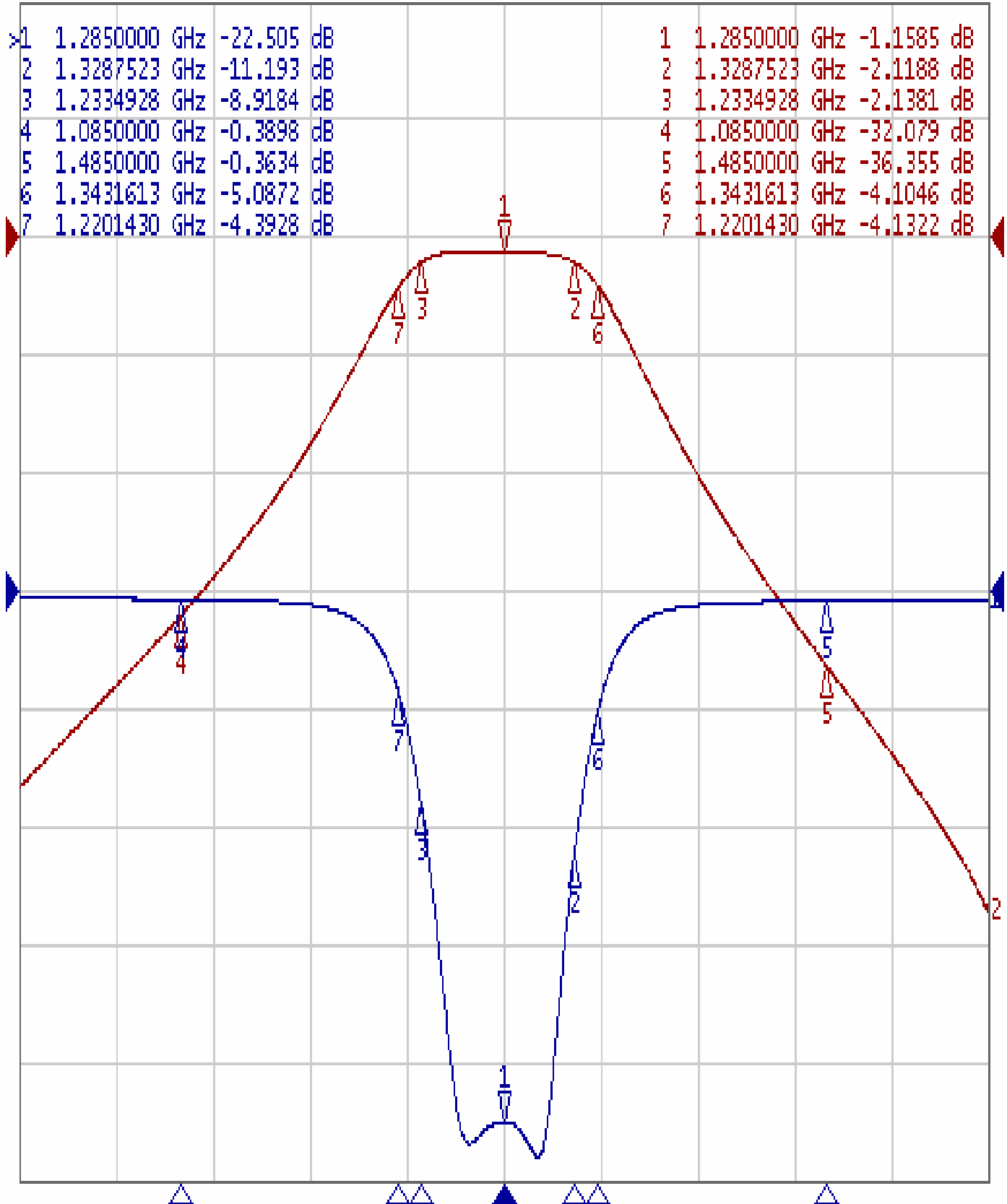


Approval	Supervisor	Designer	Aperture size
C.Y.Chang	C.S.Chang	C.S.Chang	5W3S(3.8*4.5)(4.64) (5HW046RB4.0)
TEMWELL CORPORATION			

Performance-TTW3913F-1285M

200901057BD

Tr1 S11 Log Mag 5.000dB/ Ref 0.000dB [F3]
Tr2 S12 Log Mag 10.00dB/ Ref 0.000dB [F3]



1 Center 1.285 GHz IFBW 10 kHz Span 600 MHz