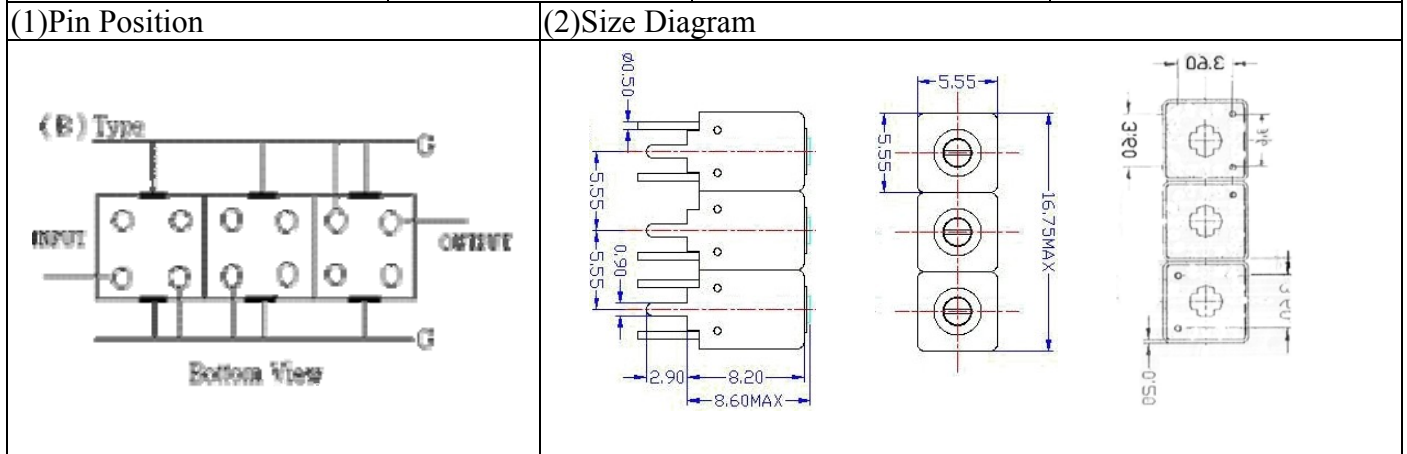


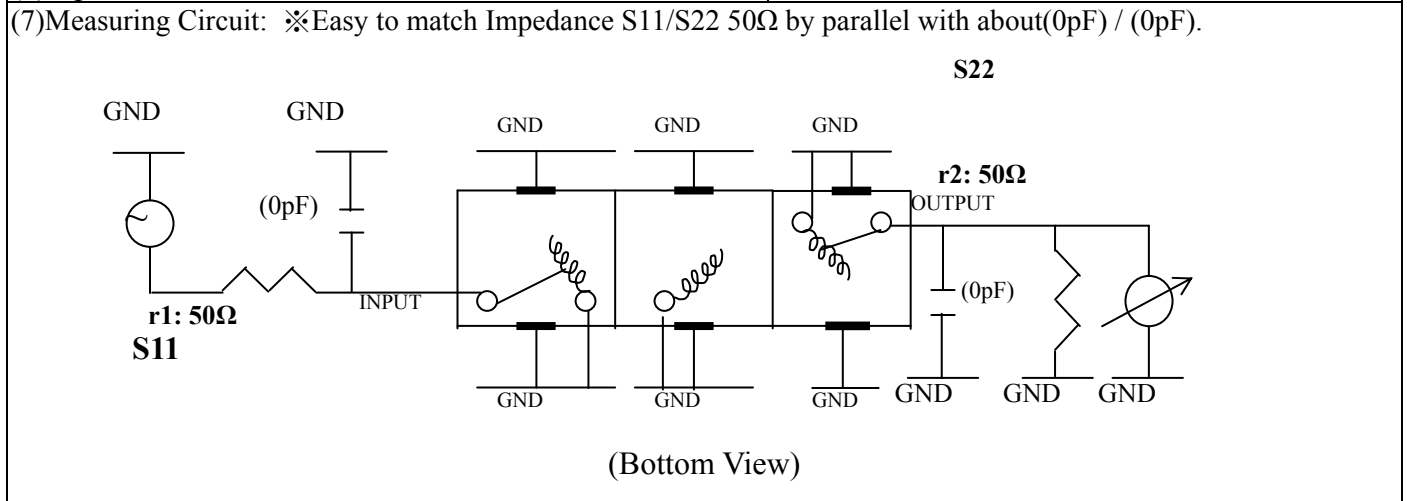
# VHF UHF Helical Filter Specification Sheet

Customer Name		Temwell's Part No.	TTW3911B-1400M
Approval No. /dated	0901038BD	Temwell's Print Name.	3911B 1400M
Work Instruction No.	200901038BD	Date	Jan.23.2009



(3) Electric Character			
Item		Specify	Performance
Center Freq.(Fo) +/- 0.5 %		1400 MHz	1400 MHz
Tunable Range:		1400±5 MHz	1400±5 MHz
Insertion Loss		Typ. 2.0 dB	1.06 dB
-3 dB Bandwidth		Typ. 140 MHz	156.7 MHz
Sensitivity (Attenuation)	Fo - 400 MHz	Typ. 53 dBc	56 dBc
	Fo + 400 MHz	Typ. 27 dBc	30 dBc
	Fo - ( )MHz	Typ. dBc	dBc
	Fo +( )MHz	Typ. dBc	dBc
Return Loss		Min. 12 dB	25.7 dB
Ripple		< 1 dB	dB
Impedance		In / Out : 50 Ω	In / Out : 50 Ω

(4) Torque for Tuning Screw	> 60gf · cm
(5) Temperature Condition:	
Operating Temperature	0°C ~ +60°C
Storage Temperature	-20°C ~ +70°C
(6) Input Power	> 0.5Watt



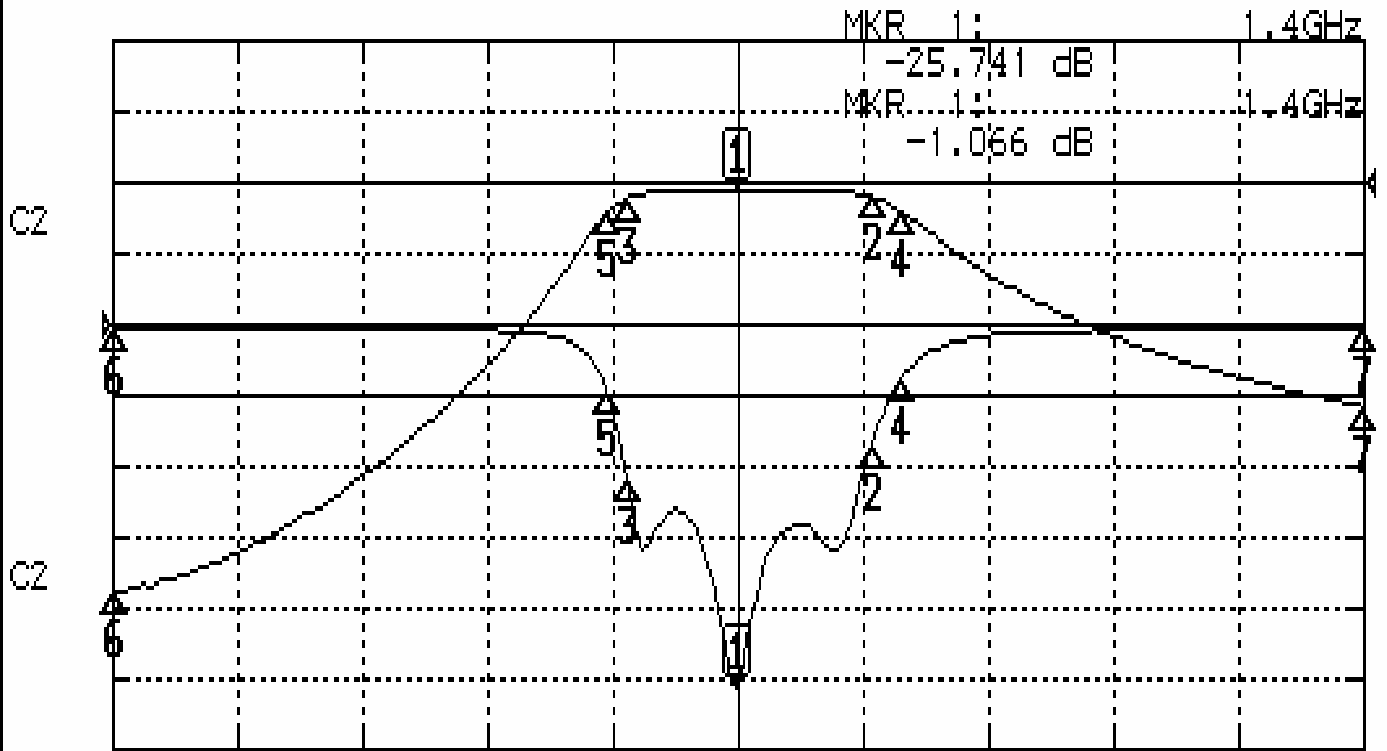
Approval C.Y.Chang	Supervisor C.S.Chang	Designer W.W.Wang	Aperture size 5W3(3.8*3.5F)(3.51) 5HW046RB4.5
-----------------------	-------------------------	----------------------	---

TEMWELL CORPORATION

# Performance-TTW3911B-1400M

## 200901038BD

<b>CH1</b>	S11	LOG MAG	REF	0.000 dB	5.000 dB/
<b>CH2</b>	S21	LOG MAG	REF	0.000 dB	10.000 dB/



**CENTER 1.4GHz**

**[ 10.00 dBm ]**

**SPAN 800MHz**

### CH1 MARKER LIST

Marker	Freq (GHz)	Magnitude (dB)
1	1.400 000	-25.741
2	1.486 000	-8.461
3	1.329 333	-10.895
4	1.504 000	-3.929
5	1.317 333	-4.915
6	1.000 000	-0.179
7	1.800 000	-0.394

### CH2 MARKER LIST

Marker	Freq (GHz)	Magnitude (dB)
1	1.400 000	-1.066
2	1.486 000	-2.076
3	1.329 333	-2.057
4	1.504 000	-4.081
5	1.317 333	-4.060
6	1.000 000	-57.402
7	1.800 000	-31.479