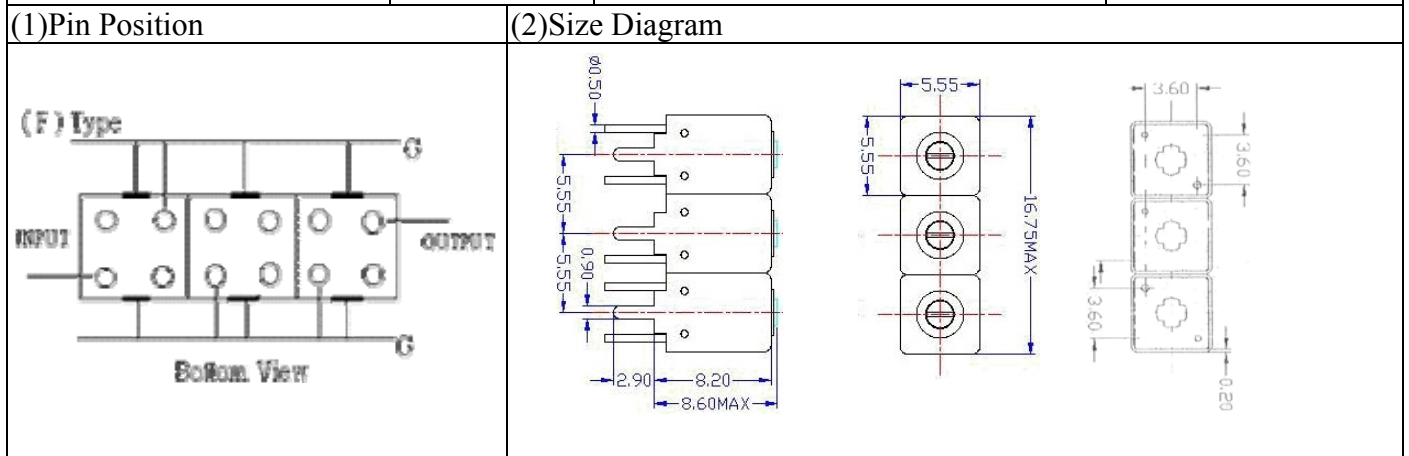


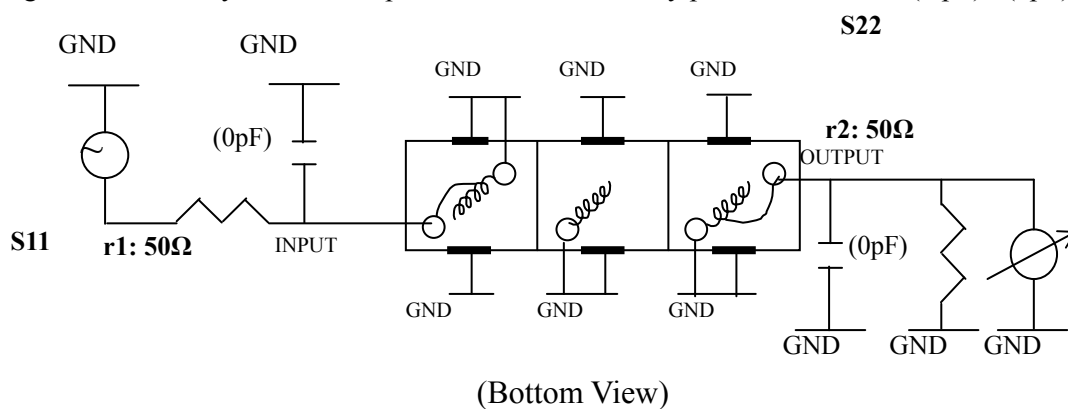
# VHF UHF Helical Filter Specification Sheet

Customer Name		Temwell's Part No.	TTW3910F-1575M-200M
Approval No. /dated	0901029APR	Temwell's Print Name.	3910F 1575M
Work Instruction No.	200901029BD	Date	Jan.19.2009



(3) Electric Chararistic			
Item	Specify	Performance	
Center Freq.(Fo) +/- 0.5 %	1575 MHz	1575 MHz	
Tunable Range:	1575±5 MHz	1575±5 MHz	
Insertion Loss	Typ. 2.0 dB	1.47 dB	
-3 dB Bandwidth	Typ. 200 MHz	204.0 MHz	
Sensitivity (Attenuation)	Fo - 300 MHz	Typ. 28 dBc	31 dBc
	Fo + 300 MHz	Typ. 38 dBc	41 dBc
	Fo - ( )MHz	Typ. dBc	dBc
	Fo +( )MHz	Typ. dBc	dBc
Return Loss	Min. 12 dB	30.7 dB	
Ripple	< 1	dB	
Impedance	In / Out : 50 Ω	In / Out : 50 Ω	
(4) Torque for Tuning Screw			
	>60gf · cm		
Operating Temperature			
	0°C ~ +60°C		
Storage Temperature			
	-20°C ~ +70°C		
(6) Input Power			
	> 0.5Watt		

(7) Measuring Circuit: ※Easy to match Impedance S11/S22 50Ω by parallel with about( 0pF) / (0pF).



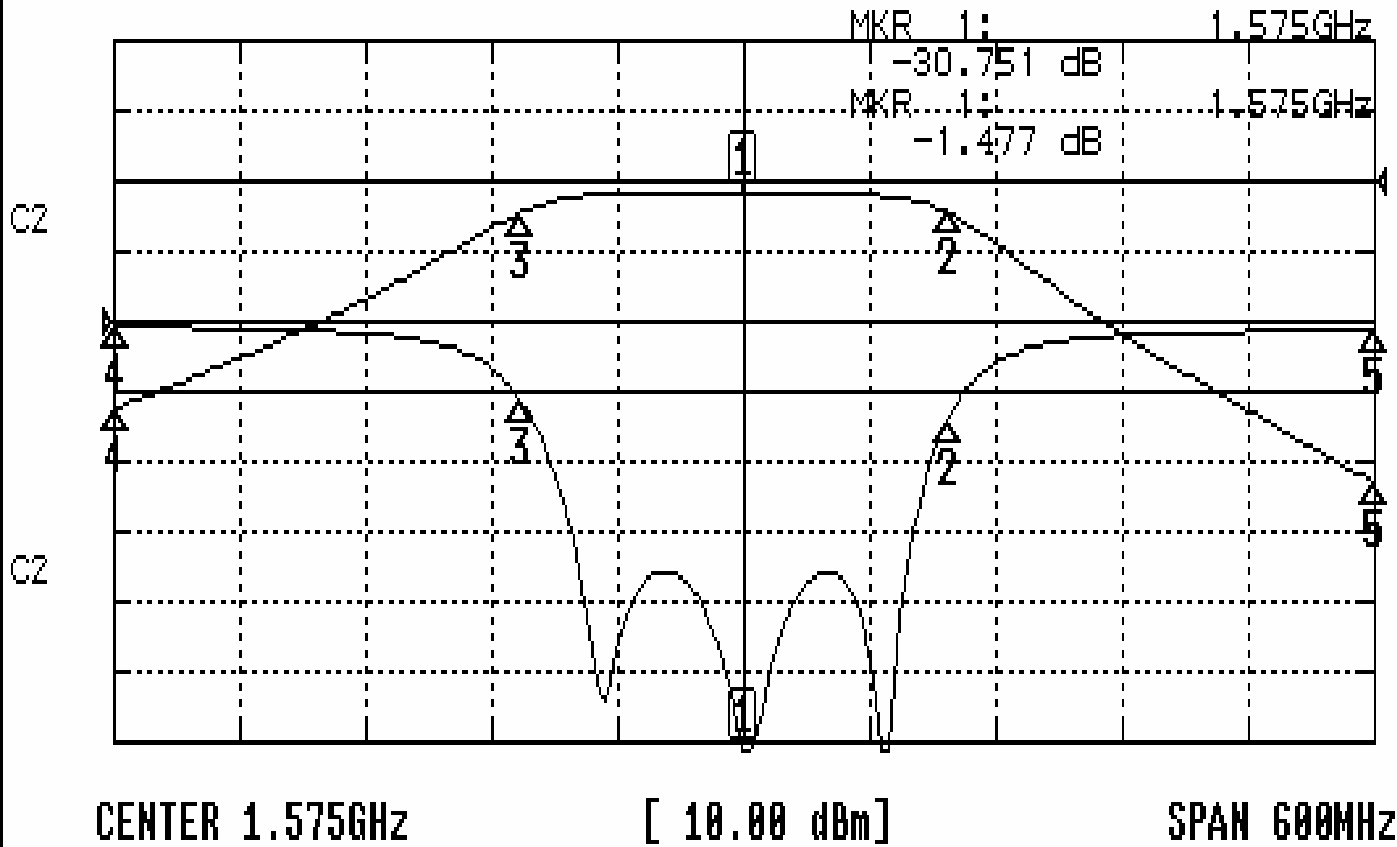
Approval	Supervisor	Designer	Aperture size
C.Y.Chang	C.K.Chang	C.H.Yeh	5W3S(3.8*5.1)(5.13) (5HW046RB4.5)

TEMWELL CORPORATION

# Performance-TTW3910F-1575M-200M

200901029BD

CH1 S11 LOG MAG REF 0.000 dB 5.000 dB/  
 CH2 S21 LOG MAG REF 0.000 dB 10.000 dB/



## CH1 MARKER LIST

Marker	Freq (GHz)	Magnitude (dB)
1	1.575000	-30.782
2	1.672500	-1.989
3	1.468000	-1.483
4	1.275000	-0.955
5	1.875000	-0.666

## CH2 MARKER LIST

Marker	Freq (GHz)	Magnitude (dB)
1	1.575000	-1.477
2	1.672500	-4.556
3	1.468000	-4.517
4	1.275000	-32.481
5	1.875000	-43.129