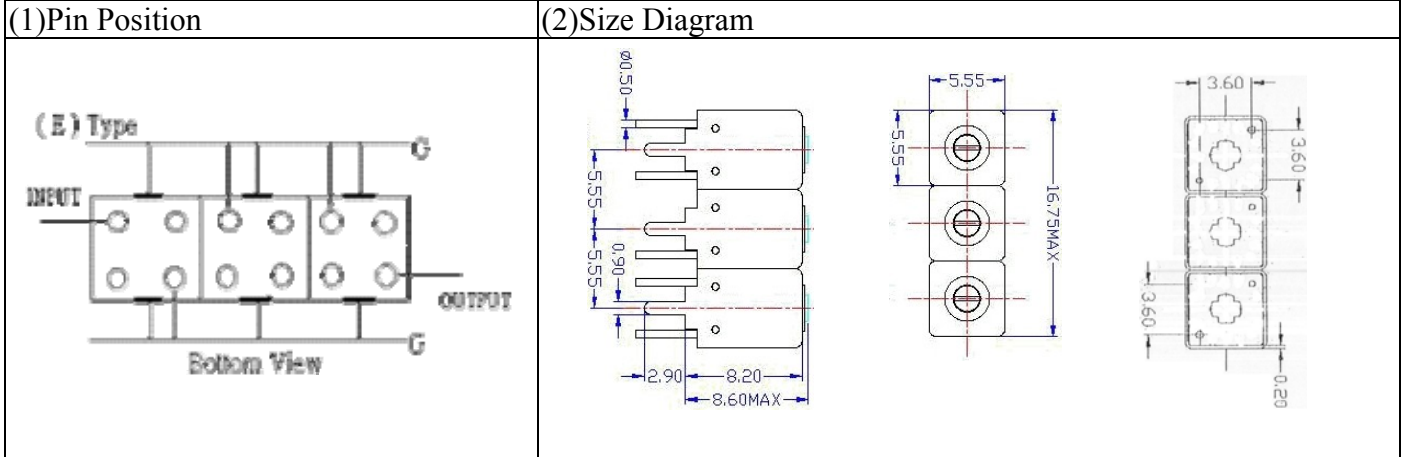


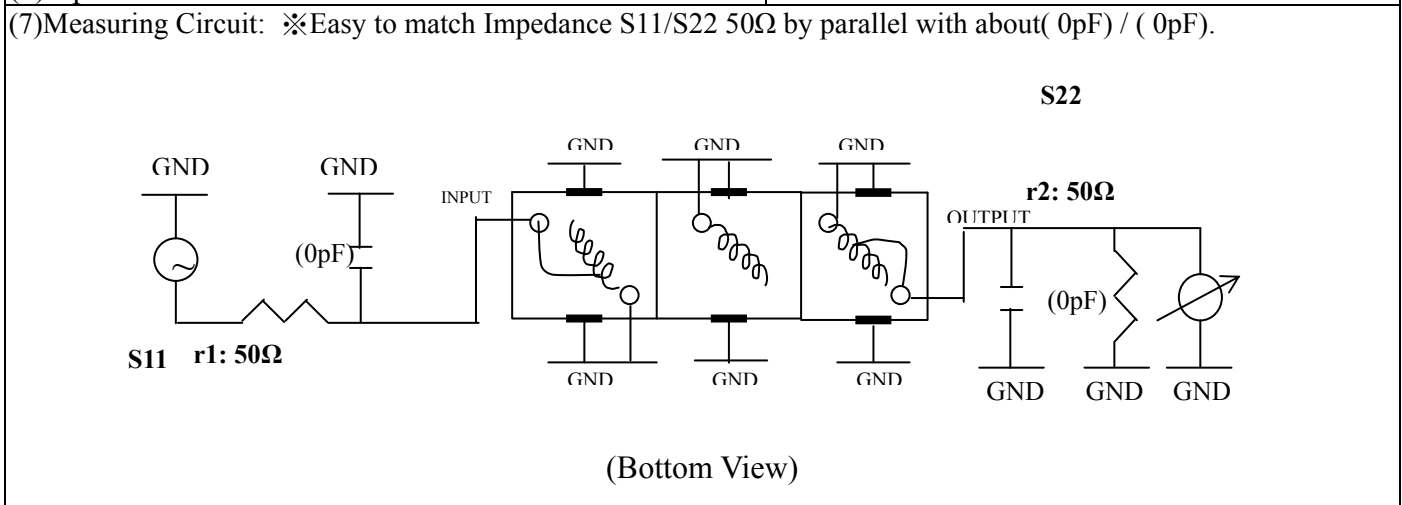
VHF UHF Helical Filter Specification Sheet

Customer Name		Temwell's Part No.	TTW3901E-1875M
Approval No. /dated	0807047CD	Temwell's Print Name.	3901E 1875M
Work Instruction No.	0807047CD	Date	Jul.29.2008



(3) Electric Characteristic		Specify	Performance
Center Freq.(Fo) +/- 0.5 %		1875 MHz	1875 MHz
Tunable Range:		1875±5 MHz	1875±5 MHz
Insertion Loss		Typ. 1.5 dB	1.14 dB
-3 dB Bandwidth		Typ. 217 MHz	232.6 MHz
Sensitivity (Attenuation)	Fo - 400 MHz	Typ. 39 dBc	42 dBc
	Fo + 400 MHz	Typ. 21 dBc	24 dBc
	Fo - ()MHz	Typ. dBc	dBc
	Fo + ()MHz	Typ. dBc	dBc
Return Loss		Min. 12 dB	22.8 dB
Ripple		< 1 dB	dB
Impedance		In / Out : 50 Ω	In / Out : 50 Ω

(4) Torque for Tuning Screw	> 60gf • cm
(5) Temperature Condition:	
Operating Temperature	0°C ~ +60°C
Storage Temperature	-20°C ~ +70°C
(6) Input Power	> 0.5Watt



Approval	Supervisor	Designer	Aperture size
C.Y.Chang	C.S.Chang	C.S.Chang	5W3S(3.8*5.1) 5HW046RB4.5

TEMWELL CORPORATION

Performance-TTW3901E-1875M

0807047CD



Ch1	Tr1	S11	>1	1.8750000	GHz	-22.881	dB
Ch1	Tr1	S11	2	1.9922030	GHz	-4.0687	dB
Ch1	Tr1	S11	3	1.7596830	GHz	-4.4349	dB
Ch1	Tr1	S11	4	1.4750000	GHz	-0.3569	dB
Ch1	Tr1	S11	5	2.2750000	GHz	-0.3928	dB
Ch1	Tr2	S21	1	1.8750000	GHz	-1.1469	dB
Ch1	Tr2	S21	2	1.9922030	GHz	-4.1316	dB
Ch1	Tr2	S21	3	1.7596830	GHz	-4.1354	dB
Ch1	Tr2	S21	4	1.4750000	GHz	-43.479	dB
Ch1	Tr2	S21	5	2.2750000	GHz	-25.246	dB