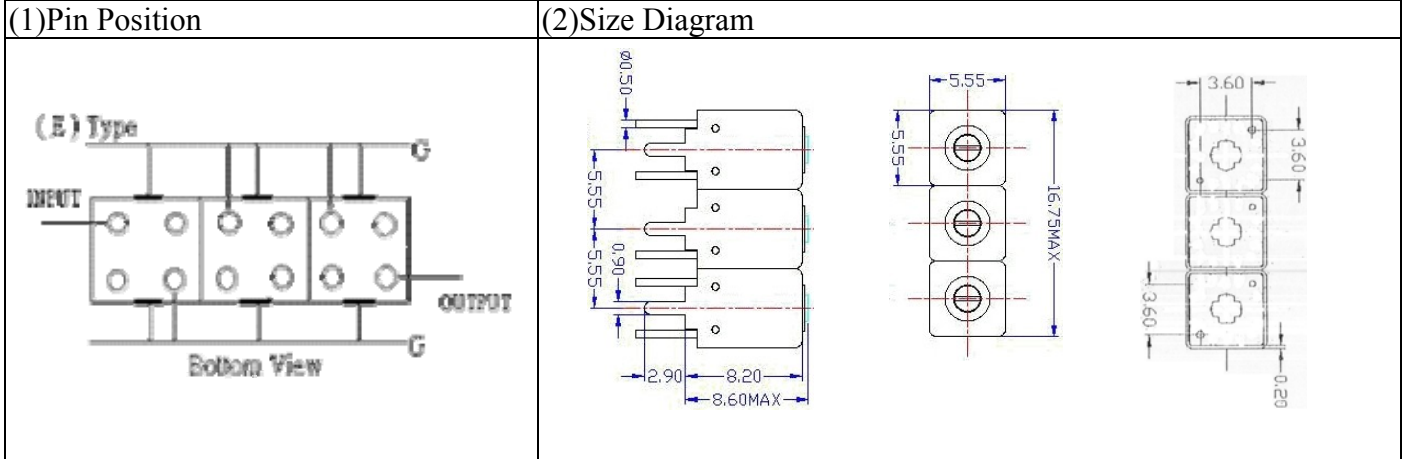


VHF UHF Helical Filter Specification Sheet

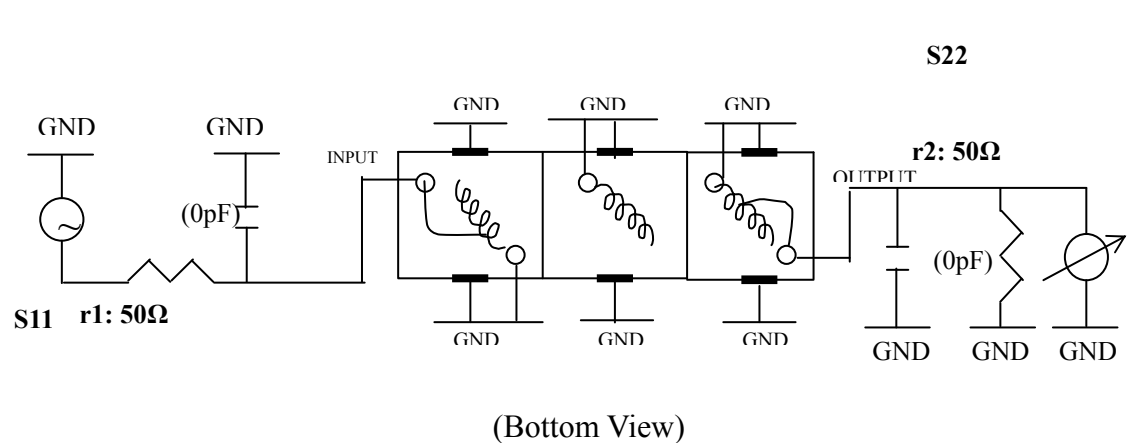
Customer Name		Temwell's Part No.	TTW3884E-1033M
Approval No. /dated	0804064APR	Acceptable Specift Fo Range	1001~1050MHz
Work Instruction No.	0804064CD	Date	Apr.29.2008



(3) Electric Chararistic

Item	Specify	Performance
Center Freq.(Fo) +/- 0.5 %	1033 MHz	1033 MHz
Tunable Range:	1033±5 MHz	1033±5 MHz
Insertion Loss	Typ. 2.5 dB	1.61 dB
-3 dB Bandwidth	Typ. 160 MHz	168 MHz
Sensitivity (Attenuation)	Fo - 300 MHz	Typ. 46 dB
	Fo + 300 MHz	Typ. 23 dB
	Fo - ()MHz	Typ. dB
	Fo +()MHz	Typ. dB
Return Loss	Min. 12 dB	20.9 dB
Ripple	< 1 dB	dB
Impedance	In / Out : 50 Ω	In / Out : 50 Ω
(4) Torque for Tuning Screw	> 60gf • cm	
(5) Temperature Condition:		
Operating Temperature	0°C ~ +60°C	
Storage Temperature	-20°C ~ +70°C	
(6) Input Power	> 0.5Watt	

(7) Measuring Circuit: ※Easy to match Impedance S11/S22 50Ω/ by parallel with about(0 pF) / (0 pF).

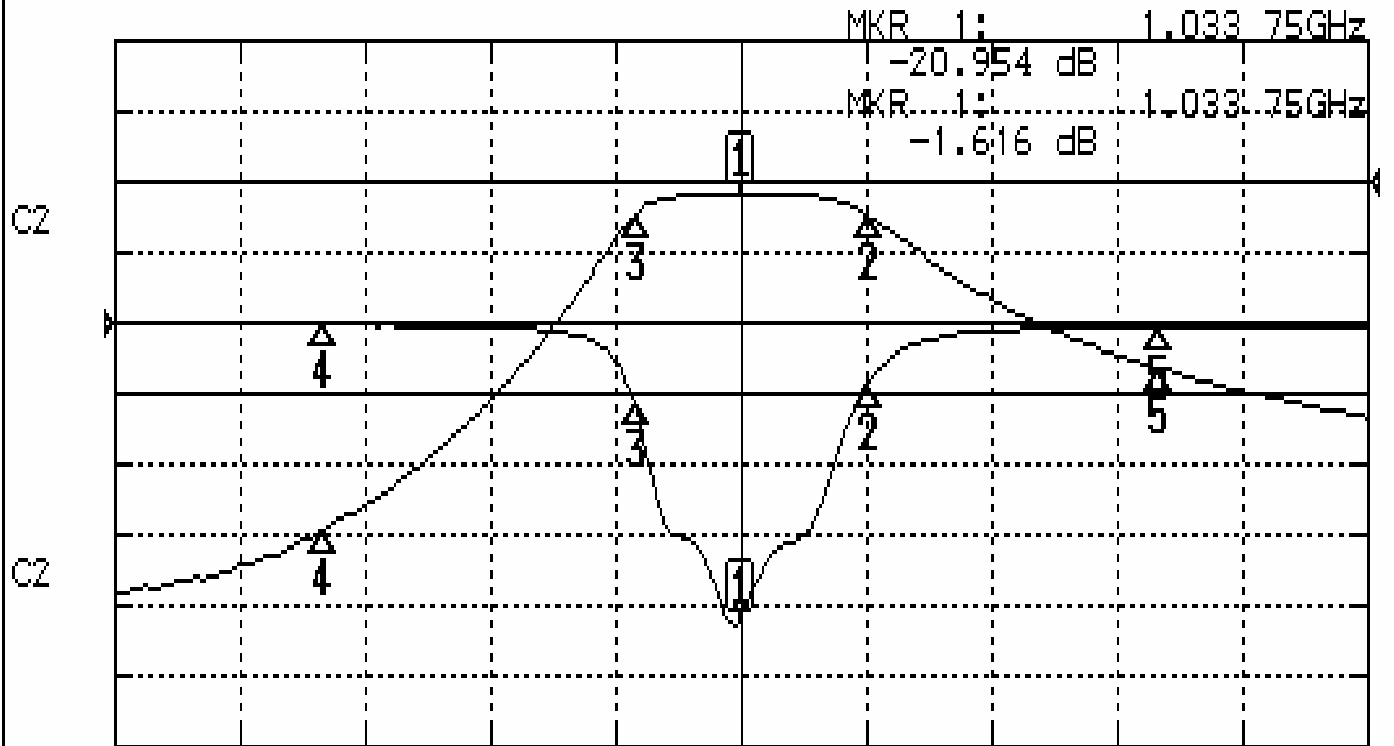


Approval	Supervisor	Designer	Aperture size
C.Y.Chang	C.S.Chang	P.H.Chiang	5W3(3.8*5.1) 5HW046RB4.5
TEMWELL CORPORATION			

Performance-TTW3884E-1033M

0804064CD

CH1 S11 LOG MAG REF 0.000 dB 5.000 dB/
CH2 S21 LOG MAG REF 0.000 dB 10.000 dB/



CENTER 1.033GHz

[10.00 dBm]

SPAN 900MHz

CH1 MARKER LIST

1:	1.033750GHz	-20.954 dB
2:	1.124500GHz	-4.317 dB
3:	956.500MHz	-5.576 dB
4:	733.000MHz	-0.108 dB
5:	1.333000GHz	-0.292 dB

CH2 MARKER LIST

1:	1.033750GHz	-1.616 dB
2:	1.124500GHz	-4.621 dB
3:	956.500MHz	-4.620 dB
4:	733.000MHz	-49.229 dB
5:	1.333000GHz	-26.384 dB