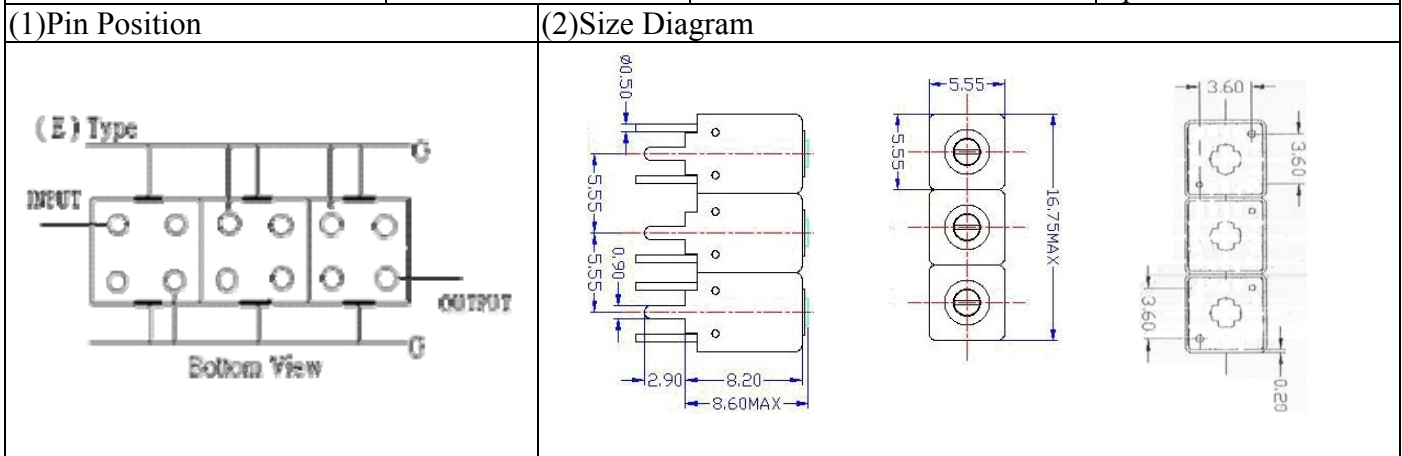


VHF UHF Helical Filter Specification Sheet

Customer Name		Temwell's Part No.	TTW3883E-1830M
Approval No. /dated	0804068APR	Acceptable Specift Fo Range	1801~1850MHz
Work Instruction No.	0804068CD	Date	Apr.30.2008



(3) Electric Chararistic

Item	Specify	Performance	
Center Freq.(Fo) +/- 0.5 %	1830 MHz	1830 MHz	
Tunable Range:	1830±5 MHz	1830±5 MHz	
Insertion Loss	Typ. 2.0 dB	1.37 dB	
-3 dB Bandwidth	Typ. 199 MHz	214.5 MHz	
Sensitivity (Attenuation)	Fo - 400 MHz	Typ. 25 dB	47 dB
	Fo + 400 MHz	Typ. 25 dB	26 dB
	Fo - ()MHz	Typ. dB	dB
	Fo +()MHz	Typ. dB	dB
Return Loss	Min. 12 dB	30.1 dB	
Ripple	< 1 dB	dB	
Impedance	In / Out : 50 Ω	In / Out : 50 Ω	
(4) Torque for Tuning Screw	> 60gf · cm		

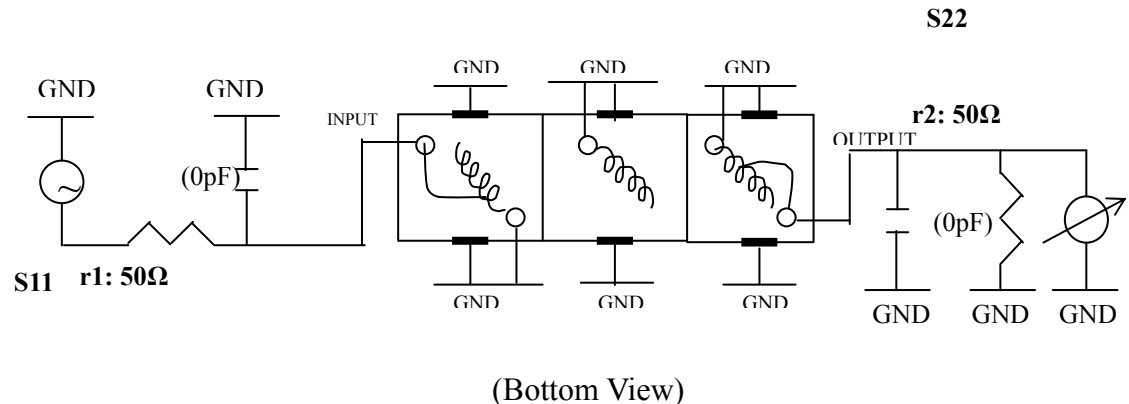
(5) Temperature Condition:

Operating Temperature	0°C ~ +60°C
Storage Temperature	-20°C ~ +70°C

(6) Input Power

> 0.5Watt

(7) Measuring Circuit: ※Easy to match Impedance S11/S22 50Ω/ by parallel with about(0 pF) / (0 pF).



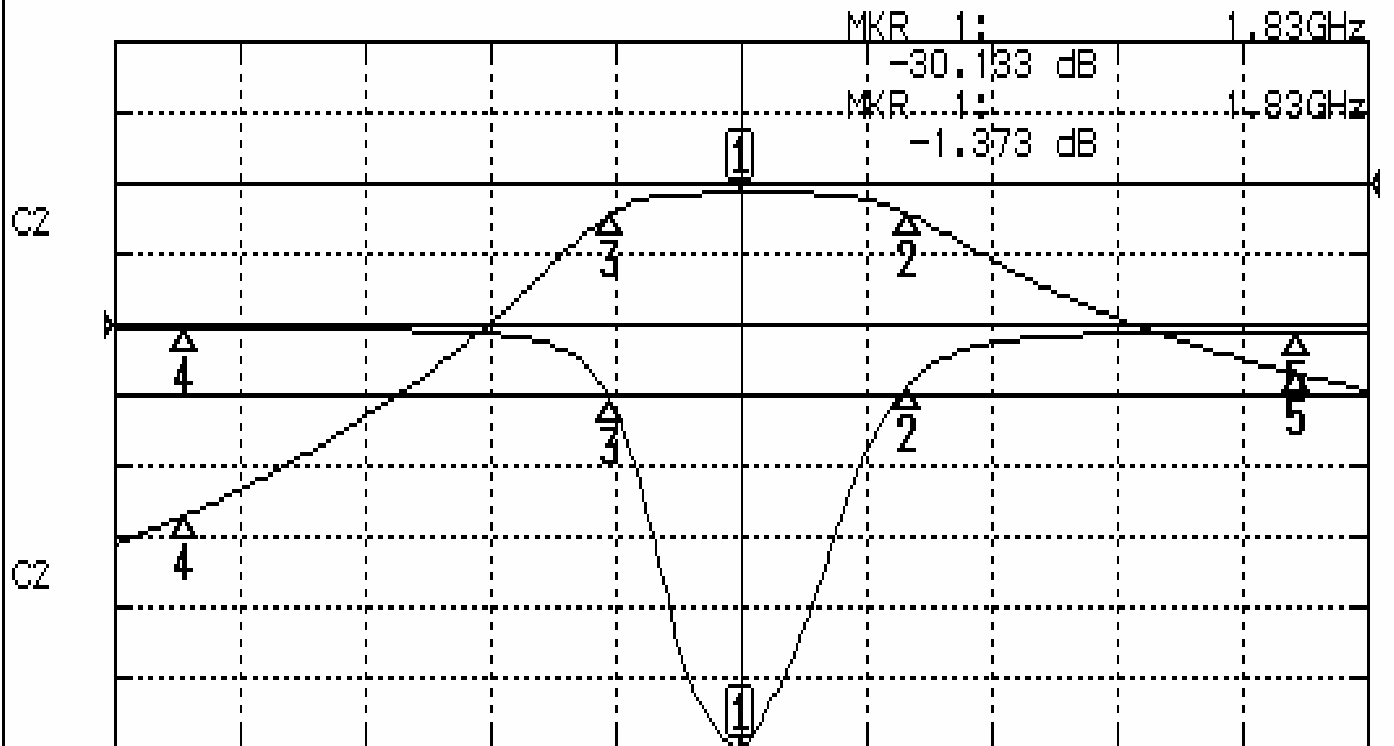
Approval	Supervisor	Designer	Aperture size
C.Y.Chang	C.S.Chang	P.H.Chiang	5W3(3.8*5.1) 5HW046RB4.5

TEMWELL CORPORATION

Performance-TTW3883E-1830M

0804068CD

CH1 S11 LOG MAG REF 0.000 dB 5.000 dB/
CH2 S21 LOG MAG REF 0.000 dB 10.000 dB/



CENTER 1.83GHz

[10.00 dBm]

SPAN 900MHz

CH1 MARKER LIST

Marker	Freq (GHz)	Magnitude (dB)
1	1.830 000	-30.133
2	1.950 000	-4.313
3	1.735 500	-5.234
4	1.430 000	-0.279
5	2.230 000	-0.495

CH2 MARKER LIST

Marker	Freq (GHz)	Magnitude (dB)
1	1.830 000	-1.373
2	1.950 000	-4.350
3	1.735 500	-4.398
4	1.430 000	-47.174
5	2.230 000	-26.955