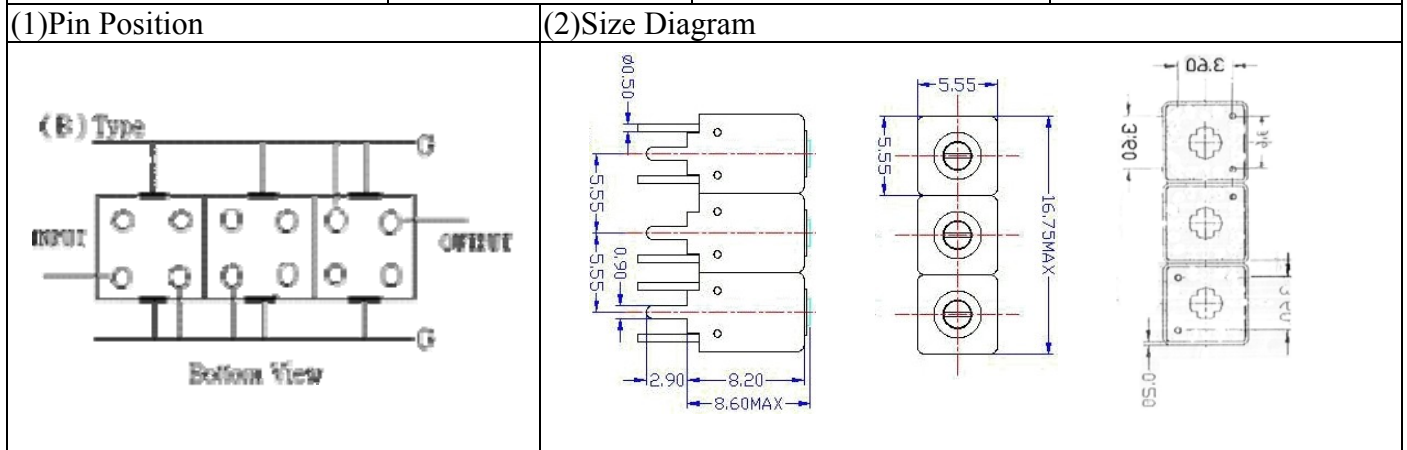


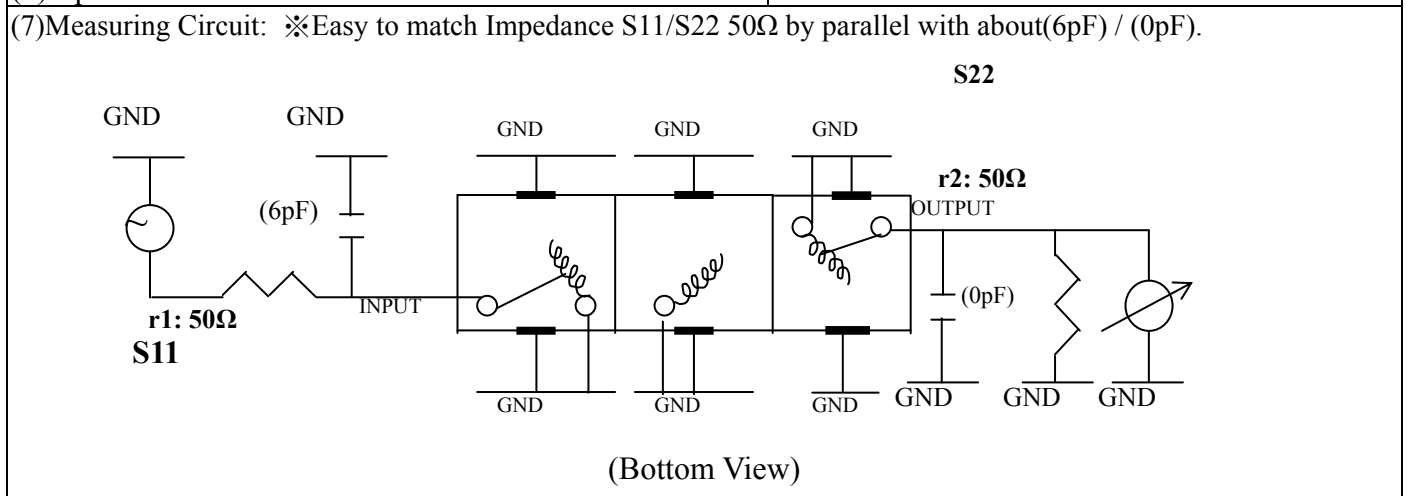
VHF UHF Helical Filter Specification Sheet

Customer Name		Temwell's Part No.	TTW3879B-1775M
Approval No. /dated	0705048APR	Temwell's Print Name.	3879B 1775M
Work Instruction No.	0705048B	Date	Jun.07.2007



(3) Electric Character			
Item	Specify		Performance
Center Freq.(Fo) +/- 0.5 %	1775	MHz	1775 MHz
Tunable Range:	1775±10	MHz	1775±10 MHz
Insertion Loss	Typ. 3.5	dB	2.83 dB
-3 dB Bandwidth	Typ. 20	MHz	35.8 MHz
Sensitivity (Attenuation)	Fo - 100 MHz	Typ. 25	dBc
	Fo + 100 MHz	Typ. 18	dBc
	Fo - ()MHz	Typ.	dBc
	Fo +()MHz	Typ.	dBc
Return Loss	Min. 12	dB	17.6 dB
Ripple	< 1	dB	dB
Impedance	In / Out : 50 Ω		In / Out : 50 Ω
(4) Torque for Tuning Screw	> 60gf • cm		

(5) Temperature Condition:	
Operating Temperature	0°C ~ +60°C
Storage Temperature	-20°C ~ +70°C
(6) Input Power	> 0.5Watt

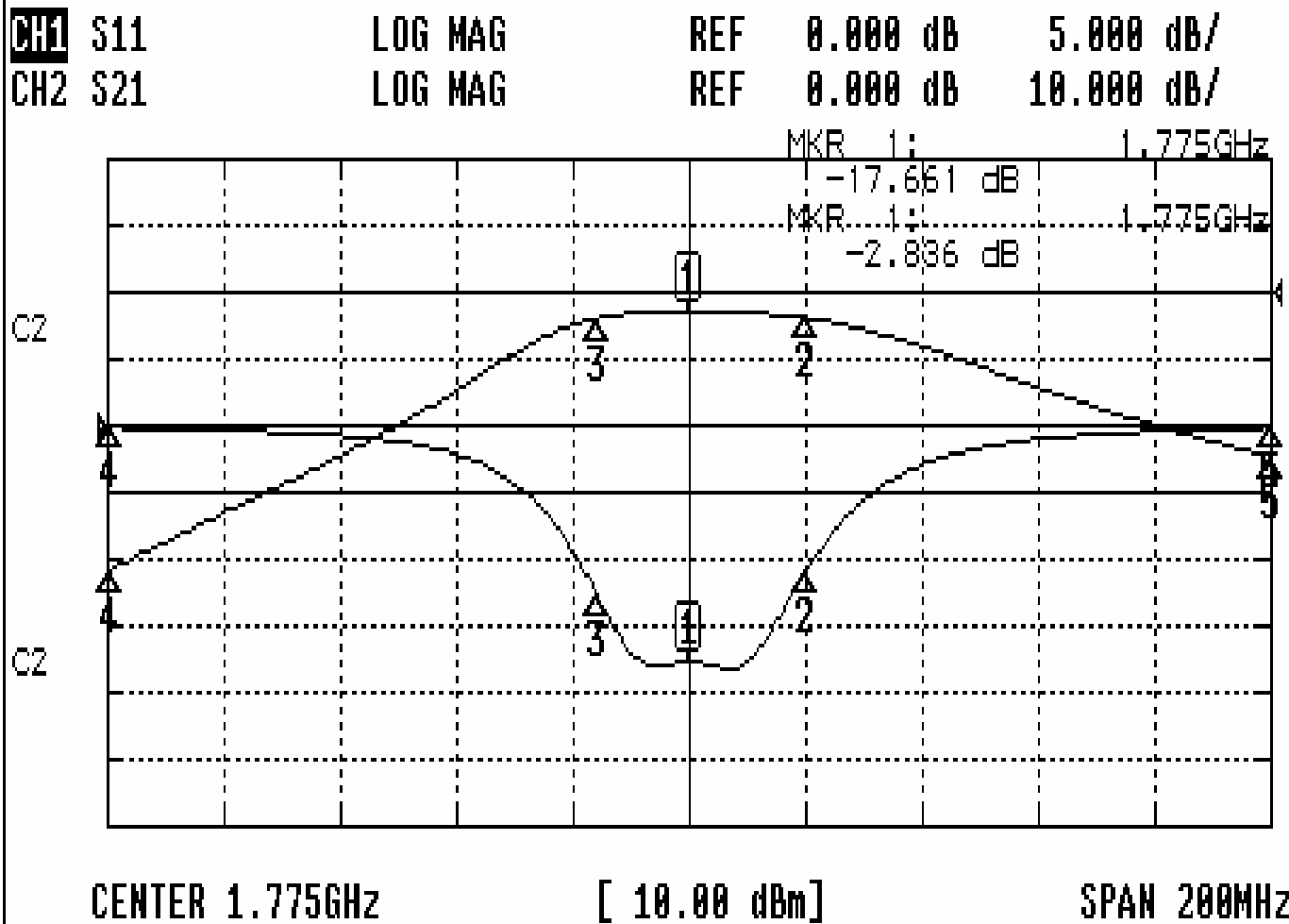


Approval C.Y.Chang	Supervisor C.S.Chang	Designer P.H.Chiang	Aperture size 5W3S(3.8*4.0) 5HW046RB3.2
-----------------------	-------------------------	------------------------	---

TEMWELL CORPORATION

Performance-TTW3879B-1775M

0705048B



CH1 MARKER LIST

1:	1.775	000GHz	-17.661	dB
2:	1.795	166GHz	-10.848	dB
3:	1.759	333GHz	-12.690	dB
4:	1.675	000GHz	-0.140	dB
5:	1.875	000GHz	-0.139	dB

CH2 MARKER LIST

1:	1.775	000GHz	-2.836	dB
2:	1.795	166GHz	-3.799	dB
3:	1.759	333GHz	-3.803	dB
4:	1.675	000GHz	-41.702	dB
5:	1.875	000GHz	-24.622	dB