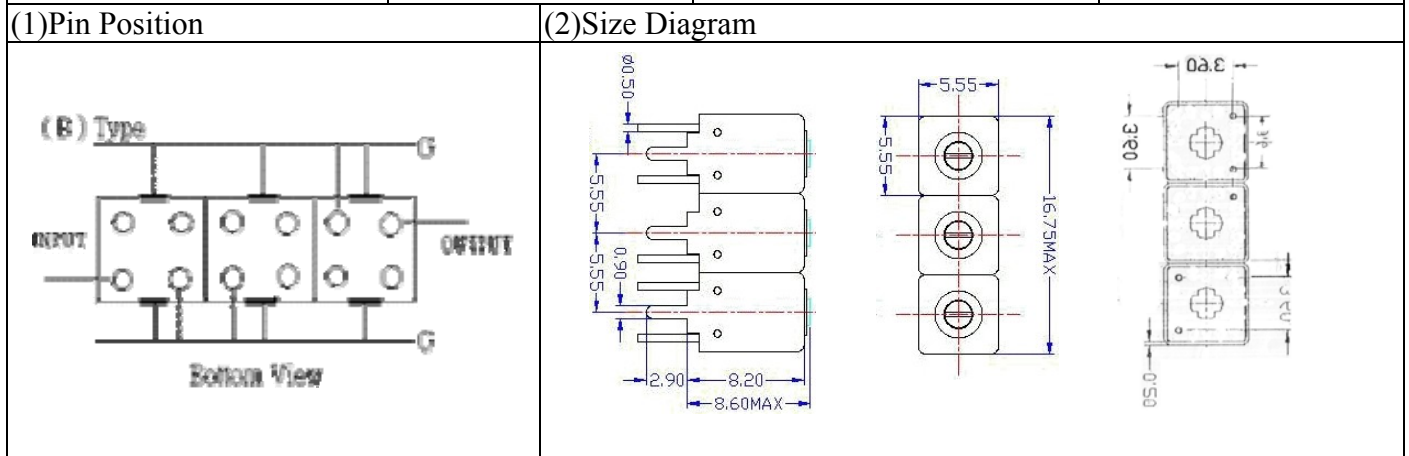
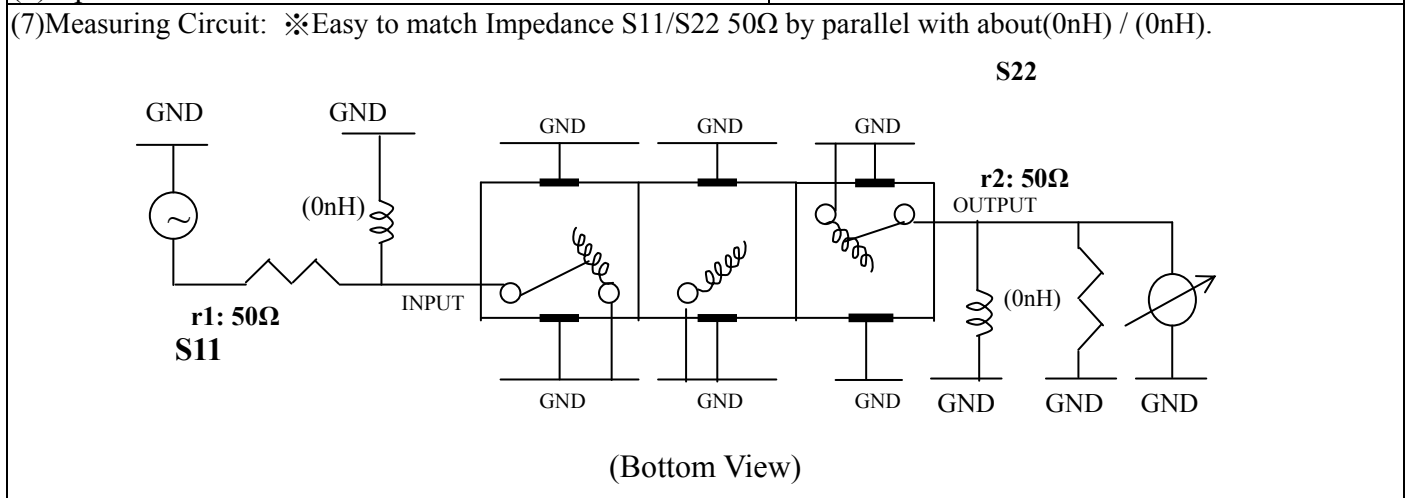


# VHF UHF Helical Filter Specification Sheet

Customer Name		Temwell's Part No.	TTW3877B-2416M
Approval No. /dated	0610075APR	Acceptable Specify Fo Range	2401-2450 MHz
Work Instruction No.	0610075DC	Date	Nov.15.2006



(3) Electric Character			
Item	Specify	Performance	
Center Freq.(Fo) +/- 0.5 %	2416 MHz	2416 MHz	
Tunable Range:	2416±5 MHz	2416±5 MHz	
Insertion Loss	Typ. 2.5 dB	1.29 dB	
-3 dB Bandwidth	Typ. 157 MHz	178 MHz	
Sensitivity (Attenuation)	Fo - 300 MHz	Typ. 27 dBc	30 dBc
	Fo + 300 MHz	Typ. 17 dBc	20 dBc
	Fo - ( )MHz	Typ. dBc	dBc
	Fo +( )MHz	Typ. dBc	dBc
Return Loss	Min. 12 dB	21.4 dB	
Ripple	< 1 dB	dB	
Impedance	In / Out : 50 Ω	In / Out : 50 Ω	
(4) Torque for Tuning Screw			
		> 60gf · cm	
(5) Temperature Condition:			
Operating Temperature		0°C ~ +60°C	
Storage Temperature		-20°C ~ +70°C	
(6) Input Power		> 0.5Watt	

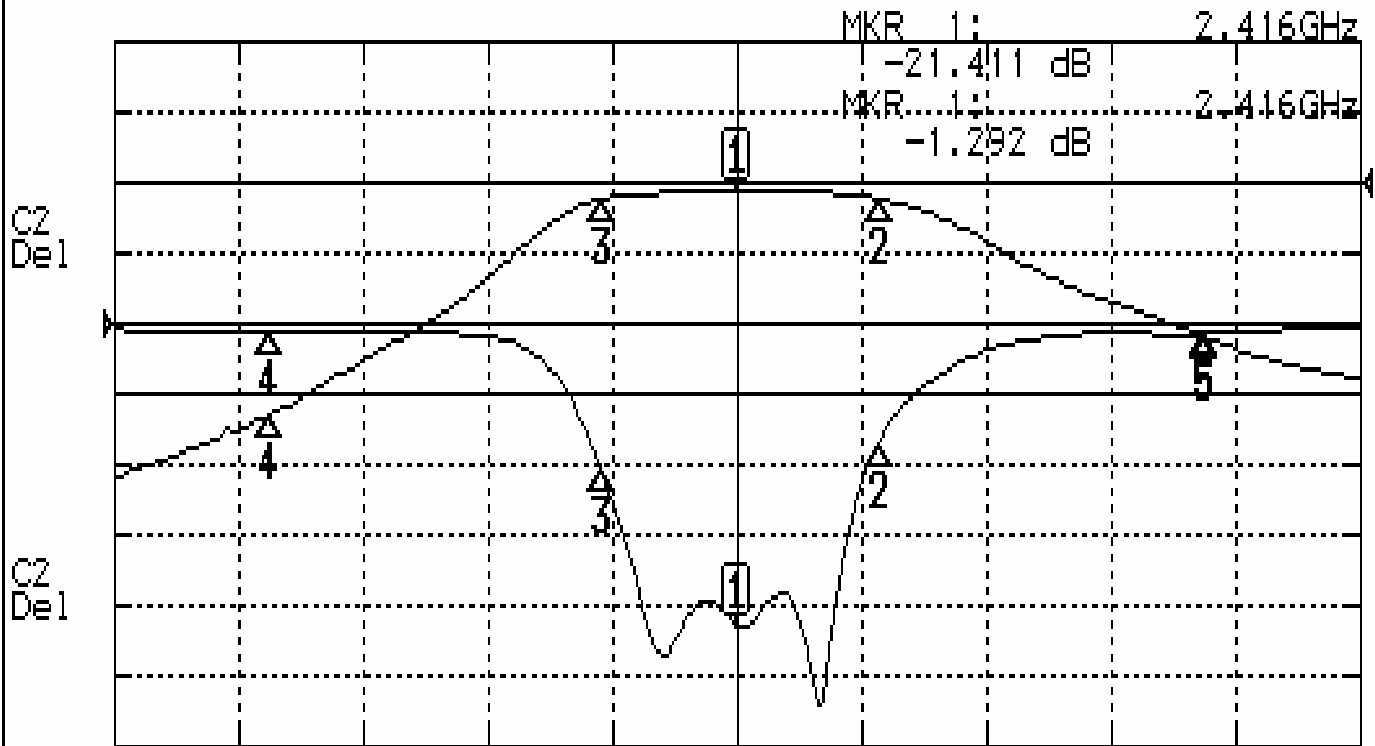


Approval	Supervisor	Designer	Aperture size
C.Y.Chang	C.S.Chang	C.S.Chang	5W3S(3.8*4.5)(4.64) 5HW046RB4
TEMWELL CORPORATION			

# Performance-TTW3877B-2416M

## 0610075DC

**CH1** S11                      LOG MAG                      REF   0.000 dB                      5.000 dB/  
**CH2** S21                      LOG MAG                      REF   0.000 dB                      10.000 dB/



CENTER 2.416GHz

[ 10.00 dBm ]

SPAN 800MHz

### CH1 MARKER LIST

1:	2.416	000GHz	-21.404	dB
2:	2.507	333GHz	-8.322	dB
3:	2.329	333GHz	-10.326	dB
4:	2.116	000GHz	-0.517	dB
5:	2.716	000GHz	-0.709	dB
6:				
7:				
8:				
9:				
10:				

### CH2 MARKER LIST

1:	2.416	000GHz	-1.292	dB
2:	2.507	333GHz	-2.301	dB
3:	2.329	333GHz	-2.272	dB
4:	2.116	000GHz	-32.936	dB
5:	2.716	000GHz	-21.846	dB
6:				
7:				
8:				
9:				
10:				