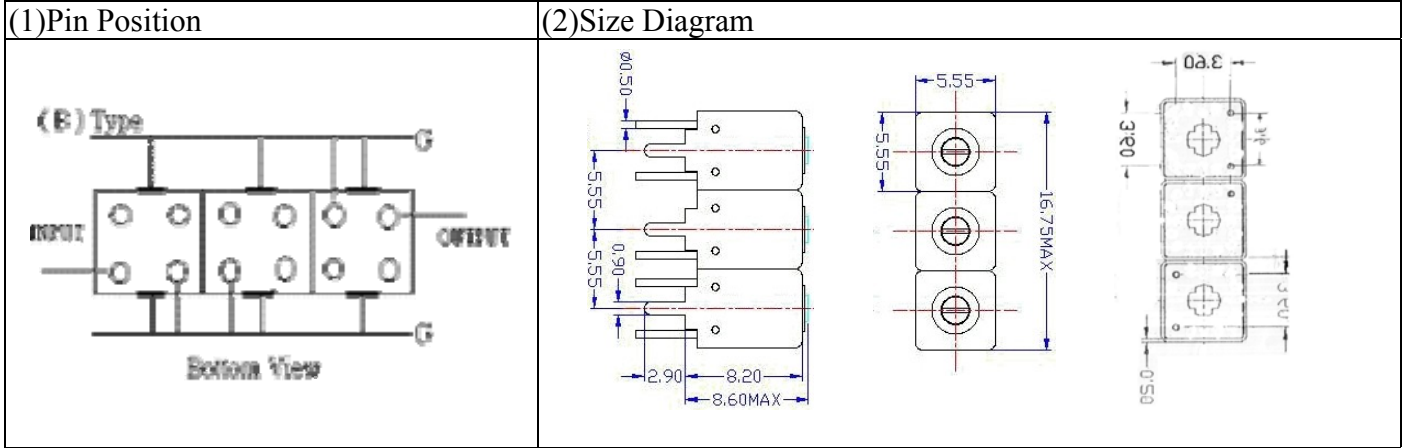


VHF UHF Helical Filter Specification Sheet

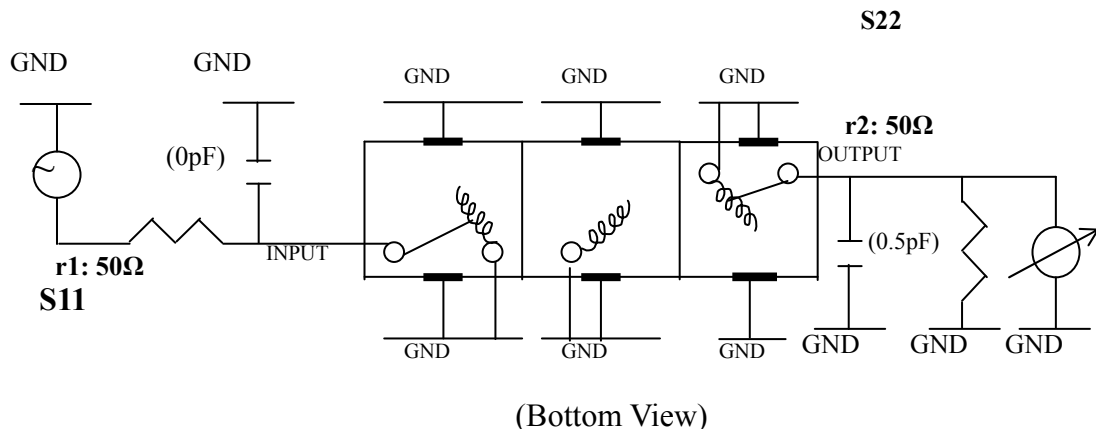
Customer Name		Temwell's Part No.	TTW3876B-2266M
Approval No. /dated	0610074APR	Acceptable Specify Fo Range	2251-2300 MHz
Work Instruction No.	0610074DC	Date	Nov.16.2006



(3) Electric Character			
Item		Specify	Performance
Center Freq.(Fo) +/- 0.5 %		2266 MHz	2266 MHz
Tunable Range:		2266±5 MHz	2266±5 MHz
Insertion Loss		Typ. 3.0 dB	1.81 dB
-1 dB Bandwidth		Typ.. 150 MHz	177.4 MHz
-3 dB Bandwidth		Typ.. 197 MHz	208 MHz
Sensitivity (Attenuation)	Fo - 300 MHz	Typ. 27 dBc	35 dBc
	Fo + 300 MHz	Typ. 16 dBc	22 dBc
	Fo - ()MHz	Typ. dBc	dBc
	Fo +()MHz	Typ. dBc	dBc
Return Loss		Min. 12 dB	20.3 dB
Ripple		< 1 dB	dB
Impedance		In / Out : 50 Ω	In / Out : 50 Ω
(4) Torque for Tuning Screw		> 60gf · cm	

(5) Temperature Condition:	
Operating Temperature	0°C ~ +60°C
Storage Temperature	-20°C ~ +70°C
(6) Input Power	> 0.5Watt

(7) Measuring Circuit: ※Easy to match Impedance S11/S22 50Ω by parallel with about(0pF) / (0.5.pF).



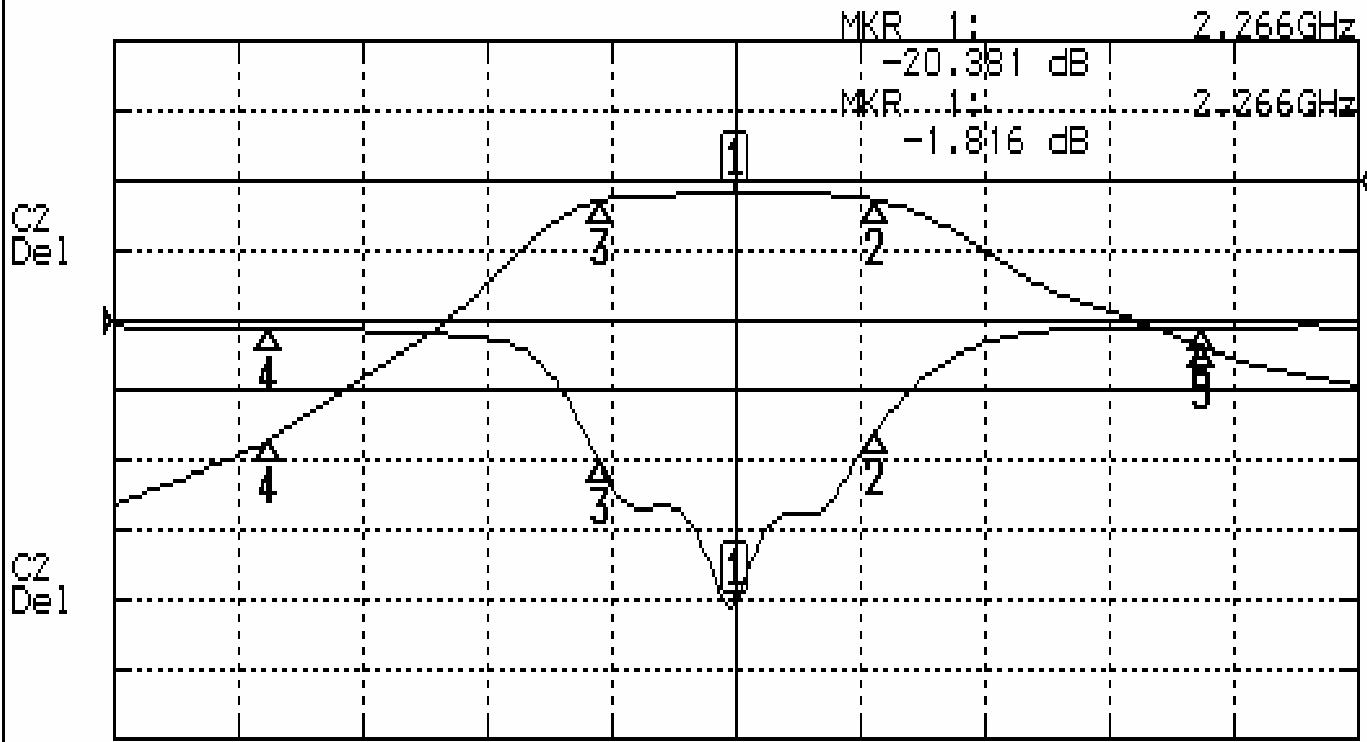
Approval	Supervisor	Designer	Aperture size
C.Y.Chang	C.S.Chang	C.S.Chang	5W3, 3.8*5.1(5.12) 5HW046RB4

TEMWELL CORPORATION

Performance-TTW3876B-2266M

0610074DC

CH1 S11 LOG MAG REF 0.000 dB 5.000 dB/
CH2 S21 LOG MAG REF 0.000 dB 10.000 dB/



CENTER 2.266GHz

[10.00 dBm]

SPAN 800MHz

CH1 MARKER LIST

1:	2.266	000GHz	-20.381	dB
2:	2.356	000GHz	-10.024	dB
3:	2.178	666GHz	-10.264	dB
4:	1.966	000GHz	-0.530	dB
5:	2.566	000GHz	-0.668	dB

CH2 MARKER LIST

1:	2.266	000GHz	-1.816	dB
2:	2.356	000GHz	-2.020	dB
3:	2.178	666GHz	-2.017	dB
4:	1.966	000GHz	-3.983	dB
5:	2.566	000GHz	-23.792	dB