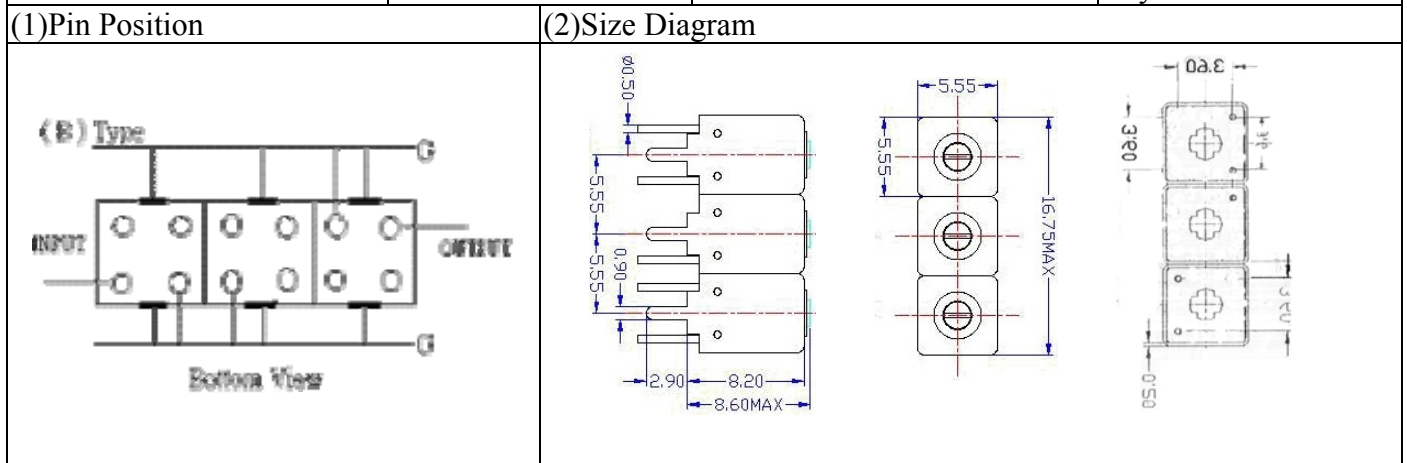
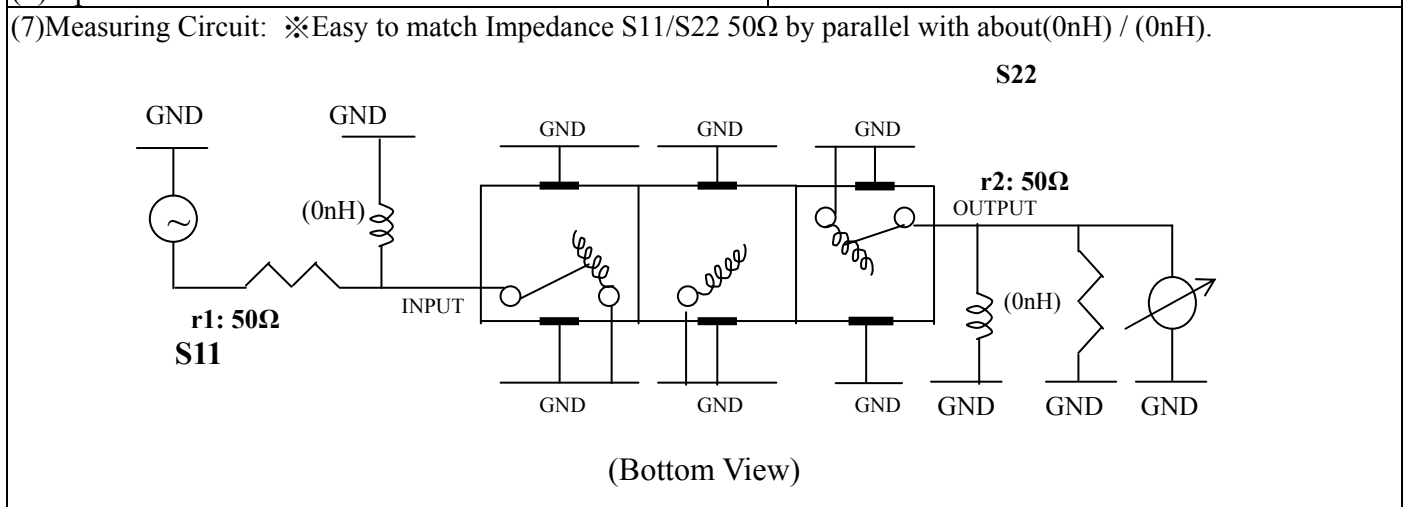


# VHF UHF Helical Filter Specification Sheet

Customer Name		Temwell's Part No.	TTW3875B-2583M
Approval No. /dated	0610073DC	Acceptable Specify Fo Range	2501-2600 MHz
Work Instruction No.	0610073DC	Date	July.24.2008



(3) Electric Character			
Item		Specify	Performance
Center Freq.(Fo) +/- 0.5 %		2583 MHz	2583 MHz
Tunable Range:		2583±5 MHz	2583±5 MHz
Insertion Loss		Typ. 2.5 dB	1.51 dB
-3 dB Bandwidth		Typ. 135 MHz	156.0 MHz
Sensitivity (Attenuation)	Fo - 300 MHz	Typ. 32 dBc	35 dBc
	Fo + 300 MHz	Typ. 17 dBc	20 dBc
	Fo - ( )MHz	Typ. dBc	dBc
	Fo +( )MHz	Typ. dBc	dBc
Return Loss		Min. 12 dB	22.1 dB
Ripple		< 1 dB	dB
Impedance		In / Out : 50 Ω	In / Out : 50 Ω
(4) Torque for Tuning Screw		>60gf • cm	
(5) Temperature Condition:			
Operating Temperature		0°C ~ +60°C	
Storage Temperature		-20°C ~ +70°C	
(6) Input Power		> 0.5Watt	



Approval	Supervisor	Designer	Aperture size
C.Y.Chang	C.S.Chang	J.F.Lin	5W3S(3.8*4.5) 5HW046RB4

TEMWELL CORPORATION

TEMWELL

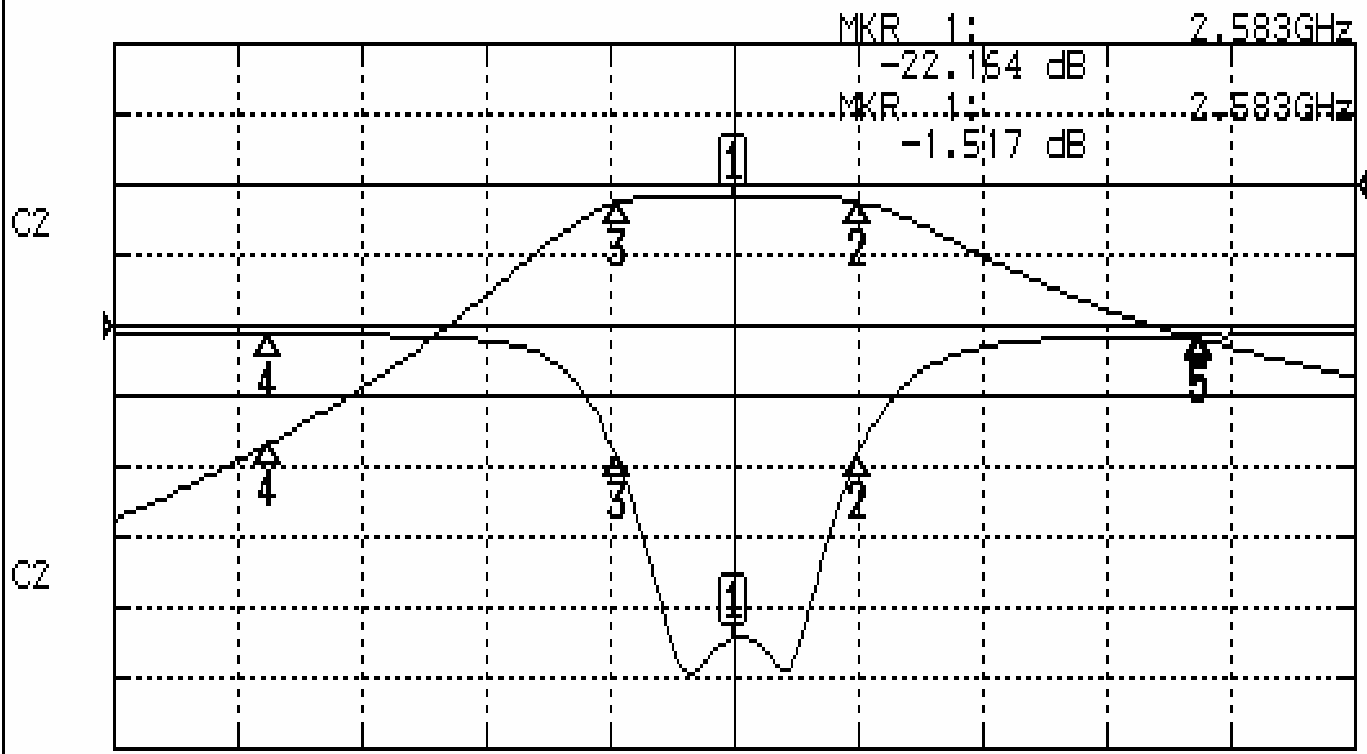
Form10-5W3B Vision D

RP(J.F.Lin)

# Performance-TTW3875B-2583M

## 0610073DC

CH1 S11 LOG MAG REF 0.000 dB 5.000 dB/  
 CH2 S21 LOG MAG REF 0.000 dB 10.000 dB/



CENTER 2.583GHz

[ 10.00 dBm ]

SPAN 800MHz

### CH1 MARKER LIST

1:	2.583	000GHz	-22.164	dB
2:	2.663	666GHz	-9.085	dB
3:	2.507	666GHz	-9.372	dB
4:	2.283	000GHz	-0.625	dB
5:	2.883	000GHz	-0.726	dB
6:				
7:				
8:				
9:				
10:				

### CH2 MARKER LIST

1:	2.583	000GHz	-1.517	dB
2:	2.663	666GHz	-2.531	dB
3:	2.507	666GHz	-2.566	dB
4:	2.283	000GHz	-36.681	dB
5:	2.883	000GHz	-21.912	dB
6:				
7:				
8:				
9:				
10:				