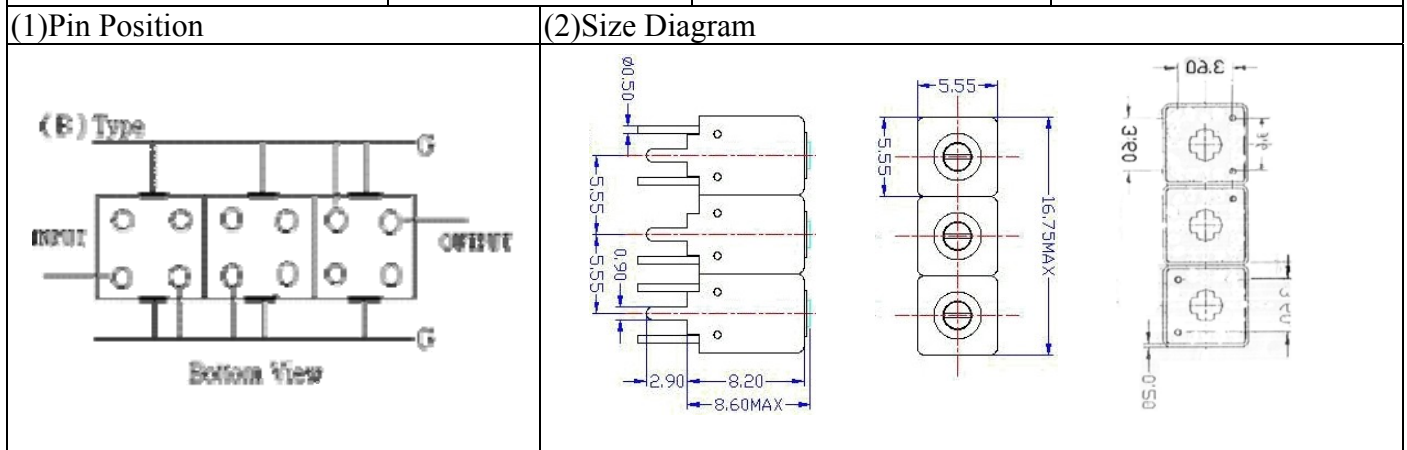


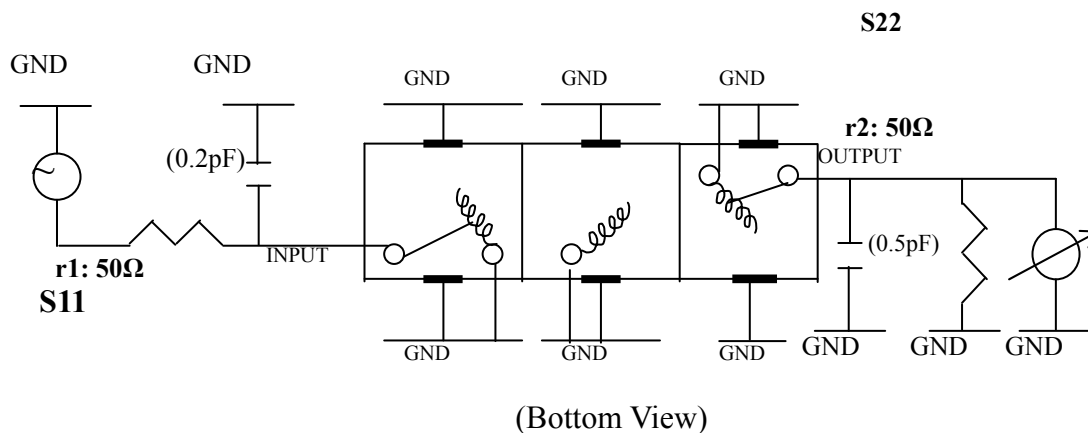
VHF UHF Helical Filter Specification Sheet

Customer Name		Temwell's Part No.	TTW3874B-2101M
Approval No. /dated	0610072APR	Acceptable Specify Fo Range	2101-2150 MHz
Work Instruction No.	0610072DC	Date	Nov.16.2006



(3) Electric Character			
Item		Specify	Performance
Center Freq.(Fo) +/- 0.5 %		2101 MHz	2101 MHz
Tunable Range:		2101±5 MHz	2101±5 MHz
Insertion Loss		Typ. 3.0 dB	2.19 dB
-1 dB Bandwidth		Typ.. 140 MHz	150.6 MHz
-3 dB Bandwidth		Typ.. 190 MHz	200 MHz
Sensitivity (Attenuation)	Fo - 300 MHz	Typ. 39 dBc	42 dBc
	Fo + 300 MHz	Typ. 21 dBc	24 dBc
	Fo - ()MHz	Typ. dBc	dBc
	Fo +()MHz	Typ. dBc	dBc
Return Loss		Min. 12 dB	17.5 dB
Ripple		< 1 dB	dB
Impedance		In / Out : 50 Ω	In / Out : 50 Ω
(4) Torque for Tuning Screw		> 60gf · cm	
(5) Temperature Condition:			
Operating Temperature		-0°C ~ +60°C	
Storage Temperature		-20°C ~ +70°C	
(6) Input Power		> 0.5Watt	

(7) Measuring Circuit: ※Easy to match Impedance S11/S22 50Ω by parallel with about(0.2pF) / (0.5.pF).



Approval	Supervisor	Designer	Aperture size
C.Y.Chang	C.S.Chang	C.S.Chang	5W3, 3.8*5.1(5.12) 5HW046RB4

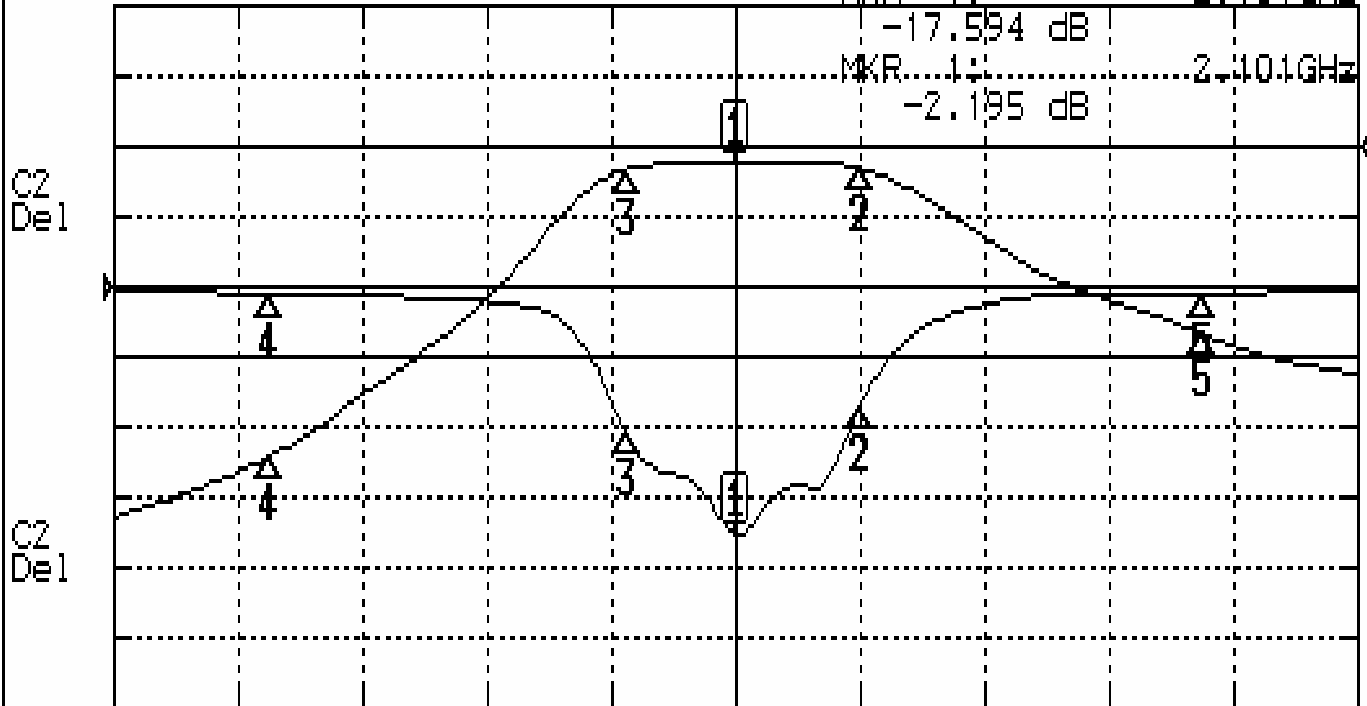
TEMWELL CORPORATION

Performance-TTW3874B-2101M

0610072DC

CH1 S11 LOG MAG REF 0.000 dB 5.000 dB/
CH2 S21 LOG MAG REF 0.000 dB 10.000 dB/

MKR 1: 2.101GHz



CENTER 2.101GHz

[10.00 dBm]

SPAN 800MHz

CH1 MARKER LIST

1:	2.101	000GHz	-17.594	dB
2:	2.181	666GHz	-8.470	dB
3:	2.031	000GHz	-10.512	dB
4:	1.801	000GHz	-0.472	dB
5:	2.401	000GHz	-0.616	dB

CH2 MARKER LIST

1:	2.101	000GHz	-2.195	dB
2:	2.181	666GHz	-3.190	dB
3:	2.031	000GHz	-3.206	dB
4:	1.801	000GHz	-44.187	dB
5:	2.401	000GHz	-26.707	dB