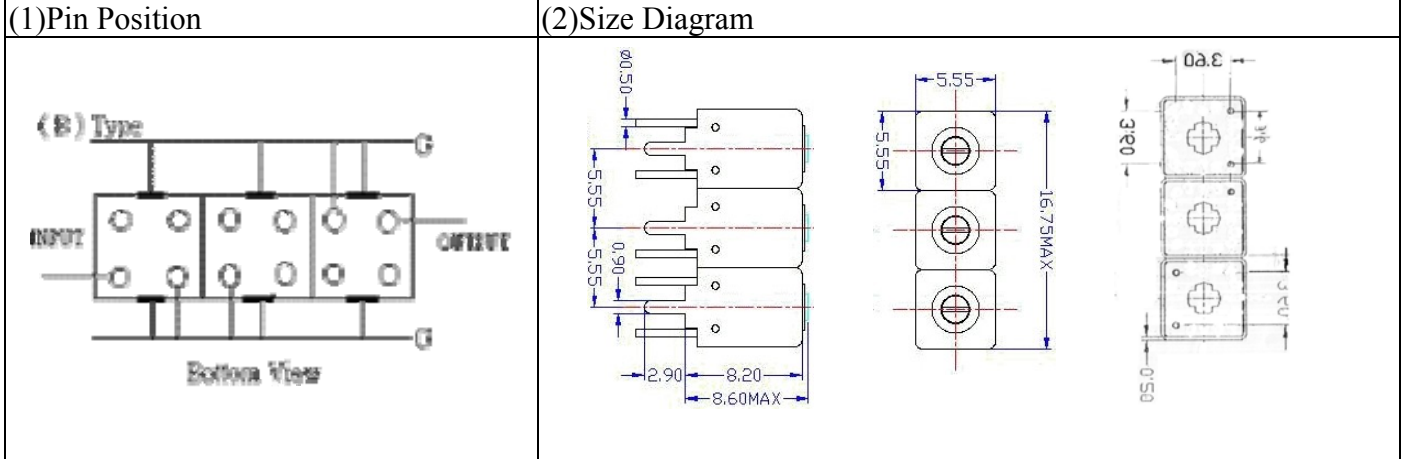
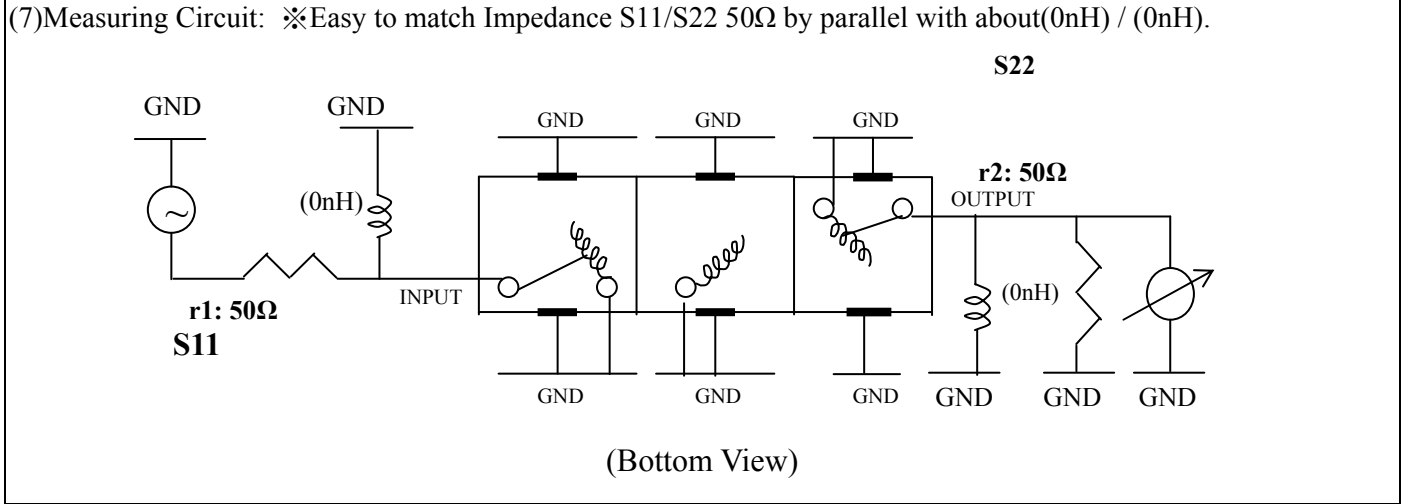


# VHF UHF Helical Filter Specification Sheet

Customer Name		Temwell's Part No.	TTW3873B-2250M
Approval No. /dated	0608021APR	Acceptable Fo Specify Range	2201-.2250MHz
Work Instruction No.	0608021DB	Date	Aug.21.2006



(3) Electric Character			
Item	Specify	Performance	
Center Freq.(Fo) +/- 0.5 %	2250 MHz	2250 MHz	
Tunable Range:	2250±5 MHz	2250±5 MHz	
Insertion Loss	Typ. 3.5 dB	2.35 dB	
-3 dB Bandwidth	Typ. 100 MHz	118.5 MHz	
Sensitivity (Attenuation)	Fo - 200 MHz	Typ. 29 dBc	32 dBc
	Fo + 200 MHz	Typ. 18 dBc	21 dBc
	Fo - ( )MHz	Typ. dBc	dBc
	Fo +( )MHz	Typ. dBc	dBc
Return Loss	Min. 12 dB	29.3 dB	
Ripple	< 1 dB	dB	
Impedance	In / Out : 50 Ω	In / Out : 50 Ω	
(4) Torque for Tuning Screw	> 60gf • cm		
(5) Temperature Condition:			
Operating Temperature	0°C ~ +60°C		
Storage Temperature	-20°C ~ +70°C		
(6) Input Power	> 0.5Watt		

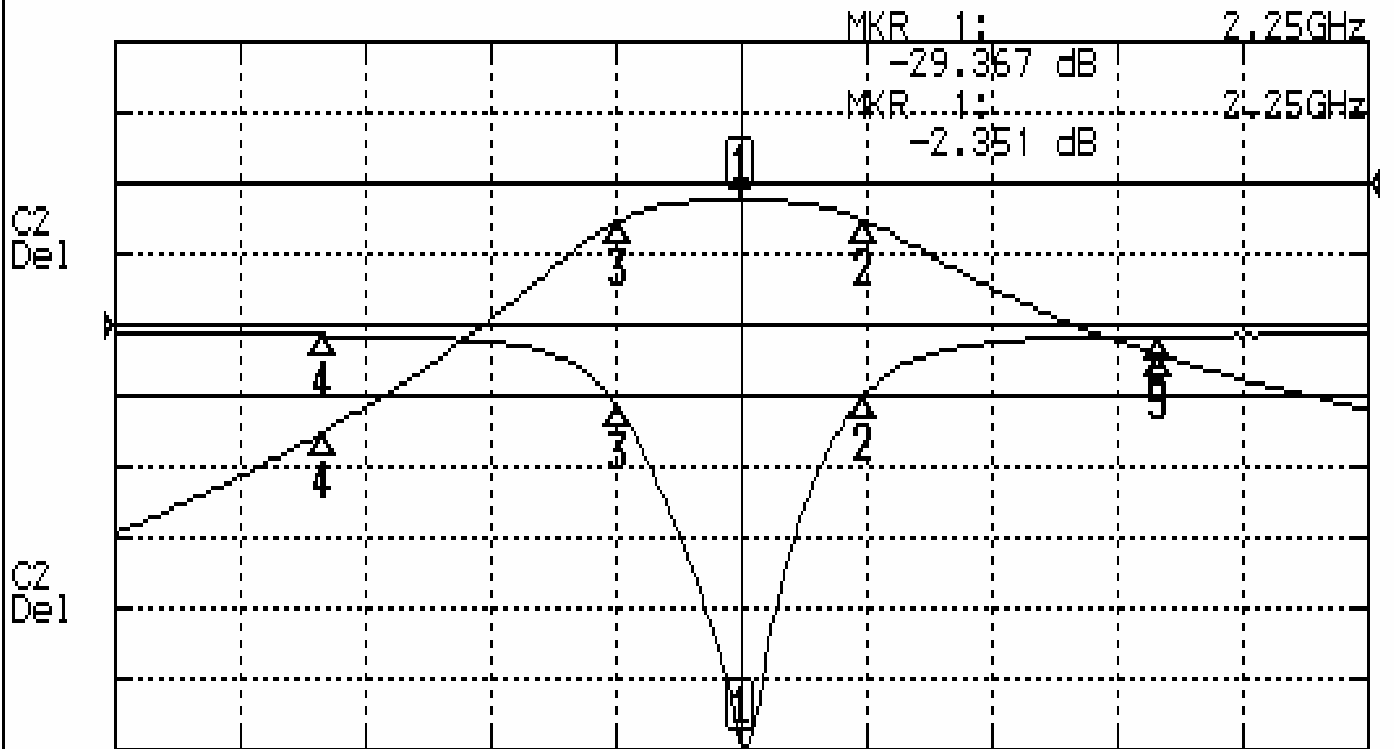


Approval	Supervisor	Designer	Aperture size
C.Y.Chang	C.S.Chang	C.S.Chang	5W3S(3.8*4.0)(4.07) 5HW046RB4

# Performance-TTW3873B-2250M

## 0608021DB

**CH1** S11                      LOG MAG                      REF    0.000 dB            5.000 dB/  
**CH2** S21                      LOG MAG                      REF    0.000 dB            10.000 dB/



CENTER 2.25GHz

[ 10.00 dBm]

SPAN 600MHz

### CH1 MARKER LIST

1:	2.250	000GHz	-29.367	dB
2:	2.309	500GHz	-4.911	dB
3:	2.191	000GHz	-5.756	dB
4:	2.050	000GHz	-0.733	dB
5:	2.450	000GHz	-0.769	dB

10:

### CH2 MARKER LIST

1:	2.250	000GHz	-2.351	dB
2:	2.309	500GHz	-5.377	dB
3:	2.191	000GHz	-5.365	dB
4:	2.050	000GHz	-35.078	dB
5:	2.450	000GHz	-24.286	dB

10: