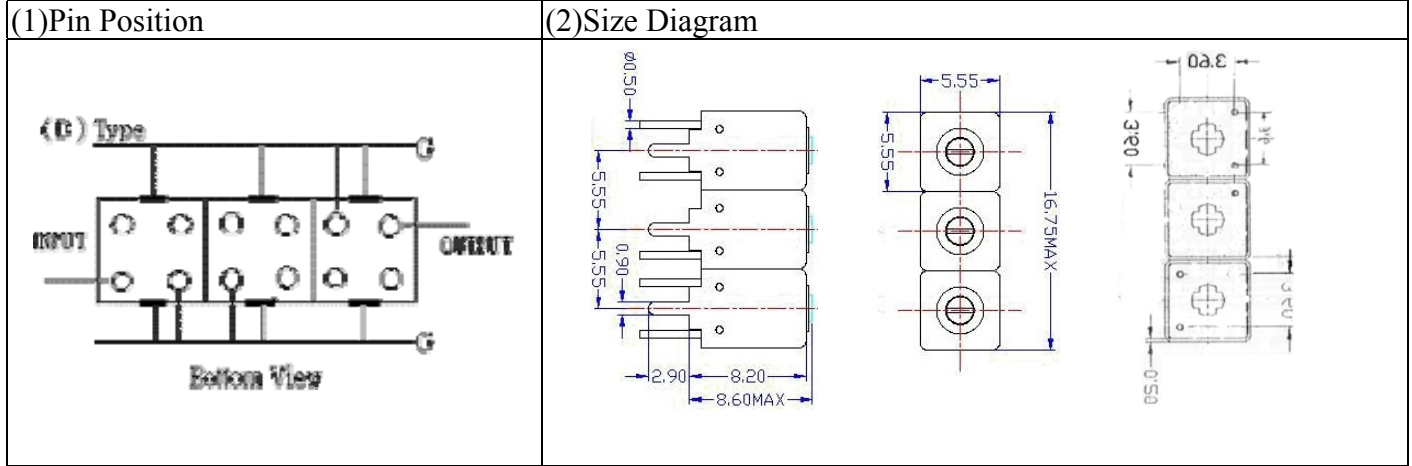


# VHF UHF Helical Filter Specification Sheet

Customer Name		Temwell's Part No.	TTW3872B-2300M
Approval No. /dated	0606052APR	Acceptable Specify Fo Range	2251-2300 MHz
Work Instruction No.	0606052DC	Date	Jun.23.2006



(3) Electric Character

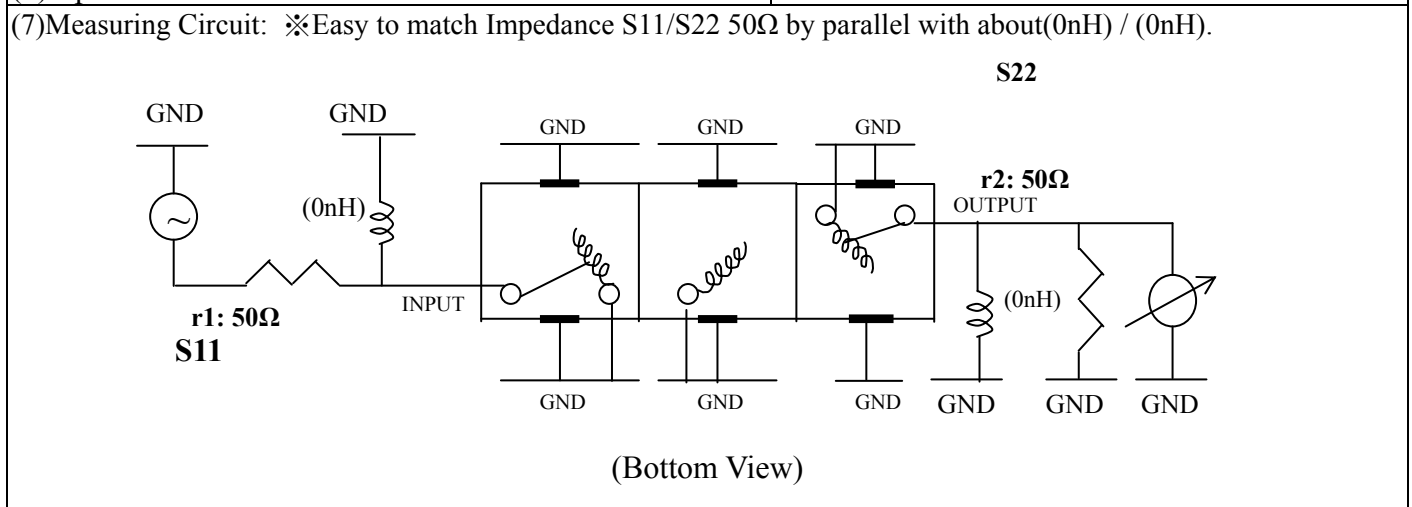
Item	Specify	Performance
Center Freq.(Fo) +/- 0.5 %	2300 MHz	2300 MHz
Tunable Range:	2300±5 MHz	2300±5 MHz
Insertion Loss	Typ. 2.0 dB	1.27 dB
-3 dB Bandwidth	Typ. 200 MHz	217.3 MHz
Sensitivity (Attenuation)	Fo - 300 MHz	Typ. 31 dBc
	Fo + 300 MHz	Typ. 18 dBc
	Fo - ( )MHz	Typ. dBc
	Fo +( )MHz	Typ. dBc
Return Loss	Min. 12 dB	21.6 dB
Ripple	< 1 dB	
Impedance	In / Out : 50 Ω	In / Out : 50 Ω

(4) Torque for Tuning Screw > 60gf · cm

(5) Temperature Condition:

Operating Temperature	0°C ~ +60°C
Storage Temperature	-20°C ~ +70°C

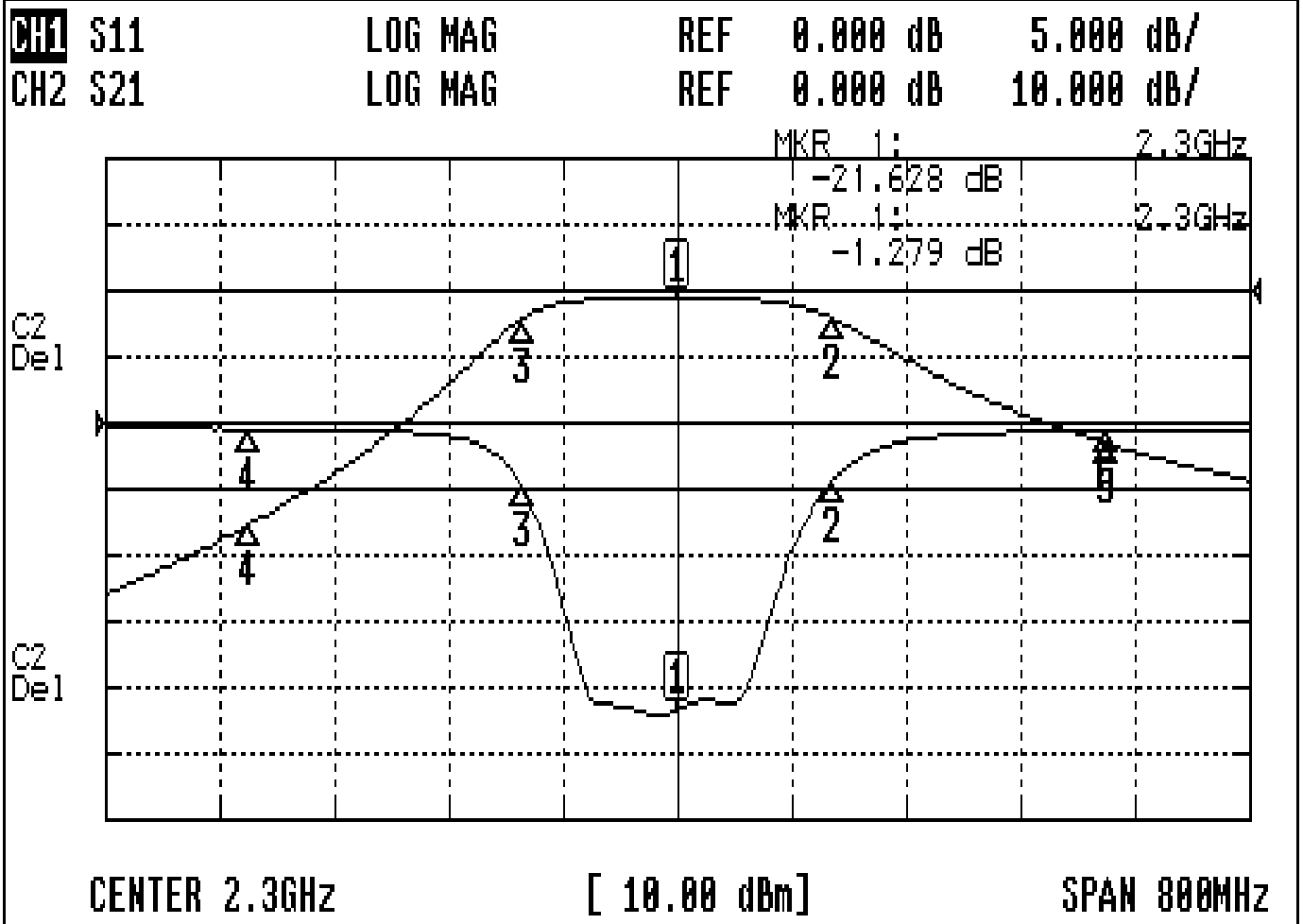
(6) Input Power > 0.5Watt



Approval	Supervisor	Designer	Aperture size
C.Y.Chang	C.S.Chang	C.S.Chang	5W3S(3.8*5.1)(5.12) 5HW046RB4

# Performance-TTW3872B-2300M

## 0606052DC



### CH1 MARKER LIST

Marker	Freq (GHz)	Magnitude (dB)
1:	2.300 000	-21.628
2:	2.408 666	-4.317
3:	2.191 333	-4.753
4:	2.000 000	-0.457
5:	2.600 000	-0.616

### CH2 MARKER LIST

Marker	Freq (GHz)	Magnitude (dB)
1:	2.300 000	-1.279
2:	2.408 666	-4.227
3:	2.191 333	-4.280
4:	2.000 000	-35.381
5:	2.600 000	-23.095