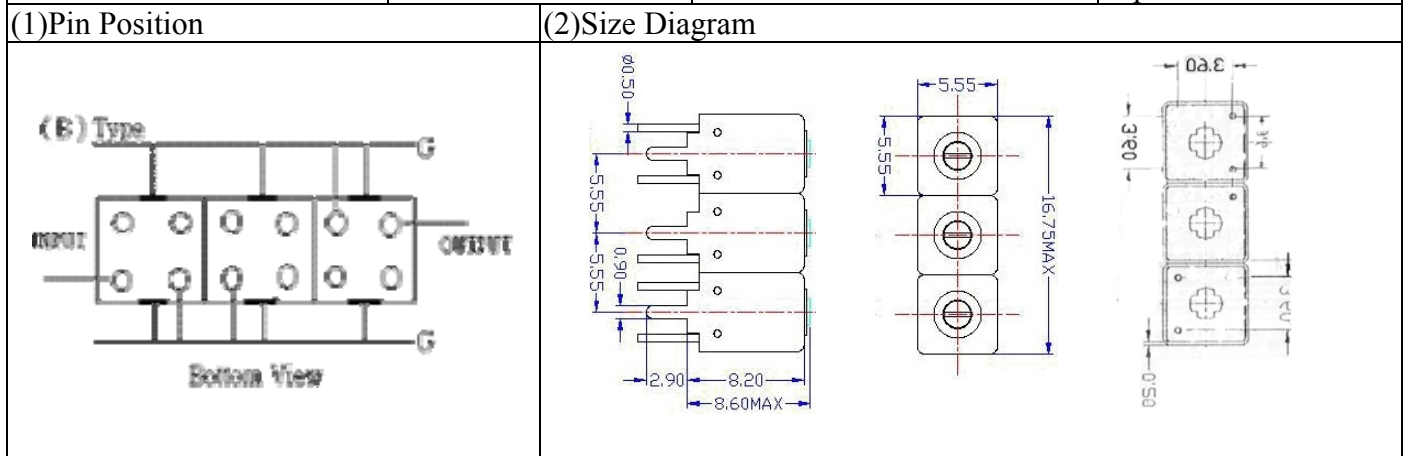
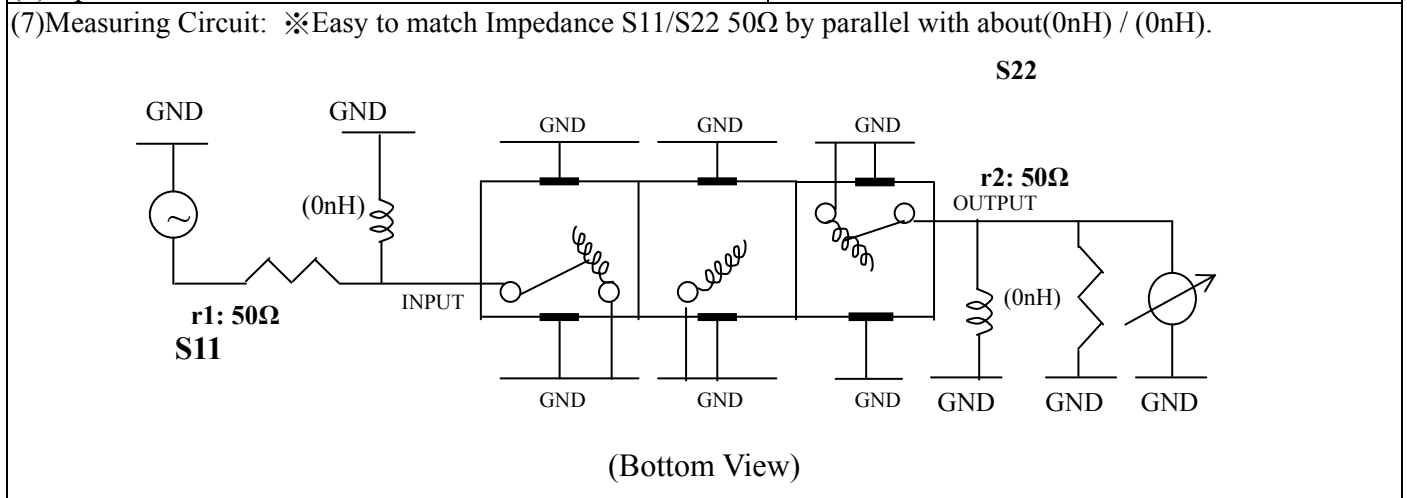


# VHF UHF Helical Filter Specification Sheet

Multi-Diplexer Code	RM01	Temwell's Part No.	TTW3870B-1805M
Approval No. /dated	0606017APR	Acceptable Specify Fo Range	1801-1850 MHz
Work Instruction No.	0606017DC	Date	Sep.04.2006



(3) Electric Character			
Item		Specify	Performance
Center Freq.(Fo) +/- 0.5 %		1805 MHz	1805 MHz
Tunable Range:		1805±5 MHz	1805±5 MHz
Insertion Loss		Typ. 2.0 dB	1.14 dB
-3 dB Bandwidth		Typ. 192 MHz	207.3 MHz
Sensitivity (Attenuation)	Fo - 400 MHz	Typ. 45 dBc	48 dBc
	Fo + 400 MHz	Typ. 23 dBc	26 dBc
	Fo - ( )MHz	Typ. dBc	dBc
	Fo +( )MHz	Typ. dBc	dBc
Return Loss		Min. 12 dB	26.3 dB
Ripple		< 1 dB	dB
Impedance		In / Out : 50 Ω	In / Out : 50 Ω
(4) Torque for Tuning Screw		> 60gf · cm	
(5) Temperature Condition:			
Operating Temperature		0°C ~ +60°C	
Storage Temperature		-20°C ~ +70°C	
(6) Input Power		> 0.5Watt	

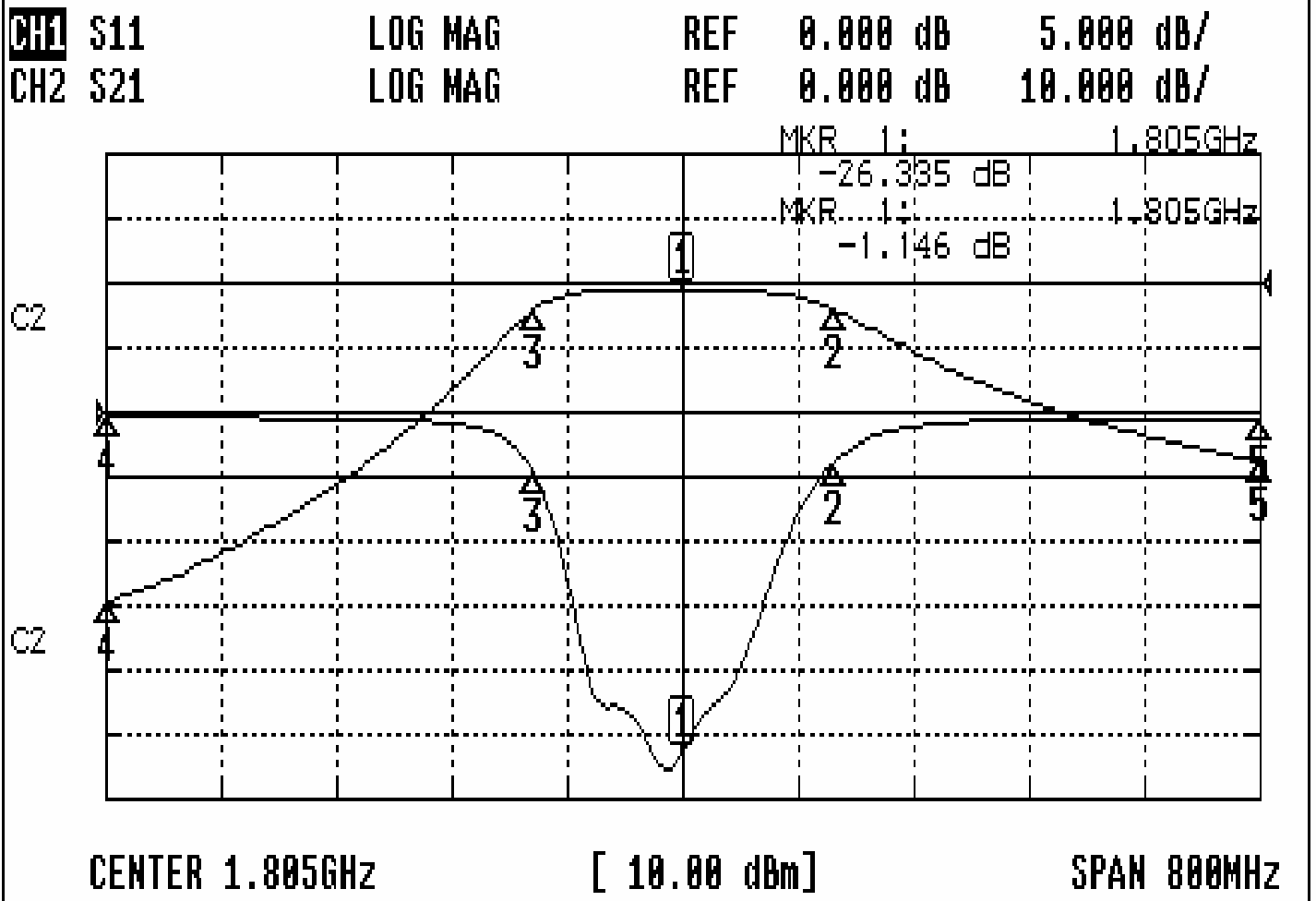


Approval	Supervisor	Designer	Aperture size
C.Y.Chang	C.S.Chang	P.H.Chiang	5W3(3.8*5.1)(5.14) 5HW046RB4

TEMWELL CORPORATION

# Performance-TTW3870B-1805M

## 0606017DC



### CH1 MARKER LIST

1:	1.805	000GHz	-26.335	dB
2:	1.909	666GHz	-3.920	dB
3:	1.702	333GHz	-4.794	dB
4:	1.405	000GHz	-0.000	dB
5:	2.205	000GHz	-0.535	dB

### CH2 MARKER LIST

1:	1.805	000GHz	-1.146	dB
2:	1.909	666GHz	-4.163	dB
3:	1.702	333GHz	-4.190	dB
4:	1.405	000GHz	-49.466	dB
5:	2.205	000GHz	-27.466	dB