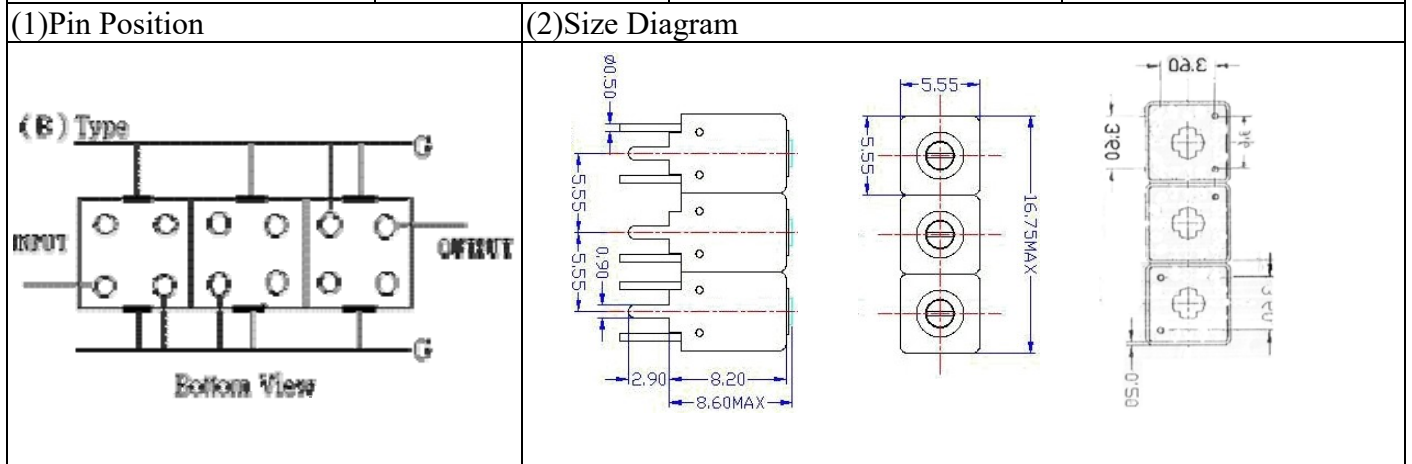


# VHF UHF Helical Filter Specification Sheet

Customer Name		Temwell's Part No.	TTW3868B-2400M
Approval No. /dated	0605114APR	Acceptable Specify Fo Range	2351-2400 MHz
Work Instruction No.	0605114DC	Date	Jun.01.2006



(3) Electric Character			
Item		Specify	Performance
Center Freq.(Fo) +/- 0.5 %		2400 MHz	2400 MHz
Tunable Range:		2400±5 MHz	2400±5 MHz
Insertion Loss		Typ. 2.5 dB	1.37 dB
-3 dB Bandwidth		Typ. 214 MHz	234.0 MHz
Sensitivity (Attenuation)	Fo - 400 MHz	Typ. 38 dBc	41 dBc
	Fo + 400 MHz	Typ. 23 dBc	26 dBc
	Fo - ( )MHz	Typ. dBc	dBc
	Fo + ( )MHz	Typ. dBc	dBc
Return Loss		Min. 12 dB	27.7 dB
Ripple		< 1 dB	dB
Impedance		In / Out : 50 Ω	In / Out : 50 Ω

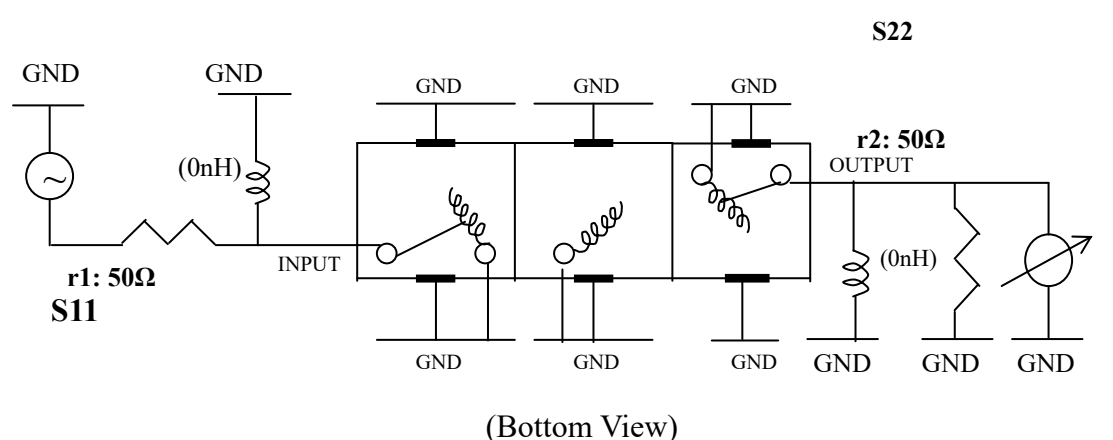
(4) Torque for Tuning Screw > 60gf · cm

(5) Temperature Condition:

Operating Temperature	0°C ~ +60°C
Storage Temperature	-20°C ~ +70°C

(6) Input Power > 0.5Watt

(7) Measuring Circuit: ※Easy to match Impedance S11/S22 50Ω by parallel with about(0nH) / (0nH).

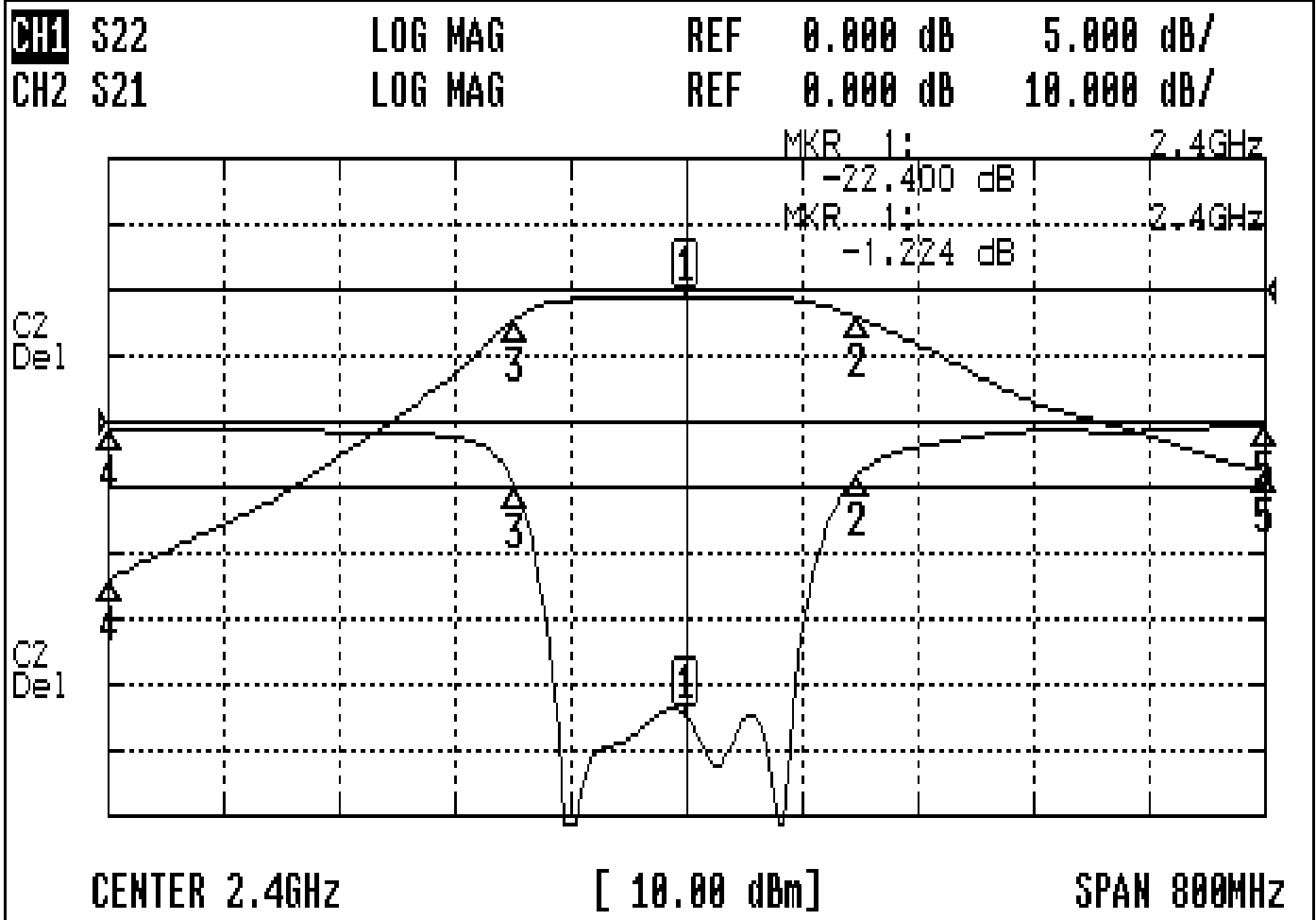


Approval	Supervisor	Designer	Aperture size
C.Y.Chang	C.S.Chang	C.S.Chang	5W3S(3.8*4.5)(4.62) 5HW046RB4

TEMWELL CORPORATION

# Performance-TTW3868B-2400M

## 06050114DC



### CH1 MARKER LIST

1:	2.400	000GHz	-22.400	dB
2:	2.518	666GHz	-4.122	dB
3:	2.282	000GHz	-4.979	dB
4:	2.000	000GHz	-0.520	dB
5:	2.800	000GHz	-0.387	dB

### CH2 MARKER LIST

1:	2.400	000GHz	-1.224	dB
2:	2.518	666GHz	-4.256	dB
3:	2.282	000GHz	-4.240	dB
4:	2.000	000GHz	-4.937	dB
5:	2.800	000GHz	-27.479	dB