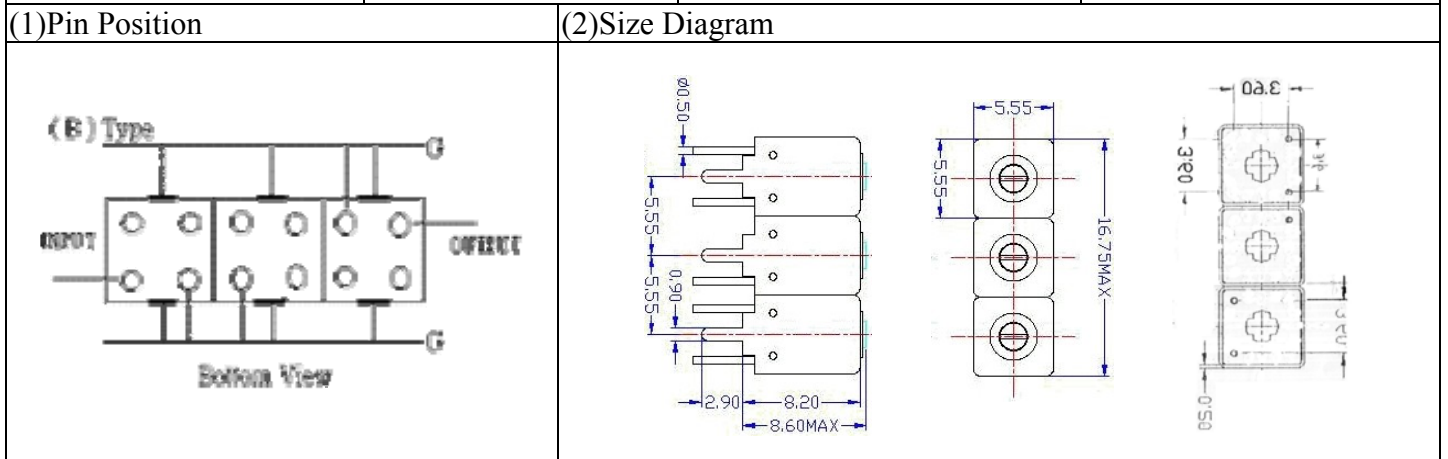


VHF UHF Helical Filter Specification Sheet

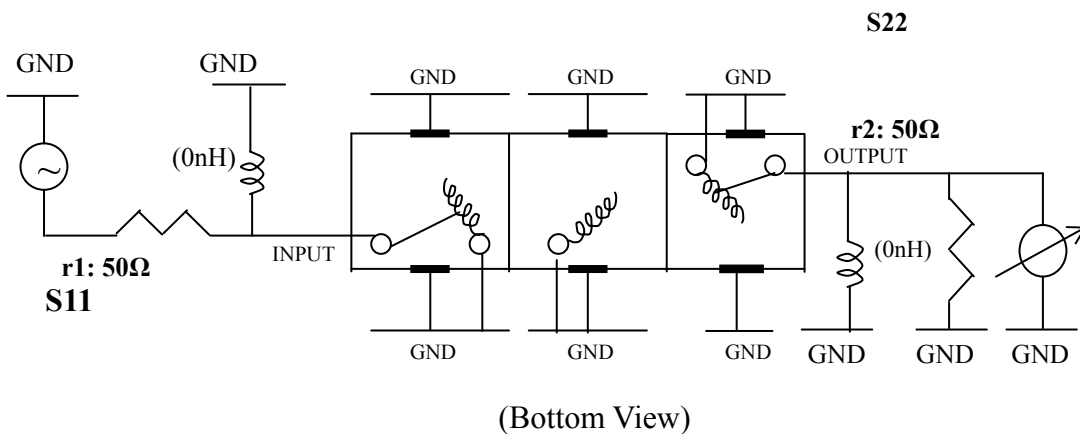
Customer Name		Temwell's Part No.	TTW3866B-1900M
Approval No. /dated	0605112APR	Acceptable Specify Fo Range	1851-1900 MHz
Work Instruction No.	0605112DC	Date	Jun.02.2006



Item		Specify		Performance	
Center Freq.(Fo) +/- 0.5 %		1900 MHz		1900 MHz	
Tunable Range:		1900±5 MHz		1900±5 MHz	
Insertion Loss		Typ.	2.0 dB	1.26 dB	
-3 dB Bandwidth		Typ.	208 MHz	224.7 MHz	
Sensitivity (Attenuation)	Fo - 300 MHz	Typ.	36 dBc	39 dBc	
	Fo + 300 MHz	Typ.	17 dBc	20 dBc	
	Fo - ()MHz	Typ.	dBc	dBc	
	Fo +()MHz	Typ.	dBc	dBc	
Return Loss		Min.	12 dB	32.0 dB	
Ripple		< 1 dB		dB	
Impedance		In / Out : 50 Ω		In / Out : 50 Ω	

(4) Torque for Tuning Screw	> 60gf · cm
(5) Temperature Condition:	
Operating Temperature	0°C ~ +60°C
Storage Temperature	-20°C ~ +70°C
(6) Input Power	> 0.5Watt

(7) Measuring Circuit: ※Easy to match Impedance S11/S22 50Ω by parallel with about(0nH) / (0nH).

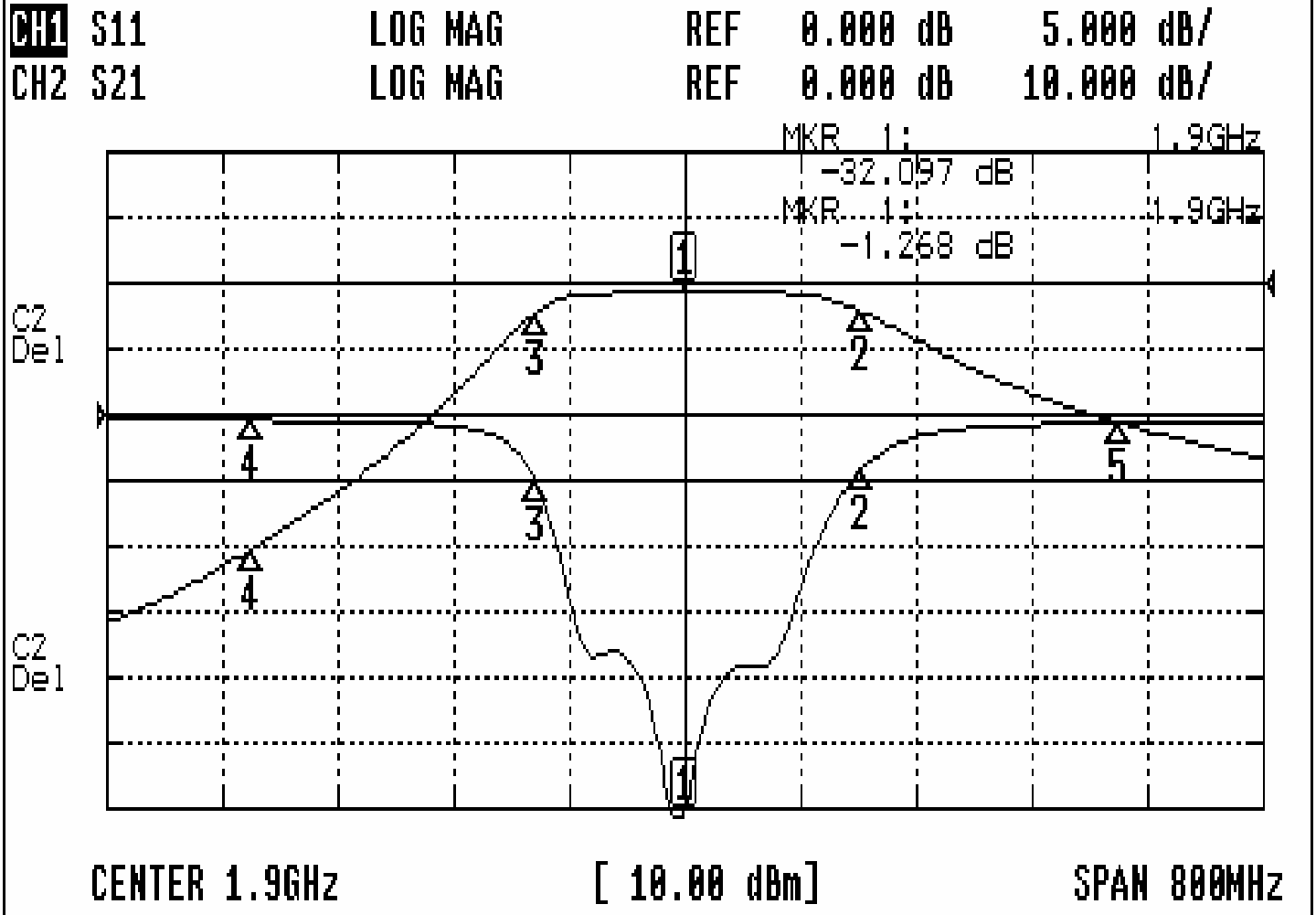


Approval	Supervisor	Designer	Aperture size
C.Y. Chang	C.S. Chang	C.S. Chang	5W3S(3.8*5.1)(5.15) 5HW046RB4

TEMWELL CORPORATION

Performance-TTW3866B-1900M

0605112DC



CH1 MARKER LIST

1:	1.900	000GHz	-32.097	dB
2:	2.022	000GHz	-4.188	dB
3:	1.797	333GHz	-5.112	dB
4:	1.600	000GHz	-0.418	dB
5:	2.200	000GHz	-0.642	dB

CH2 MARKER LIST

1:	1.900	000GHz	-1.267	dB
2:	2.022	000GHz	-4.287	dB
3:	1.797	333GHz	-4.315	dB
4:	1.600	000GHz	-40.497	dB
5:	2.200	000GHz	-21.209	dB