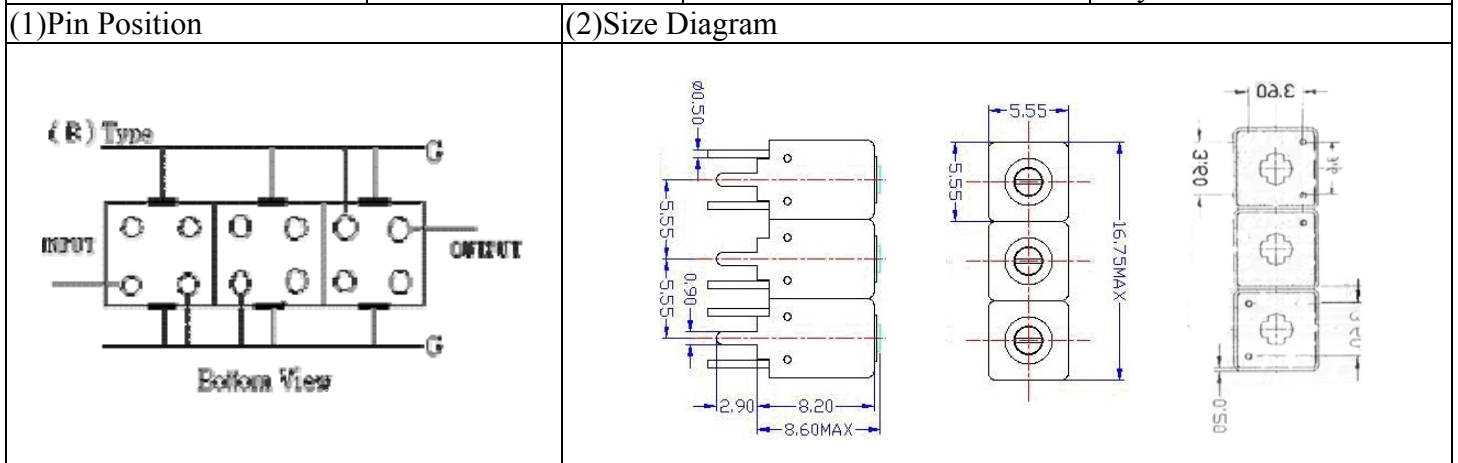


VHF UHF Helical Filter Specification Sheet

Customer Name		Temwell's Part No.	TTW3863B-2600M
Approval No. /dated	0605063APR	Acceptable Specify Fo Range	2501-2600 MHz
Work Instruction No.	0605063DC	Date	May.23.2006



(3) Electric Character

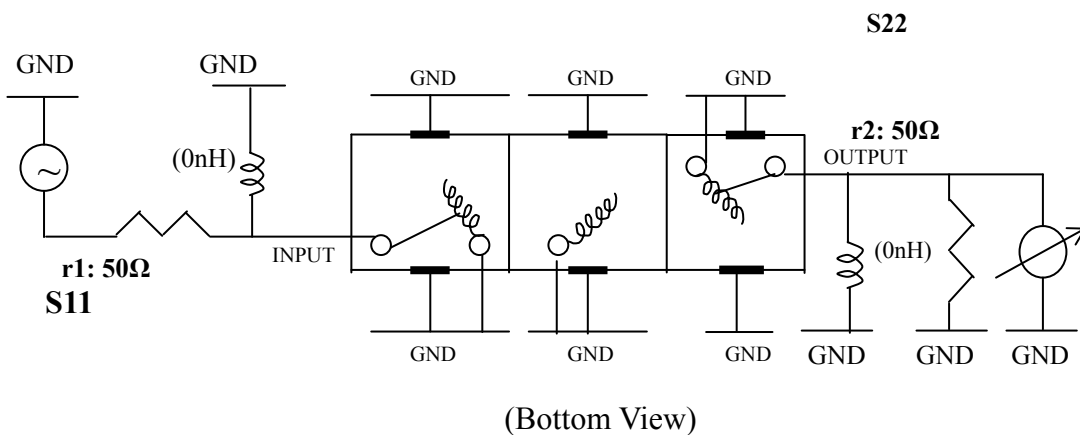
Item	Specify	Performance
Center Freq.(Fo) +/- 0.5 %	2600 MHz	2600 MHz
Tunable Range:	2600±5 MHz	2600±5 MHz
Insertion Loss	Typ. 2.5 dB	1.45 dB
-3 dB Bandwidth	Typ. 188 MHz	209.1 MHz
Sensitivity (Attenuation)	Fo - 400 MHz	Typ. 46 dBc
	Fo + 400 MHz	Typ. 24 dBc
	Fo - ()MHz	Typ. dBc
	Fo +()MHz	Typ. dBc
Return Loss	Min. 12 dB	35.7 dB
Ripple	< 1 dB	dB
Impedance	In / Out : 50 Ω	In / Out : 50 Ω
(4) Torque for Tuning Screw	> 60gf · cm	

(5) Temperature Condition:

Operating Temperature	0°C ~ +60°C
Storage Temperature	-20°C ~ +70°C

(6) Input Power

(7) Measuring Circuit: ※Easy to match Impedance S11/S22 50Ω by parallel with about(0nH) / (0nH).

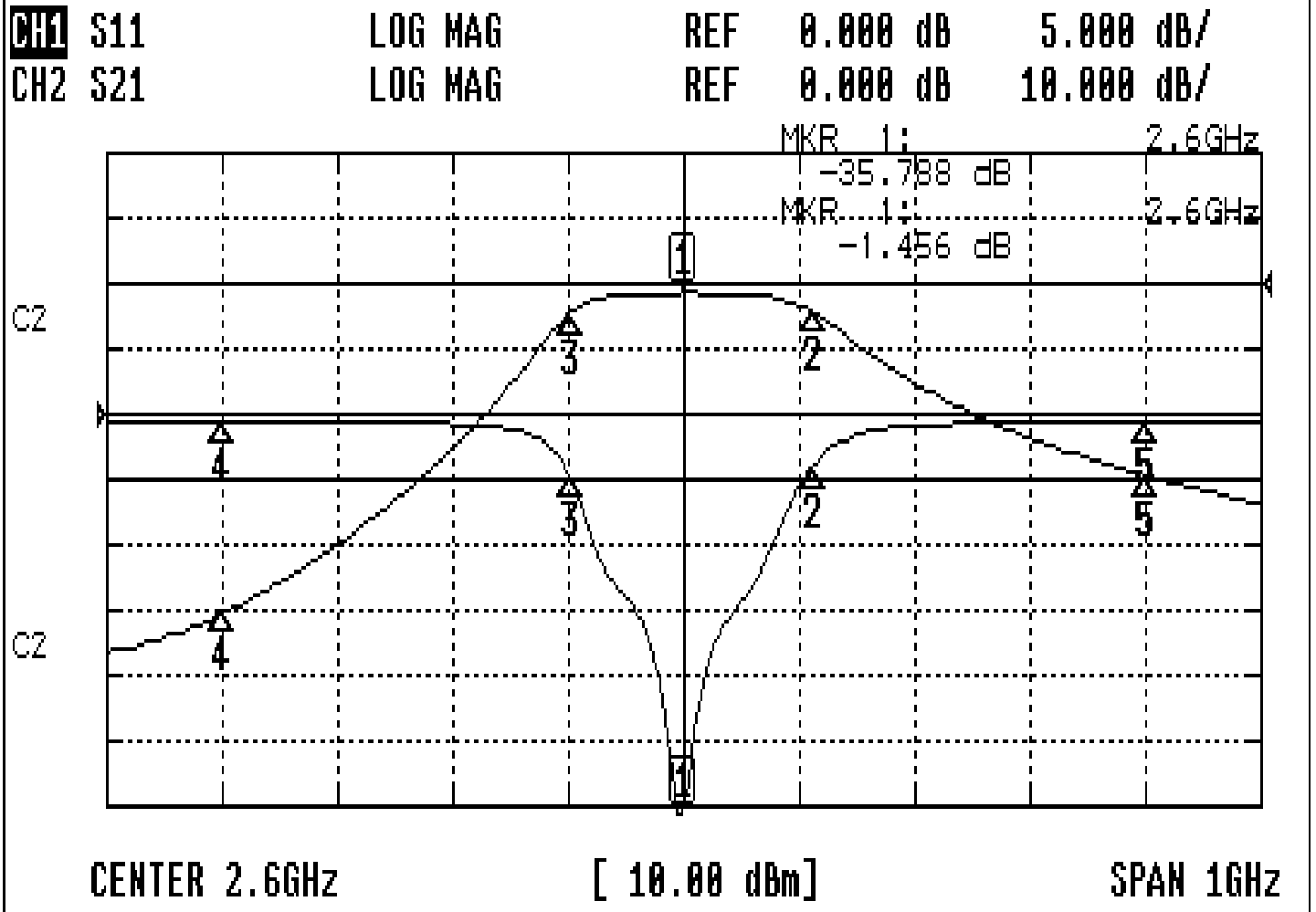


Approval	Supervisor	Designer	Aperture size
C.Y. Chang	C.S. Chang	C.S. Chang	5W3S(3.8*5.1)(5.10) 5HW046RB3.2

TEMWELL CORPORATION

Performance-TTW3863B-2600M

0605063DC



CH1 MARKER LIST

1:	2.600	000GHz	-35.788	dB
2:	2.711	666GHz	-4.066	dB
3:	2.502	500GHz	-4.926	dB
4:	2.200	000GHz	-0.507	dB
5:	3.000	000GHz	-0.634	dB

CH2 MARKER LIST

1:	2.600	000GHz	-1.456	dB
2:	2.711	666GHz	-4.471	dB
3:	2.502	500GHz	-4.469	dB
4:	2.200	000GHz	-30.623	dB
5:	3.000	000GHz	-29.323	dB