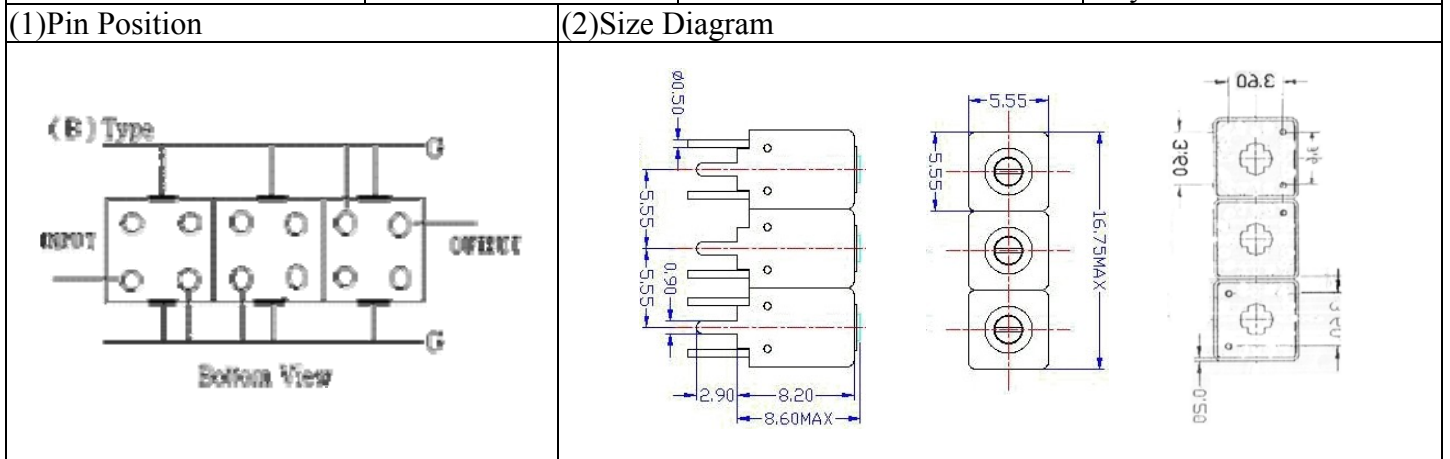


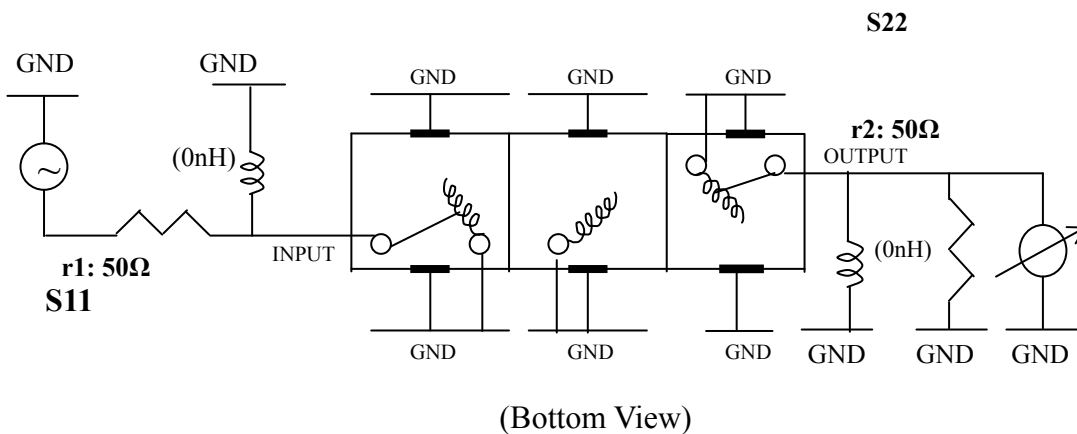
VHF UHF Helical Filter Specification Sheet

Customer Name		Temwell's Part No.	TTW3861B-2600M
Approval No. /dated	0605061APR	Acceptable Specify Fo Range	2551-2600 MHz
Work Instruction No.	0605061DC	Date	May.23.2006



Item		Specify		Performance	
Center Freq.(Fo) +/- 0.5 %		2600 MHz		2600 MHz	
Tunable Range:		2600±5 MHz		2600±5 MHz	
Insertion Loss		Typ.	3.0 dB	2.01 dB	
-3 dB Bandwidth		Typ.	102 MHz	125.0 MHz	
Sensitivity (Attenuation)	Fo - 300 MHz	Typ.	39 dBc	42 dBc	
	Fo + 300 MHz	Typ.	24 dBc	27 dBc	
	Fo - ()MHz	Typ.	dBc	dBc	
	Fo +()MHz	Typ.	dBc	dBc	
Return Loss		Min.	12 dB	21.5 dB	
Ripple		< 1 dB		dB	
Impedance		In / Out : 50 Ω		In / Out : 50 Ω	
(4) Torque for Tuning Screw		> 60gf · cm			
(5) Temperature Condition:					
Operating Temperature		0°C ~ +60°C			
Storage Temperature		-20°C ~ +70°C			
(6) Input Power		> 0.5Watt			

(7) Measuring Circuit: ※Easy to match Impedance S11/S22 50Ω by parallel with about(0nH) / (0nH).

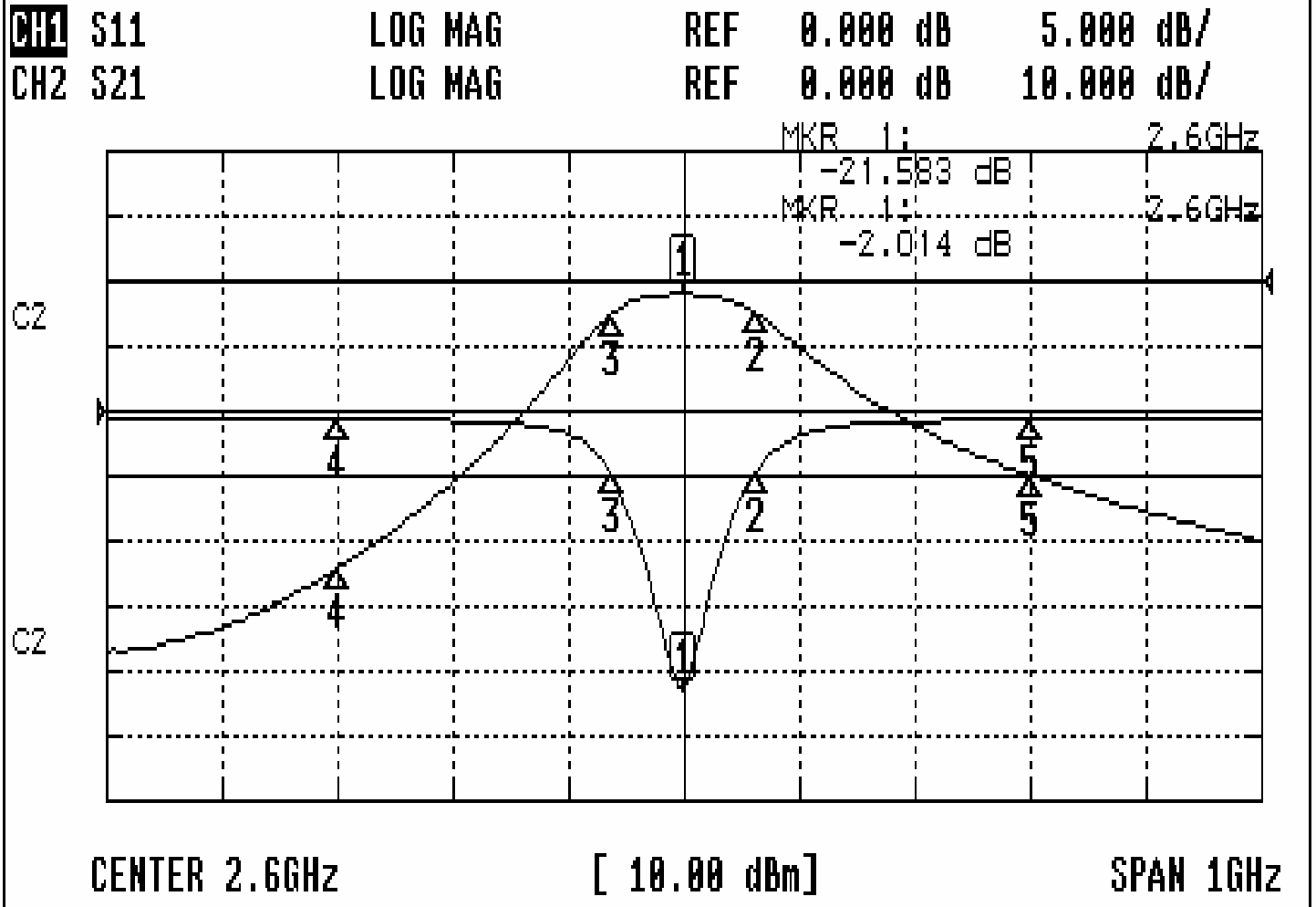


Approval	Supervisor	Designer	Aperture size
C.Y. Chang	C.S. Chang	C.S. Chang	5W3S(3.8*5.1)(5.12) 5HW046RB3.2

TEMWELL CORPORATION

Performance-TTW3861B-2600M

0605061DC



CH1 MARKER LIST

1:	2.600	000GHz	-21.583	dB
2:	2.662	500GHz	-4.742	dB
3:	2.537	500GHz	-4.908	dB
4:	2.300	000GHz	-0.599	dB
5:	2.900	000GHz	-0.668	dB

CH2 MARKER LIST

1:	2.600	000GHz	-2.014	dB
2:	2.662	500GHz	-5.018	dB
3:	2.537	500GHz	-5.034	dB
4:	2.300	000GHz	-44.293	dB
5:	2.900	000GHz	-29.939	dB