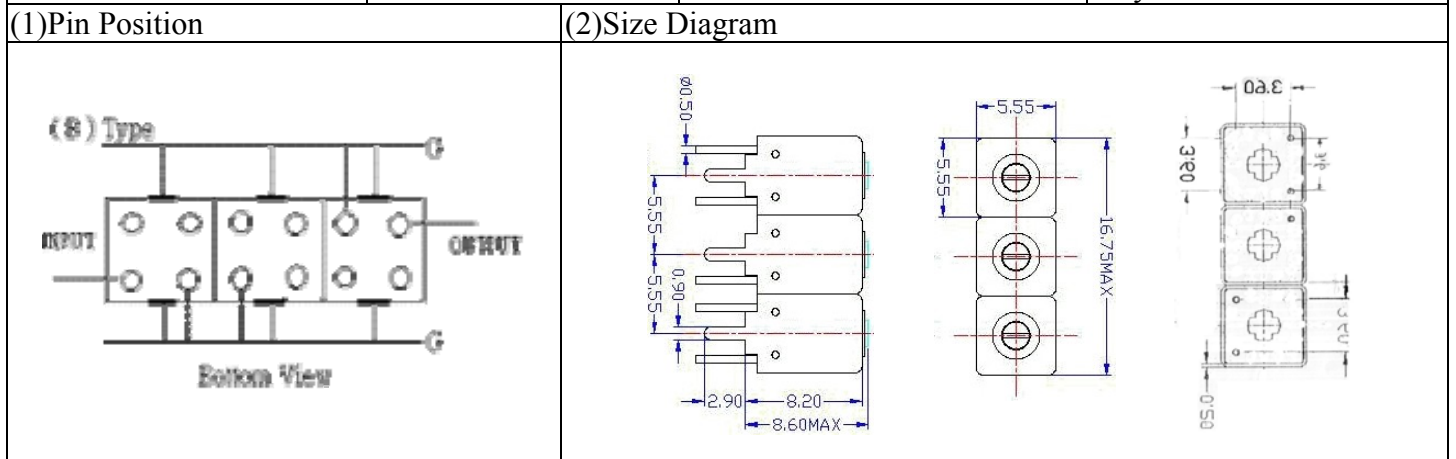


VHF UHF Helical Filter Specification Sheet

Customer Name		Temwell's Part No.	TTW3860B-2500M
Approval No. /dated	0605060APR	Acceptable Specify Fo Range	2501-2600 MHz
Work Instruction No.	0605060DC	Date	May.24.2006

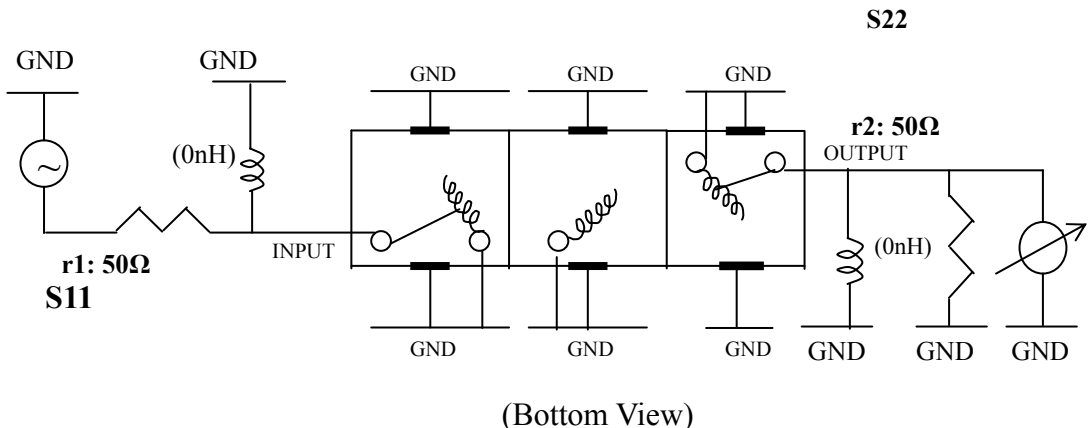


Item		Specify	Performance
Center Freq.(Fo) +/- 0.5 %		2500 MHz	2500 MHz
Tunable Range:		2500±5 MHz	2500±5 MHz
Insertion Loss		Typ. 3.0 dB	2.32 dB
-3 dB Bandwidth		Typ. 113 MHz	134.0 MHz
Sensitivity (Attenuation)	Fo - 300 MHz	Typ. 40 dBc	43 dBc
	Fo + 300 MHz	Typ. 24 dBc	27 dBc
	Fo - ()MHz	Typ. dBc	dBc
	Fo +()MHz	Typ. dBc	dBc
Return Loss		Min. 12 dB	29.8 dB
Ripple		< 1 dB	dB
Impedance		In / Out : 50 Ω	In / Out : 50 Ω
(4) Torque for Tuning Screw		> 60gf · cm	

(5) Temperature Condition:	
Operating Temperature	0°C ~ +60°C
Storage Temperature	-20°C ~ +70°C

(6) Input Power	> 0.5Watt
-----------------	-----------

(7) Measuring Circuit: ※Easy to match Impedance S11/S22 50Ω by parallel with about(0nH) / (0nH).

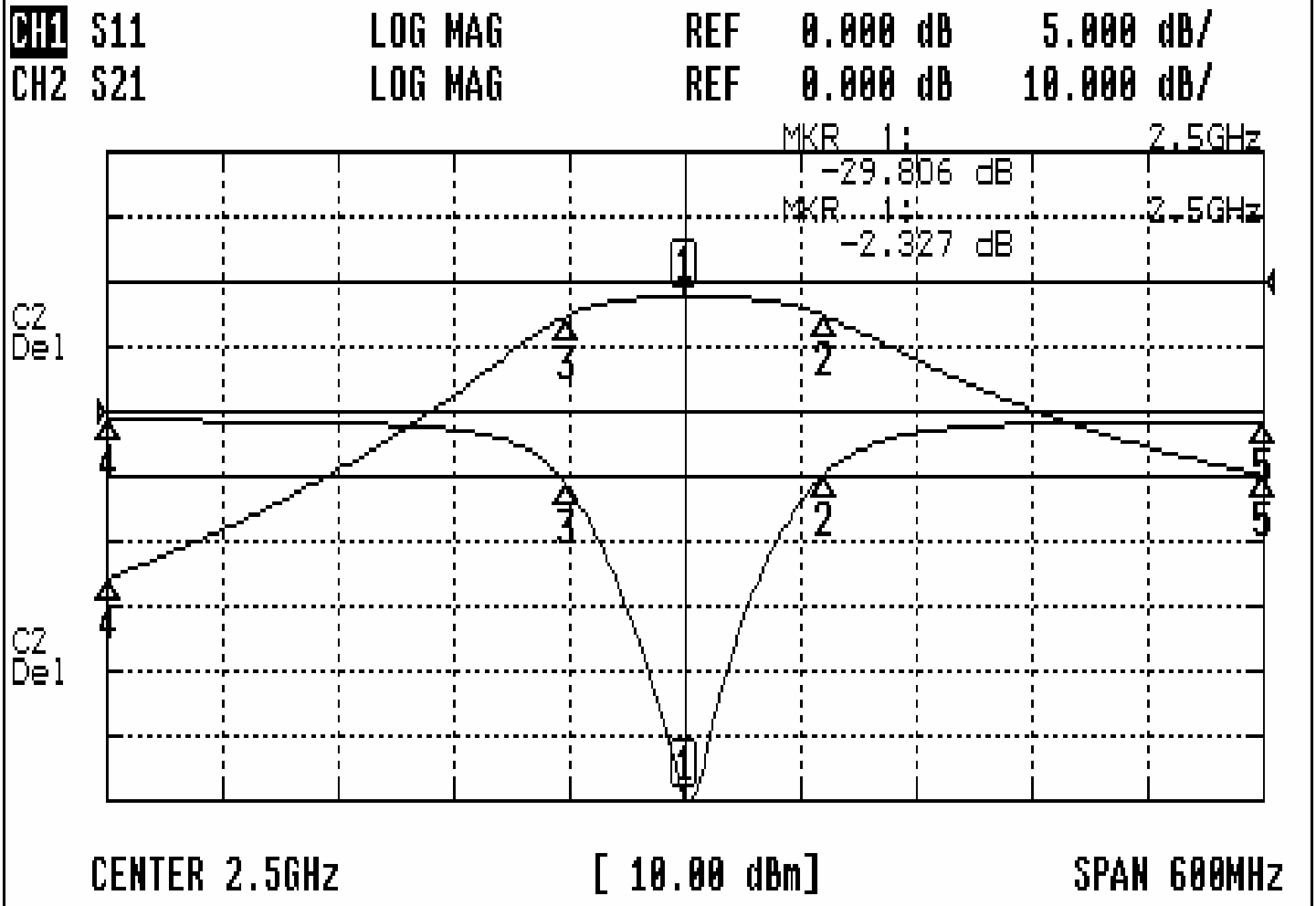


Approval	Supervisor	Designer	Aperture size
C.Y. Chang	C.S. Chang	C.S. Chang	5W3S(3.8*5.1)(5.12) 5HW046RB3.2

TEMWELL CORPORATION

Performance-TTW3860B-2500M

0605060DC



CH1 MARKER LIST

1:	2.500	000GHz	-29.806	dB
2:	2.572	500GHz	-4.873	dB
3:	2.438	500GHz	-5.620	dB
4:	2.200	000GHz	-0.662	dB
5:	2.800	000GHz	-0.808	dB

CH2 MARKER LIST

1:	2.500	000GHz	-2.327	dB
2:	2.572	500GHz	-1.350	dB
3:	2.438	500GHz	-1.382	dB
4:	2.200	000GHz	-45.698	dB
5:	2.800	000GHz	-29.805	dB