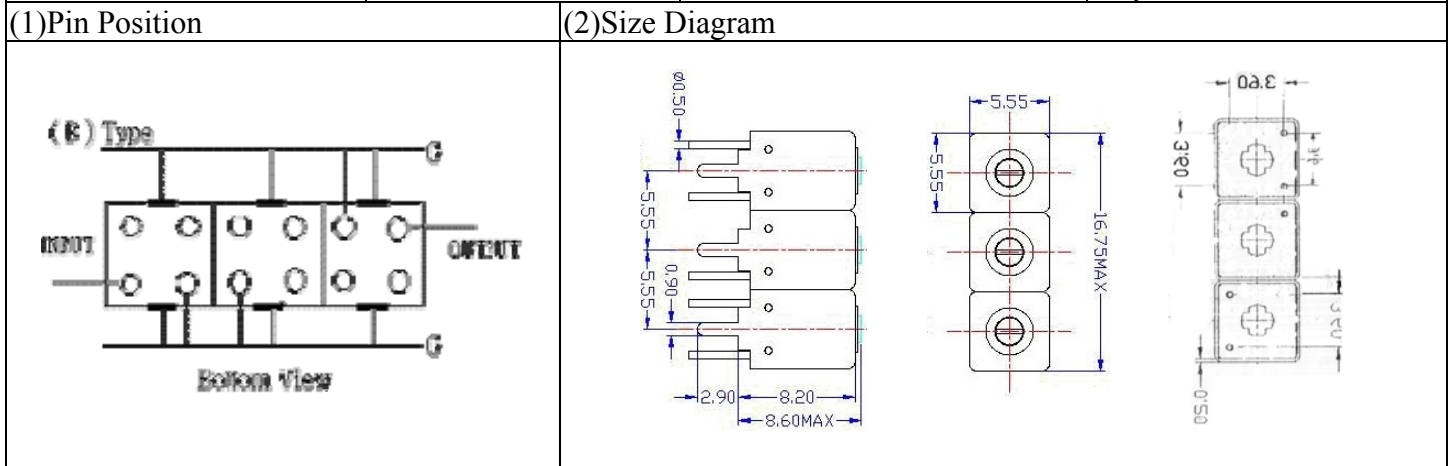


VHF UHF Helical Filter Specification Sheet

Customer Name		Temwell's Part No.	TTW3858B-2325M
Approval No. /dated	0605058APR	Acceptable Specify Fo Range	2301-2350 MHz
Work Instruction No.	0605058DC	Date	May.30.2006



(3) Electric Character		Item	Specify	Performance
		Center Freq.(Fo) +/- 0.5 %	2325 MHz	2325 MHz
		Tunable Range:	2325±5 MHz	2325±5 MHz
		Insertion Loss	Typ. 3.0 dB	2.04 dB
		-3 dB Bandwidth	Typ. 250 MHz	261.4 MHz
Sensitivity (Attenuation)	Fo - 400 MHz	Typ. 37 dBc		40 dBc
	Fo + 400 MHz	Typ. 21 dBc		24 dBc
	Fo - ()MHz	Typ. dBc		dBc
	Fo + ()MHz	Typ. dBc		dBc
		Return Loss	Min. 12 dB	31.8 dB
		Ripple	< 1 dB	dB
		Impedance	In / Out : 50 Ω	In / Out : 50 Ω

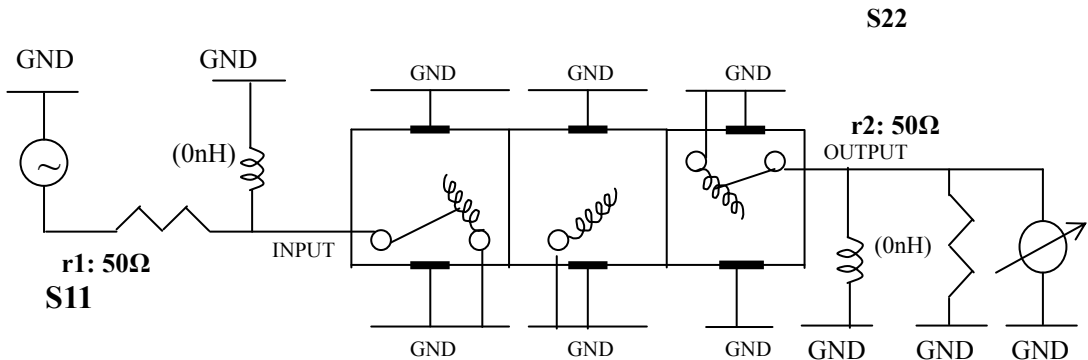
(4) Torque for Tuning Screw > 60gf • cm

(5) Temperature Condition:

Operating Temperature	0°C ~ +60°C
Storage Temperature	-20°C ~ +70°C

(6) Input Power > 0.5Watt

(7) Measuring Circuit: ※Easy to match Impedance S11/S22 50Ω by parallel with about(0nH) / (0nH).



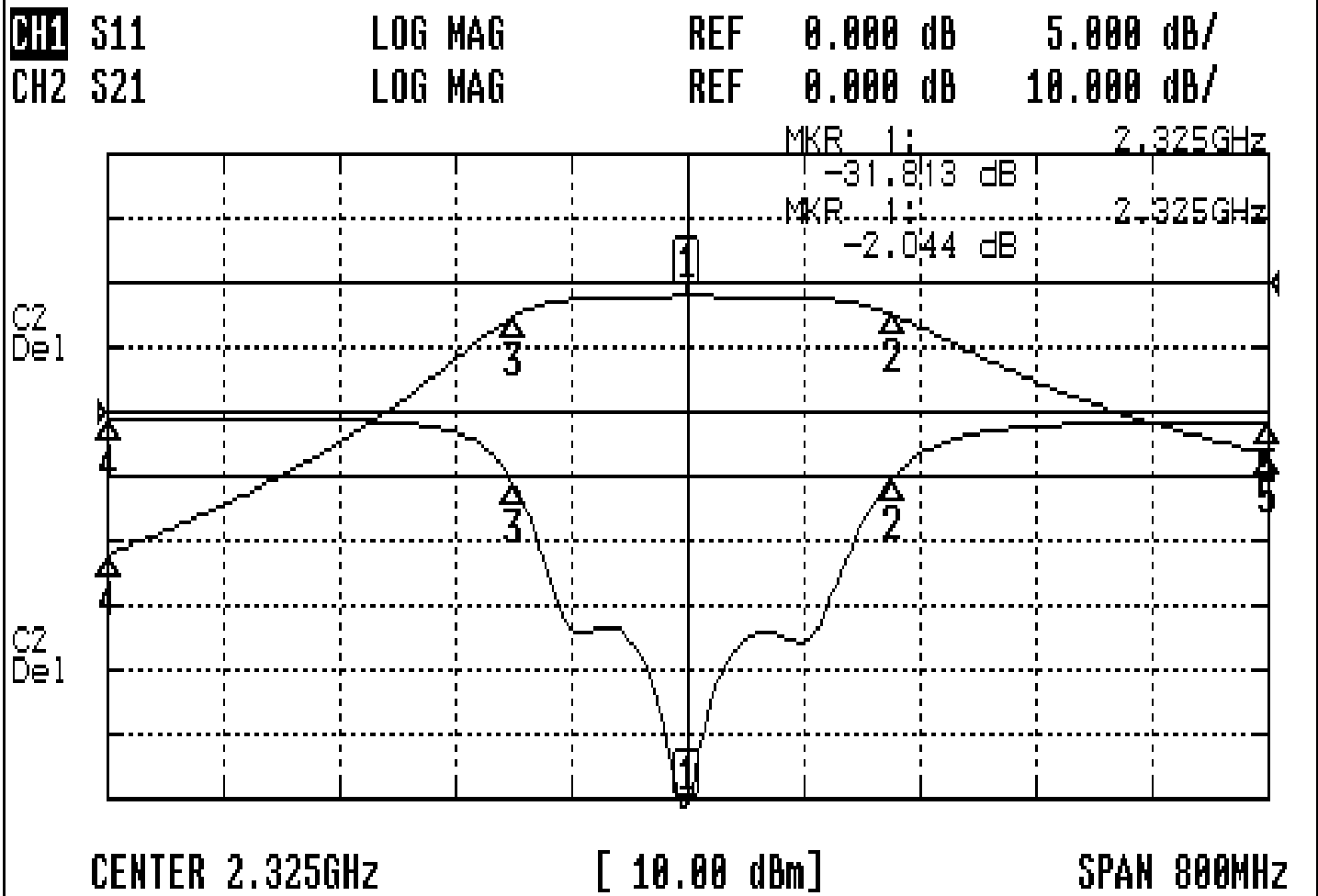
(Bottom View)

Approval	Supervisor	Designer	Aperture size
C.Y. Chang	C.S. Chang	C.S. Chang	5W3S(3.8*5.1)(5.12) 5HW046RB4

TEMWELL CORPORATION

Performance-TTW3858B-2325M

0605058DC



CH1 MARKER LIST

1	2.325	000GHz	-31.813	dB
2	2.467	000GHz	-5.121	dB
3	2.205	666GHz	-5.595	dB
4	1.925	000GHz	-0.450	dB
5	2.725	000GHz	-0.746	dB

CH2 MARKER LIST

1	2.325	000GHz	-2.044	dB
2	2.467	000GHz	-5.056	dB
3	2.205	666GHz	-5.077	dB
4	1.925	000GHz	-42.046	dB
5	2.725	000GHz	-26.483	dB