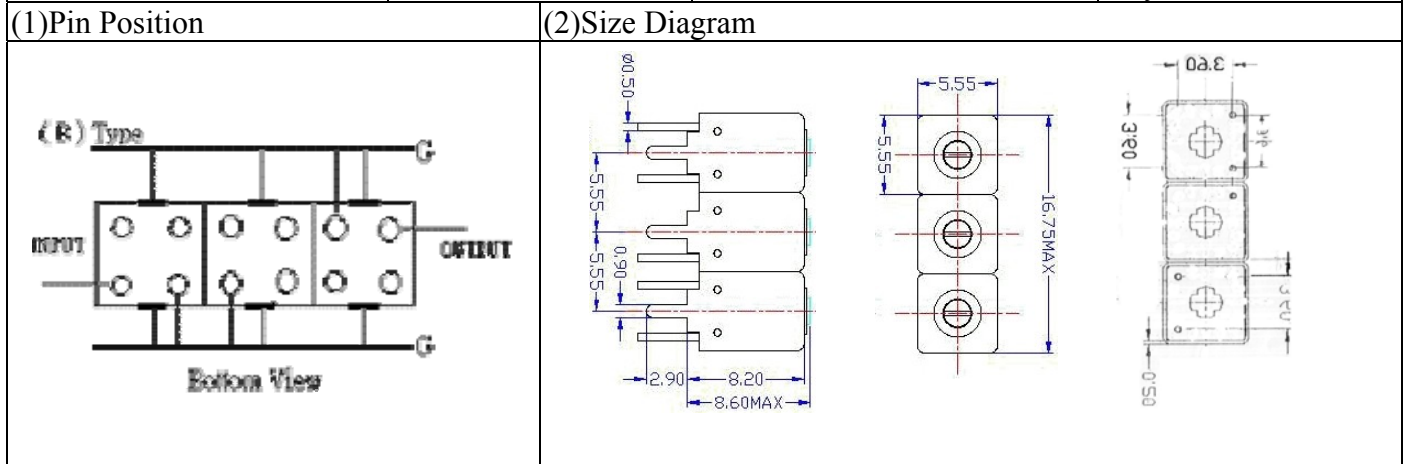


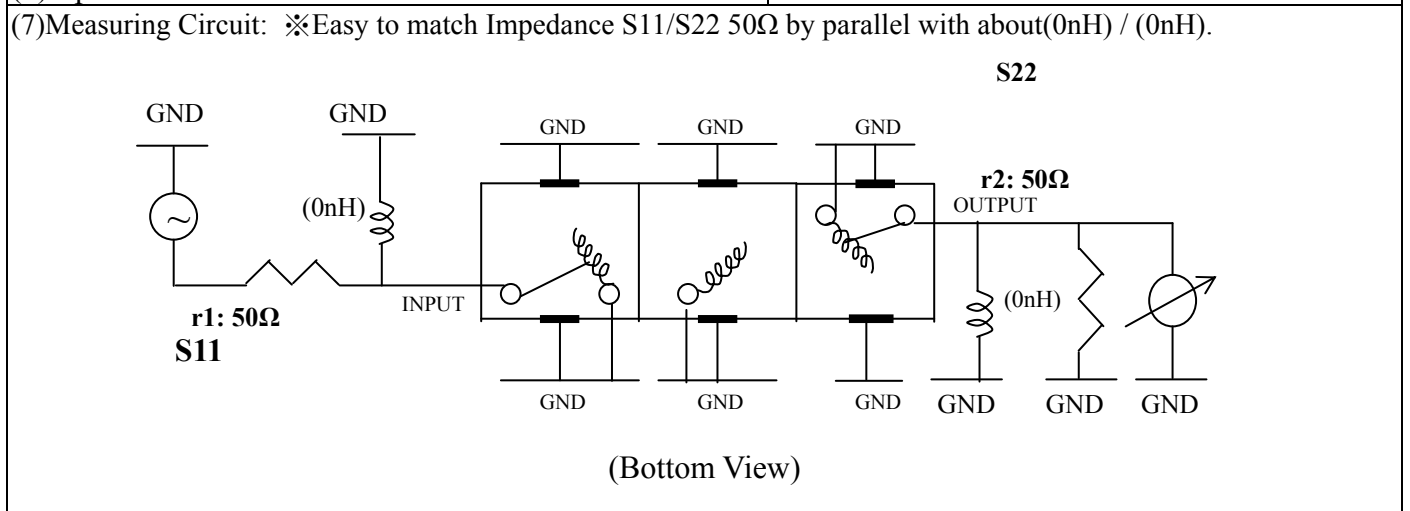
VHF UHF Helical Filter Specification Sheet

| | | | |
|----------------------|------------|-----------------------------|----------------|
| Customer Name | | Temwell's Part No. | TTW3857B-2035M |
| Approval No. /dated | 0605057APR | Acceptable Specify Fo Range | 2001-2050 MHz |
| Work Instruction No. | 0605057DC | Date | May.24.2006 |



| (3) Electric Character | | | |
|------------------------------|--------------|-----------------|-----------------|
| Item | | Specify | Performance |
| Center Freq.(Fo) +/- 0.5 % | | 2035 MHz | 2035 MHz |
| Tunable Range: | | 2035±10 MHz | 2035±10 MHz |
| Insertion Loss | | Typ. 3.0 dB | 2.12 dB |
| -3 dB Bandwidth | | Typ. 170 MHz | 194.0 MHz |
| Sensitivity (Attenuation) | Fo - 400 MHz | Typ. 50 dBc | 53 dBc |
| | Fo + 400 MHz | Typ. 25 dBc | 28 dBc |
| | Fo - ()MHz | Typ. dBc | dBc |
| | Fo +()MHz | Typ. dBc | dBc |
| Return Loss | | Min. 12 dB | 25.2 dB |
| Ripple | | < 1 dB | dB |
| Impedance | | In / Out : 50 Ω | In / Out : 50 Ω |

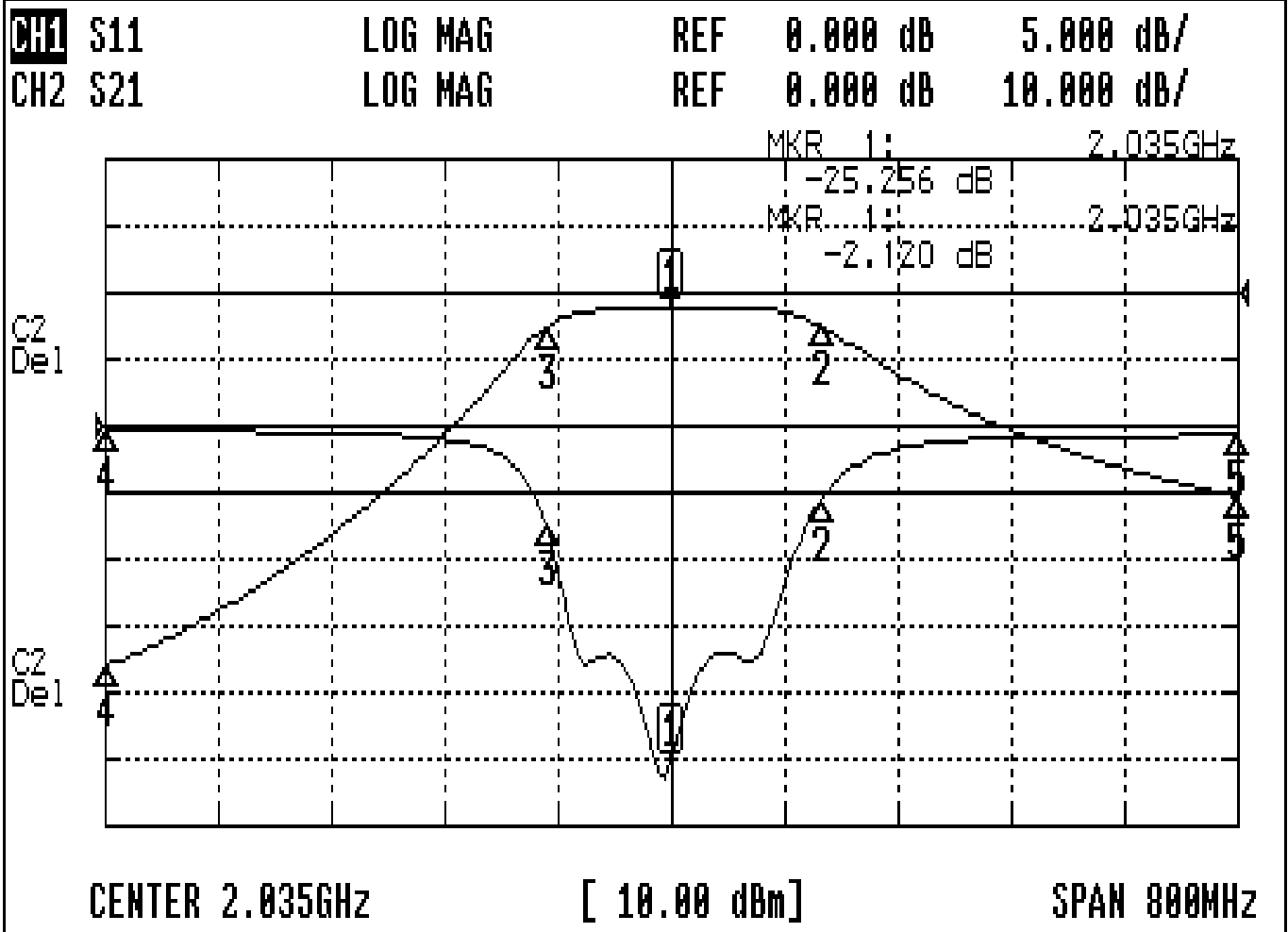
| | | |
|-----------------------------|--|---------------|
| (4) Torque for Tuning Screw | | > 60gf · cm |
| (5) Temperature Condition: | | |
| Operating Temperature | | -30°C ~ +70°C |
| Storage Temperature | | -30°C ~ +80°C |
| (6) Input Power | | > 0.5Watt |



| | | | |
|-----------|------------|-----------|---------------------|
| Approval | Supervisor | Designer | Aperture size |
| C.Y.Chang | C.S.Chang | C.S.Chang | 5W3S(3.8*5.1)(5.11) |

Performance-TTW3857B-2035M

0605057DC



CH1 MARKER LIST

| | | |
|----|--------------|------------|
| 1: | 2.035 000GHz | -25.256 dB |
| 2: | 2.141 000GHz | -5.525 dB |
| 3: | 1.947 000GHz | -7.448 dB |
| 4: | 1.635 000GHz | -0.382 dB |
| 5: | 2.435 000GHz | -0.723 dB |

CH2 MARKER LIST

| | | |
|----|--------------|------------|
| 1: | 2.035 000GHz | -2.120 dB |
| 2: | 2.141 000GHz | -1.108 dB |
| 3: | 1.947 000GHz | -1.107 dB |
| 4: | 1.635 000GHz | -15.640 dB |
| 5: | 2.435 000GHz | -30.553 dB |