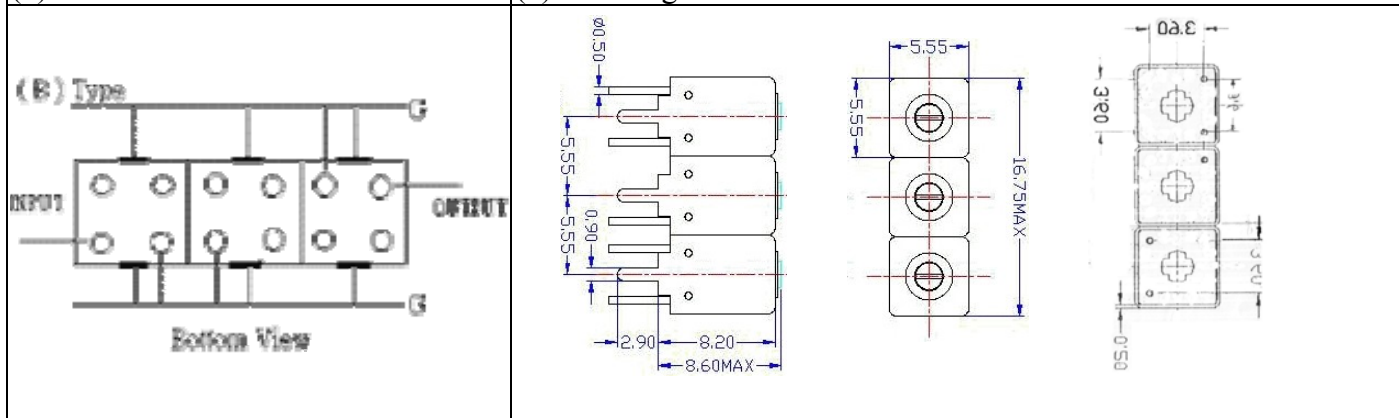


VHF UHF Helical Filter Specification Sheet

Customer Name		Temwell's Part No.	TTW3846B-2000M
Approval No. /dated	0605038APR	Acceptable Specify Fo Range	1951~2000MHz
Work Instruction No.	0605038DC	Date	May.29.2006

(1) Pin Position (2) Size Diagram



(3) Electric Character

Item	Specify	Performance	
Center Freq.(Fo) +/- 0.5 %	2000 MHz	2000 MHz	
Tunable Range	2000±5 MHz	2000±5 MHz	
Insertion Loss	Typ. 3.0 dB	2.14 dB	
-3 dB Bandwidth	Typ. 102 MHz	118.0 MHz	
Sensitivity (Attenuation)	Fo - 150 MHz	Typ. 37 dBc	40 dBc
	Fo + 150 MHz	Typ. 18 dBc	21 dBc
	Fo - ()MHz	Typ. dBc	dBc
	Fo + ()MHz	Typ. dBc	dBc
Return Loss	Min. 12 dB	22.4 dB	
Ripple	< 1 dB	dB	
Impedance	In / Out : 50 Ω	In / Out : 50 Ω	
(4) Torque for Tuning Screw	> 60gf · cm		

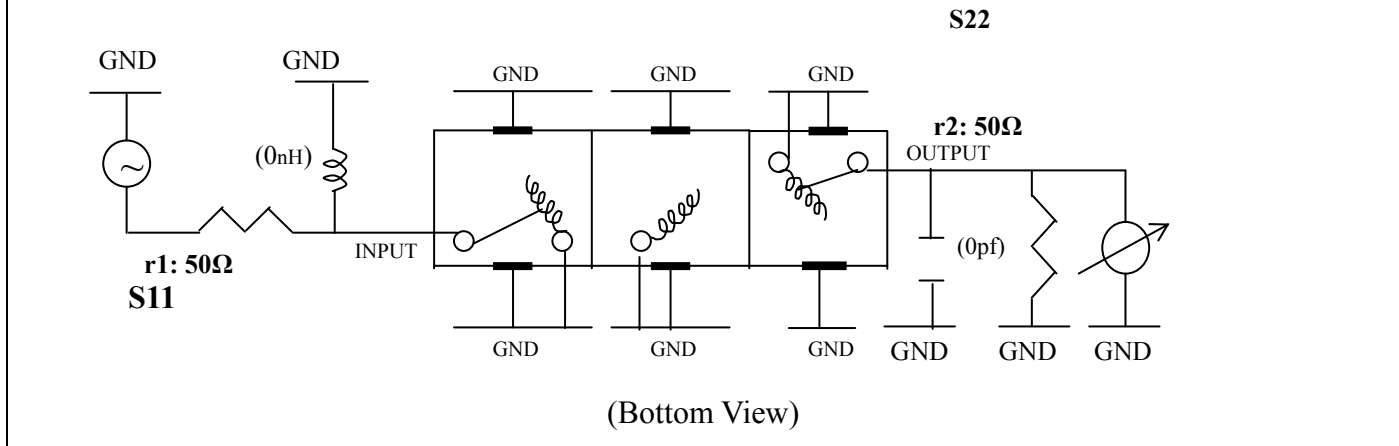
(5) Temperature Condition:

Operating Temperature	0°C ~ +60°C
Storage Temperature	-20°C ~ +70°C

(6) Input Power

	> 0.5Watt
--	-----------

(7) Measuring Circuit: ※Easy to match Impedance S11/S22 50Ω/ by parallel with about(0nH) / (0 pF).

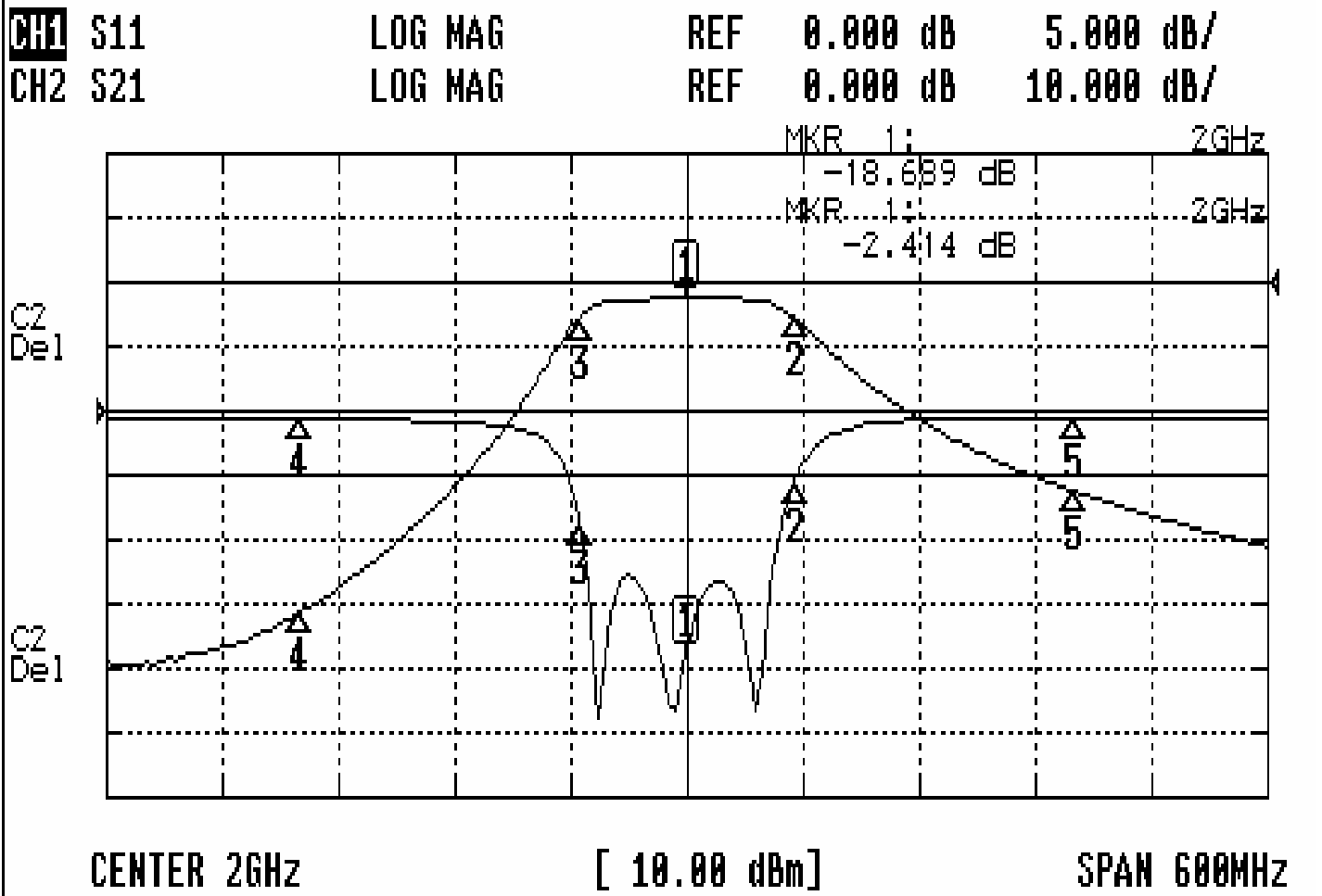


Approval	Supervisor	Designer	Aperture size
C.Y.Chang	C.S.Chang	P.H.Chiang	5W3(3.8*5.1)(5.12) 5HW046RB3.2

TEMWELL CORPORATION

Performance-TTW3846B-2000M

0605038DC



CH1 MARKER LIST

1:	2.000	000GHz	-18.689	dB
2:	2.055	500GHz	-15.624	dB
3:	1.945	000GHz	-18.840	dB
4:	1.800	000GHz	-0.580	dB
5:	2.200	000GHz	-0.517	dB

CH2 MARKER LIST

1:	2.000	000GHz	-2.414	dB
2:	2.055	500GHz	-15.481	dB
3:	1.945	000GHz	-15.369	dB
4:	1.800	000GHz	-11.352	dB
5:	2.200	000GHz	-32.447	dB