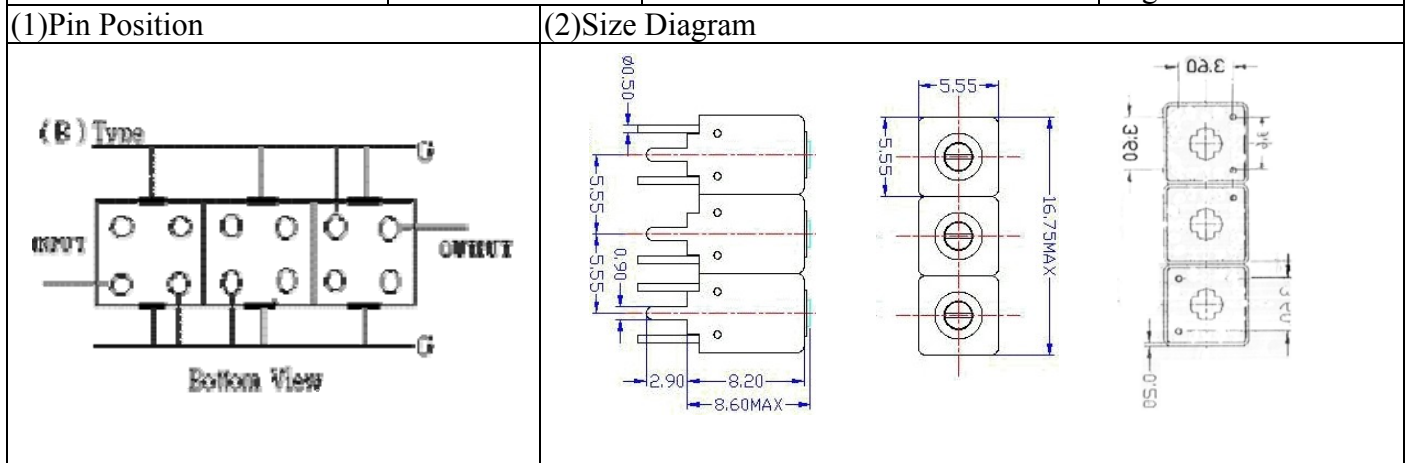
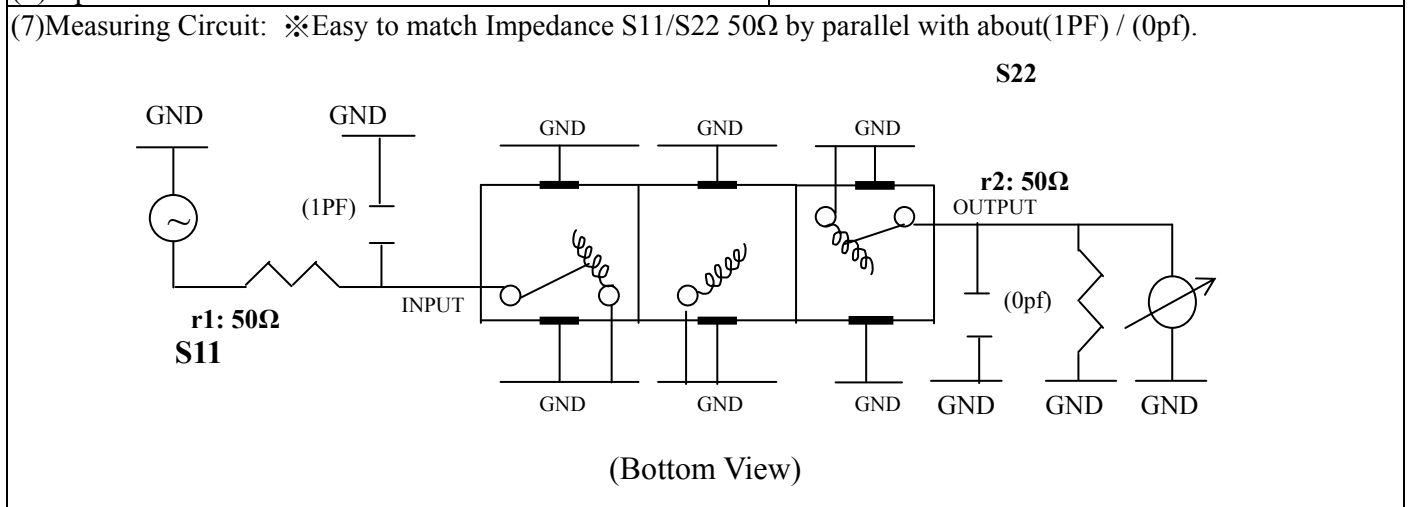


VHF UHF Helical Filter Specification Sheet

Customer Name		Temwell's Part No.	TTW3843B-1575M
Approval No. /dated	0604051APR	Acceptable Specify Fo Range	1551-1600M
Work Instruction No.	0604051DC	Date	Aug.24.2006



(3) Electric Character			
Item	Specify	Performance	
Center Freq.(Fo) +/- 0.5 %	1575 MHz	1575 MHz	
Tunable Range:	1575±5 MHz	1575±5 MHz	
Insertion Loss	Typ. 3.0 dB	0.85 dB	
-3 dB Bandwidth	Typ. 100 MHz	114.0 MHz	
Sensitivity (Attenuation)	Fo - 200 MHz	Typ. 36 dBc	39 dBc
	Fo + 200 MHz	Typ. 26 dBc	29 dBc
	Fo - ()MHz	Typ. dBc	dBc
	Fo + ()MHz	Typ. dBc	dBc
Return Loss	Min. 12 dB	18.4 dB	
Ripple	< 1 dB	dB	
Impedance	In / Out : 50 Ω	In / Out : 50 Ω	
(4) Torque for Tuning Screw	> 60gf · cm		
(5) Temperature Condition:			
Operating Temperature	0°C ~ +60°C		
Storage Temperature	-20°C ~ +70°C		
(6) Input Power	> 0.5Watt		



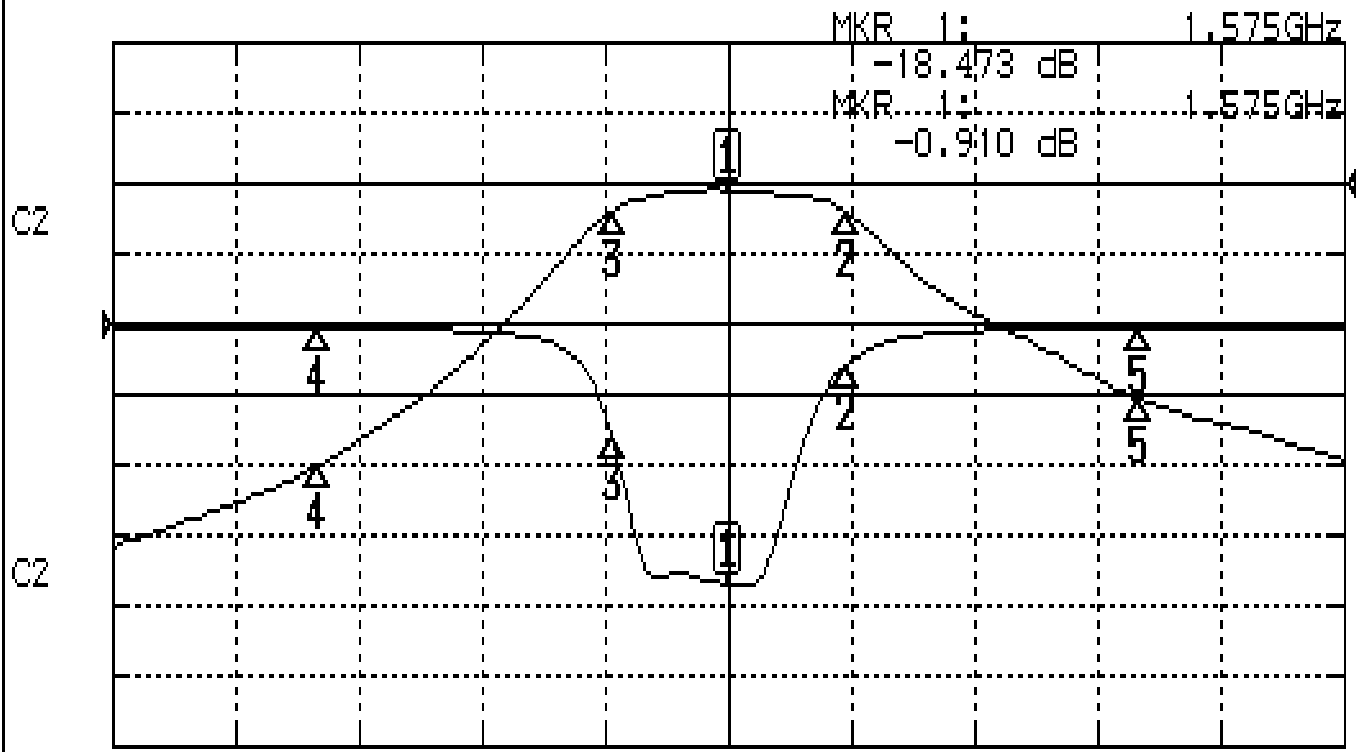
Approval	Supervisor	Designer	Aperture size
C.Y.Chang	C.S.Chang	P.H.Chiang	5W3(3.8*5.1)(5.11) 5HW046RB3.2

TEMWELL CORPORATION

Performance-TTW3843B-1575M

0604051DC

CH1 S11 LOG MAG REF 0.000 dB 5.000 dB/
CH2 S21 LOG MAG REF 0.000 dB 10.000 dB/



CENTER 1.575GHz

[10.00 dBm]

SPAN 600MHz

CH1 MARKER LIST

Marker	Frequency (GHz)	Magnitude (dB)
1	1.575 000	-18.473
2	1.632 500	-2.853
3	1.518 500	-7.912
4	1.375 000	-0.248
5	1.775 000	-0.293

CH2 MARKER LIST

Marker	Frequency (GHz)	Magnitude (dB)
1	1.575 000	-0.910
2	1.632 500	-3.967
3	1.518 500	-3.816
4	1.375 000	-40.115
5	1.775 000	-30.630