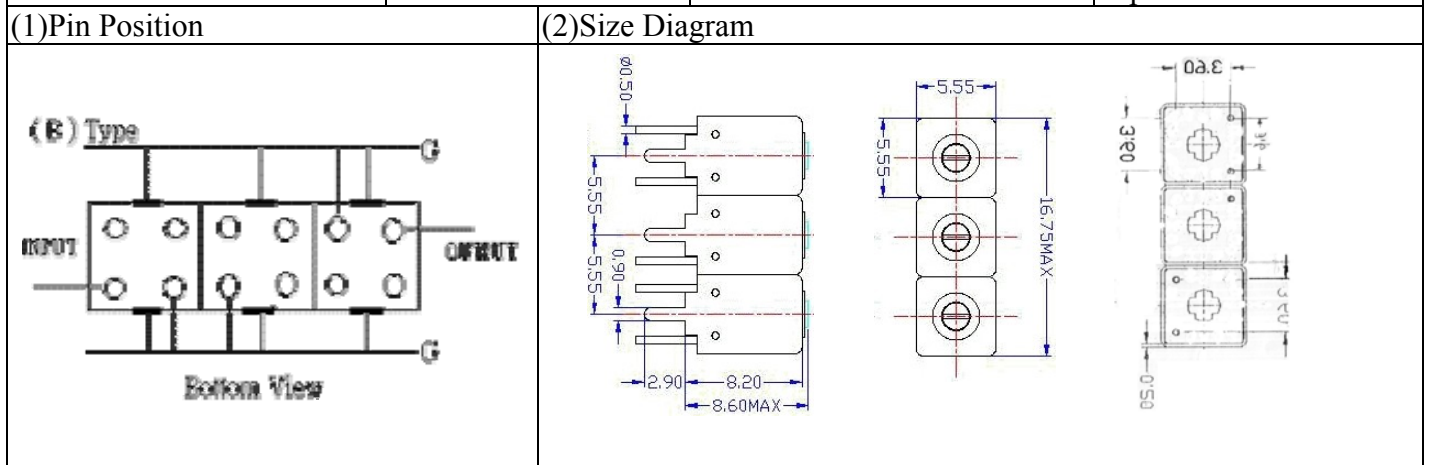


VHF UHF Helical Filter Specification Sheet

Customer Name		Temwell's Part No.	TTW3837B-2500M
Approval No. /dated	0602112APR	Acceptable Specify Fo Range	2451-2500 MHz
Work Instruction No.	0602112DB	Date	Sep.04.2006



(3) Electric Character

Item	Specify	Performance
Center Freq.(Fo) +/- 0.5 %	2500 MHz	2500 MHz
Tunable Range:	2500±5 MHz	2500±5 MHz
Insertion Loss	Typ. 2.5 dB	1.54 dB
-3 dB Bandwidth	Typ. 204 MHz	225.0 MHz
Sensitivity (Attenuation)	Fo - 400 MHz	Typ. 41 dBc
	Fo + 400 MHz	Typ. 25 dBc
	Fo - ()MHz	Typ. dBc
	Fo +()MHz	Typ. dBc
Return Loss	Min. 12 dB	19.1 dB
Ripple	< 1 dB	dB
Impedance	In / Out : 50 Ω	In / Out : 50 Ω

(4) Torque for Tuning Screw > 60gf · cm

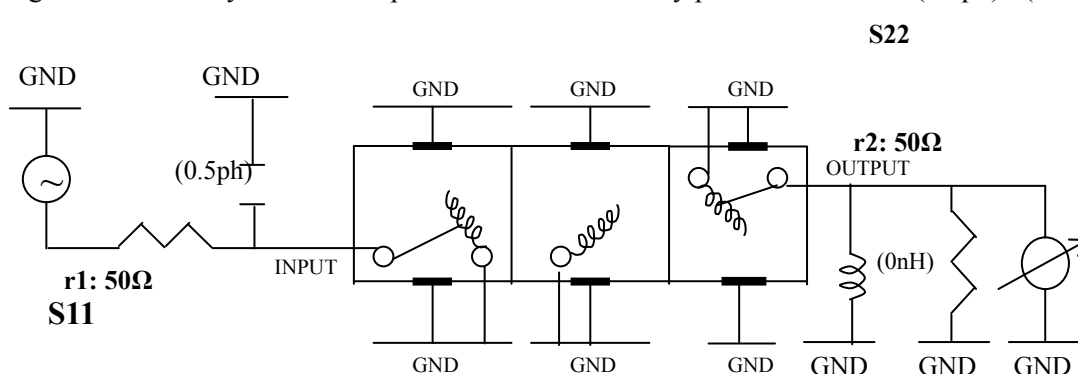
(5) Temperature Condition:

Operating Temperature 0°C ~ +60°C

Storage Temperature -20°C ~ +70°C

(6) Input Power > 0.5Watt

(7) Measuring Circuit: ※Easy to match Impedance S11/S22 50Ω by parallel with about(0.5ph) / (0nH).



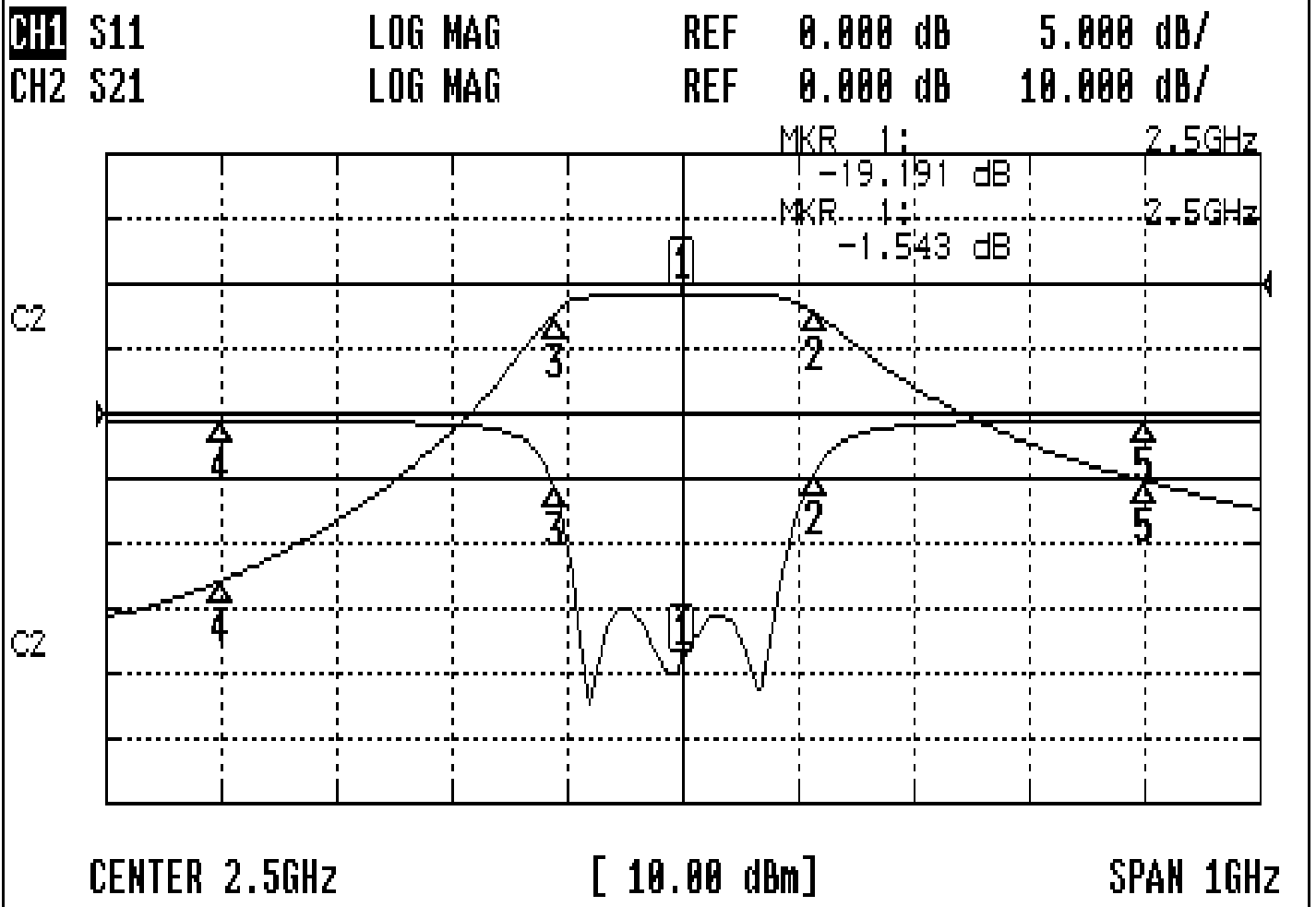
(Bottom View)

Approval	Supervisor	Designer	Aperture size
C.Y.Chang	C.S.Chang	P.H.Chiang	5W3(3.8*4.0)(4.27) 5HW046RB4

TEMWELL CORPORATION

Performance-TTW3837B-2500M

0602112DB



CH1 MARKER LIST

1:	2.500	000GHz	-19.191	dB
2:	2.614	166GHz	-4.608	dB
3:	2.389	166GHz	-5.648	dB
4:	2.100	000GHz	-0.549	dB
5:	2.900	000GHz	-0.664	dB

CH2 MARKER LIST

1:	2.500	000GHz	-1.543	dB
2:	2.614	166GHz	-4.517	dB
3:	2.389	166GHz	-4.581	dB
4:	2.100	000GHz	-45.782	dB
5:	2.900	000GHz	-30.404	dB