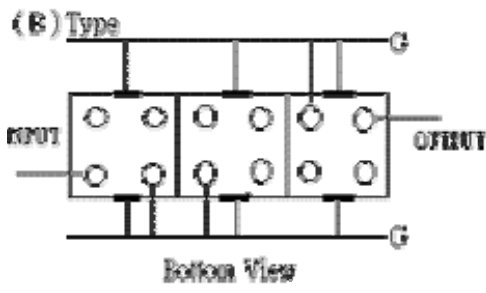
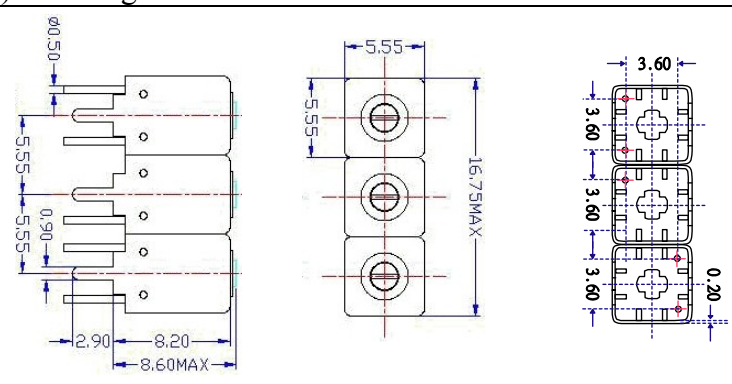


VHF UHF Helical Filter Specification Sheet

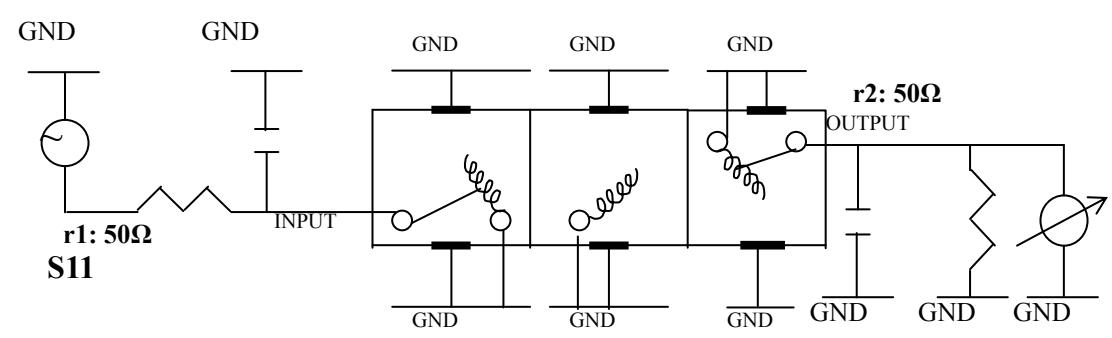
Customer Name		Temwell's Part No.	TTW3834B-2400M
Approval No. /dated	201407155CD	Temwell's Print Name.	3834B 2400M
Work Instruction No.	201407155CD	Date	Jan.15.2015

<p>(1) Pin Position</p> 	<p>(2) Size Diagram</p> 
---	--

(3) Electric Character			
Item	Specify	Performance	
Center Freq.(Fo) +/- 0.5 %	2400 MHz	2400	MHz
Insertion Loss	Typ. 2.5 dB	1.45	dB
-3 dB Bandwidth	Typ. 180 MHz	195.3	MHz
Sensitivity (Attenuation)	Fo - 300 MHz	Typ. 37	dBc
	Fo + 300 MHz	Typ. 22	dBc
	Fo - ()MHz	Typ.	dBc
	Fo +()MHz	Typ.	dBc
Return Loss	Min. 12 dB	21.1	dB
Ripple	< 1 dB		dB
Impedance	In / Out : 50 Ω	In / Out : 50 Ω	
(4) Torque for Tuning Screw		> 60gf · cm	
(5) Temperature Condition:			
Operating Temperature	0°C ~ +60°C		
Storage Temperature	-20°C ~ +70°C		
(6) Input Power		> 0.5Watt	

(7) Measuring Circuit: ※Easy to match Impedance S11/S22 50Ω by parallel with about(--)

S22



(Bottom View)

Approval C.Y.Chang	Supervisor C.K.Chang	Designer C.S.Chang	Aperture size 5W3S(3.8*5.1)(5.12) 5HW046RB3.2(J1)
-----------------------	-------------------------	-----------------------	---

Performance-TTW3834B-2400M

201407155CD

