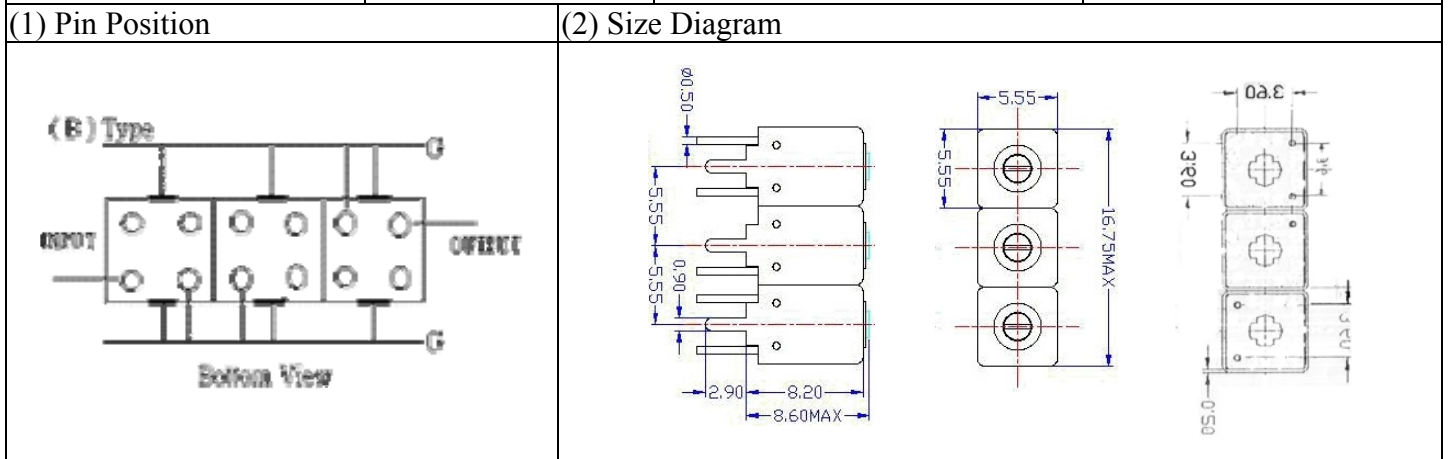


VHF UHF Helical Filter Specification Sheet

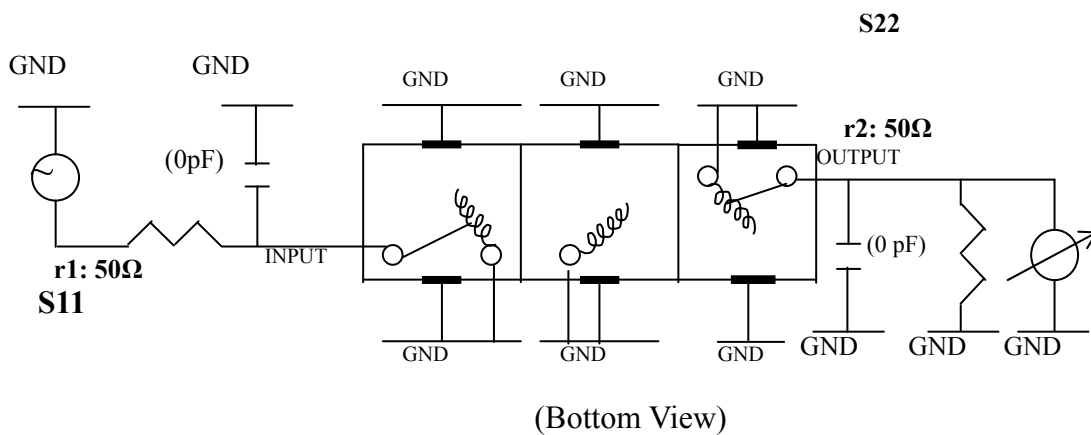
Customer Name		Temwell's Part No.	TTW3831B-1825M
Approval No. /dated	0512085APR	Acceptable Specify Fo Range	1801-1850 MHz
Work Instruction No.	0512085DC	Date	Jan.20.2006



(3) Electric Character		Specify	Performance
Center Freq. (Fo) +/- 0.5 %		1825 MHz	1825 MHz
Tunable Range:		1825±5 MHz	1825±5 MHz
Insertion Loss		Typ. 3.5 dB	2.50 dB
-3 dB Bandwidth		Typ. 72 MHz	87.8 MHz
Sensitivity (Attenuation)	Fo - 150 MHz	Typ. 36 dBc	39 dBc
	Fo + 150 MHz	Typ. 20 dBc	23 dBc
	Fo - ()MHz	Typ. dBc	dBc
	Fo + ()MHz	Typ. dBc	dBc
Return Loss		Min. 12 dB	29.3 dB
Ripple		< 1 dB	dB
Impedance		In / Out : 50 Ω	In / Out : 50 Ω

(4) Torque for Tuning Screw	> 60gf · cm
(5) Temperature Condition:	
Operating Temperature	0°C ~ +60°C
Storage Temperature	-20°C ~ +70°C
(6) Input Power	> 0.5Watt

(7) Measuring Circuit: ※Easy to match Impedance S11/S22 50Ω by parallel with about(0pF) / (0pF).

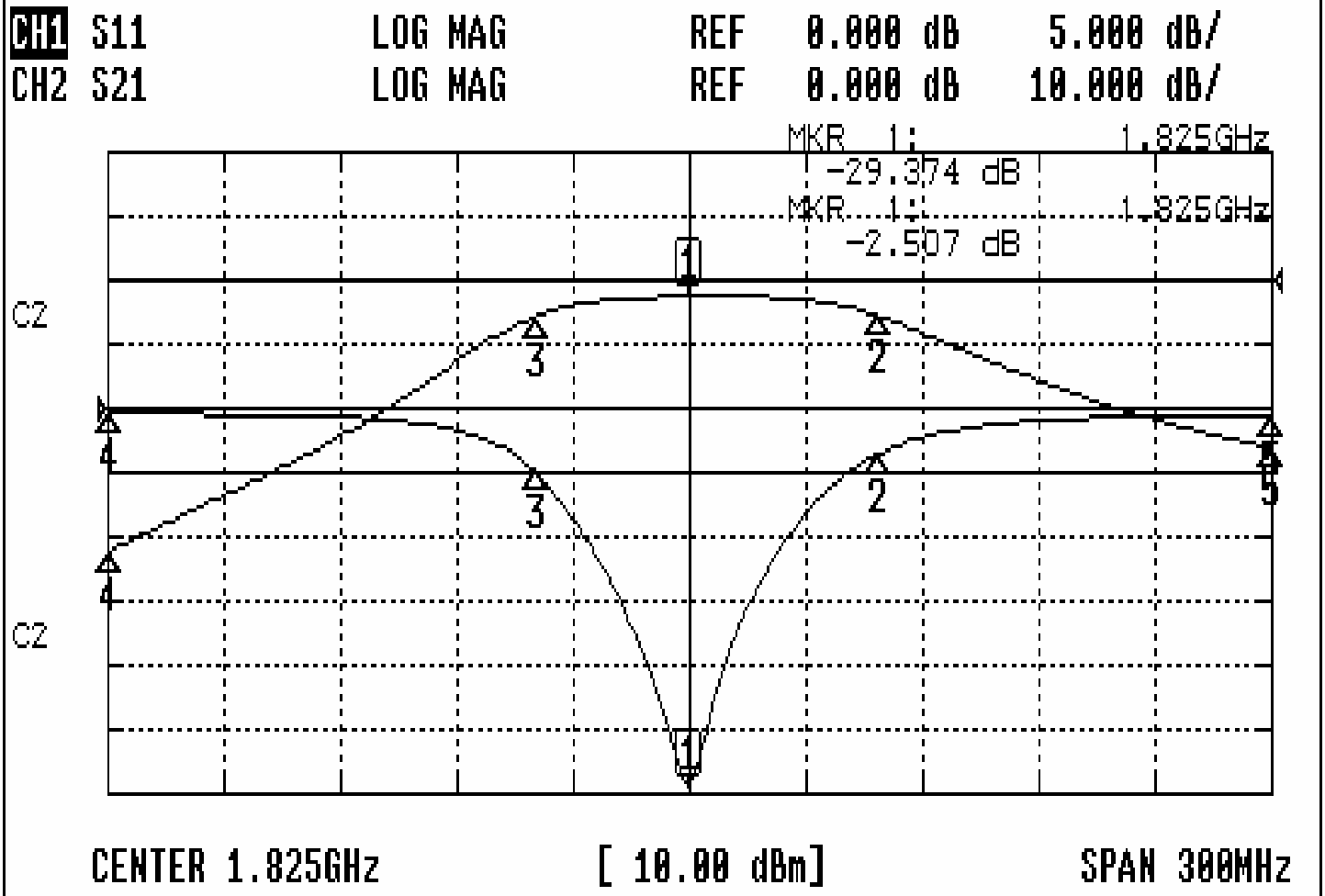


Approval	Supervisor	Designer	Aperture size
C.Y. Chang	C.S. Chang	C.S. Chang	5W3, 3.8*5.1 (5.12) 5HW046RB3.2

TEMWELL CORPORATION

Performance-TTW3831B-1825M

0512085DC



CH1 MARKER LIST

Marker	Freq (GHz)	Magnitude (dB)
1	1.825000	-29.374
2	1.875000	-3.567
3	1.785000	-5.073
4	1.675000	-0.369
5	1.975000	-0.482

CH2 MARKER LIST

Marker	Freq (GHz)	Magnitude (dB)
1	1.825000	-2.507
2	1.875000	-5.496
3	1.785000	-5.511
4	1.675000	-42.172
5	1.975000	-26.115