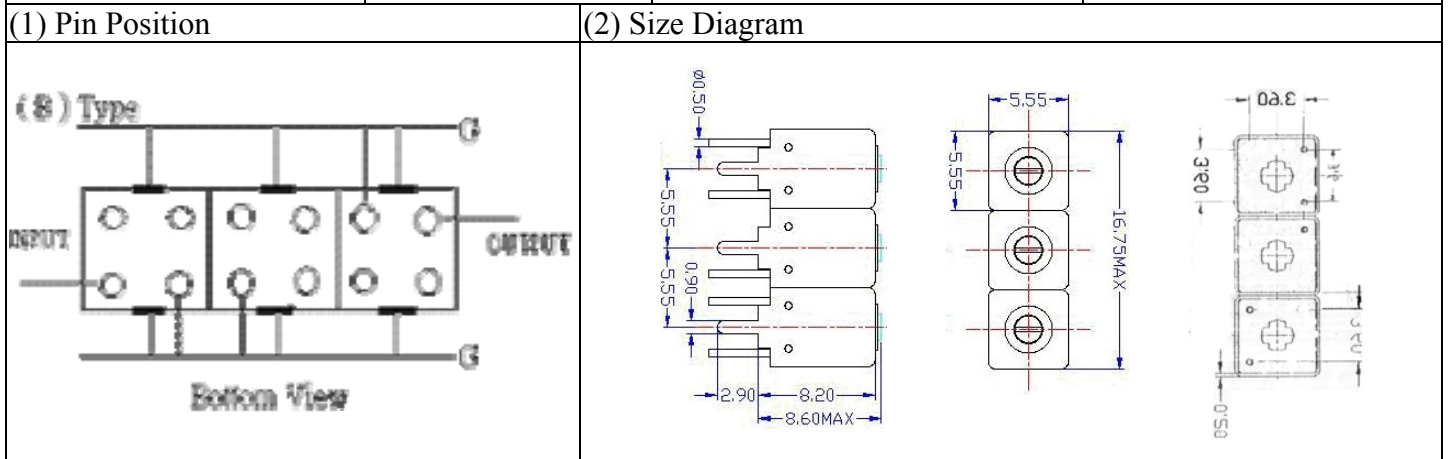


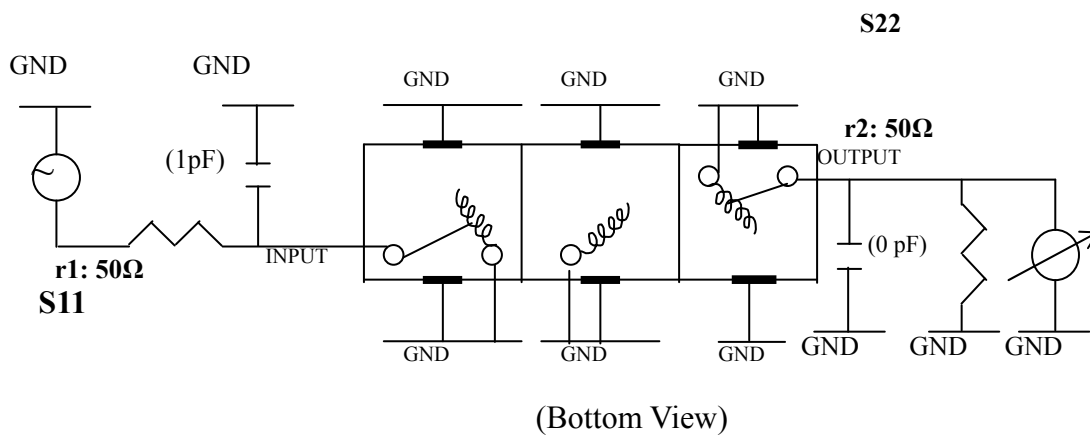
VHF UHF Helical Filter Specification Sheet

Customer Name		Temwell's Part No.	TTW3830B-1875M
Approval No. /dated	0512084APR	Acceptable Specify Fo Range	1851-1900 MHz
Work Instruction No.	0512084DC	Date	Jan.18.2006



(3) Electric Character		Item	Specify	Performance
Center Freq. (Fo) +/- 0.5 %			1875 MHz	1875 MHz
Tunable Range:			1875±5 MHz	1875±5 MHz
Insertion Loss		Typ.	4.0 dB	3.23 dB
-3 dB Bandwidth		Typ.	60 MHz	75.8 MHz
Sensitivity (Attenuation)	Fo - 150 MHz	Typ.	40 dBc	43 dBc
	Fo + 150 MHz	Typ.	21 dBc	24 dBc
	Fo - ()MHz	Typ.	dBc	dBc
	Fo +()MHz	Typ.	dBc	dBc
Return Loss		Min.	12 dB	17.9 dB
Ripple			< 1 dB	dB
Impedance			In / Out : 50 Ω	In / Out : 50 Ω
(4) Torque for Tuning Screw			> 60gf · cm	
(5) Temperature Condition:				
Operating Temperature			0°C ~ +60°C	
Storage Temperature			-20°C ~ +70°C	
(6) Input Power			> 0.5Watt	

(7) Measuring Circuit: ※Easy to match Impedance S11/S22 50Ω by parallel with about(1pF) / (0pF).

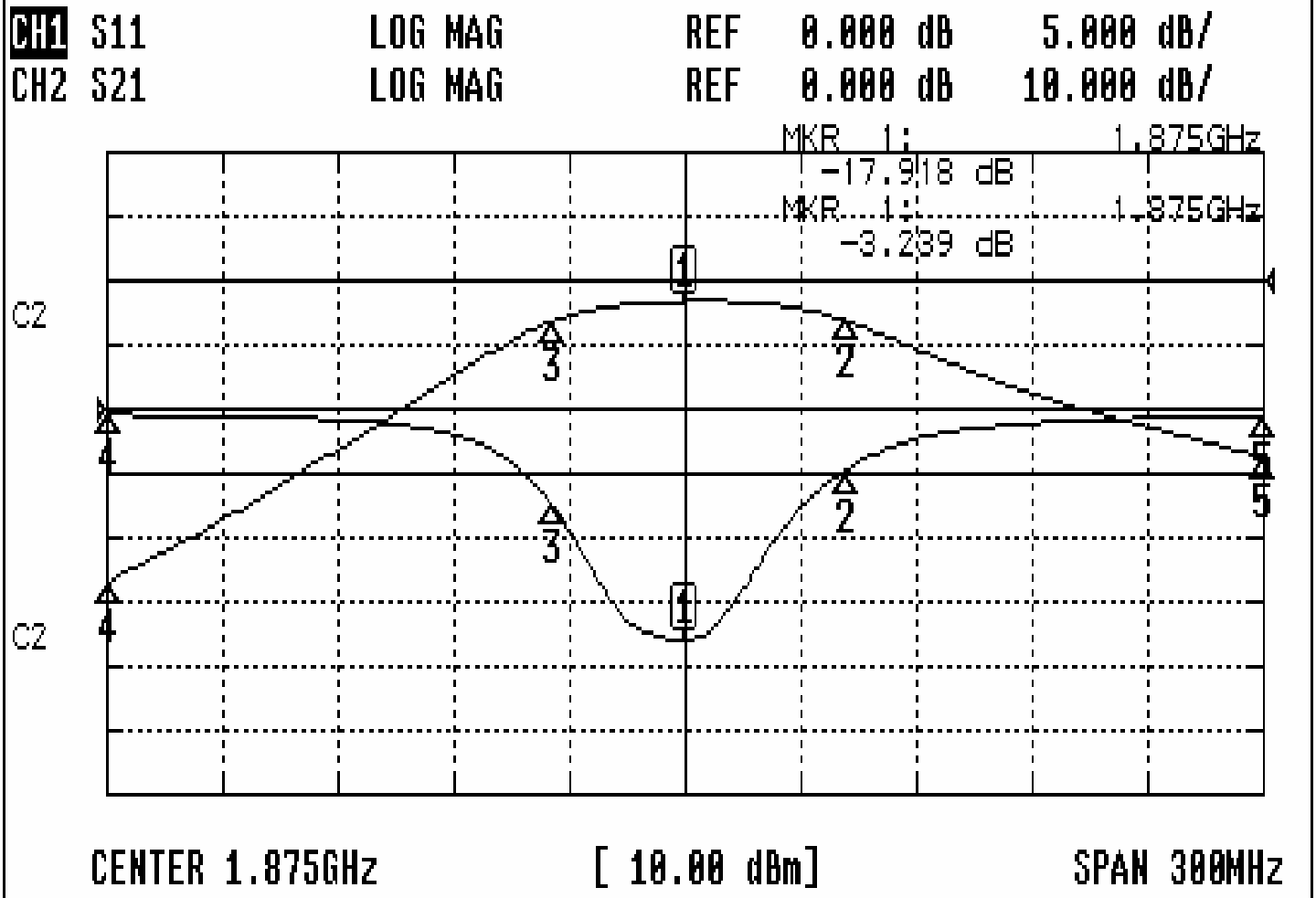


Approval	Supervisor	Designer	Aperture size
C.Y. Chang	C.S. Chang	C.S. Chang	5W3, 3.8*5.1 (5.12) 5HW046RB3.2

TEMWELL CORPORATION

Performance-TTW3830B-1875M

0512084DC



CH1 MARKER LIST

1	1.875	000GHz	-17.918	dB
2	1.916	500GHz	-4.731	dB
3	1.840	750GHz	-7.481	dB
4	1.725	000GHz	-0.425	dB
5	2.025	000GHz	-0.550	dB

CH2 MARKER LIST

1	1.875	000GHz	-3.239	dB
2	1.916	500GHz	-6.228	dB
3	1.840	750GHz	-6.231	dB
4	1.725	000GHz	-46.934	dB
5	2.025	000GHz	-27.460	dB