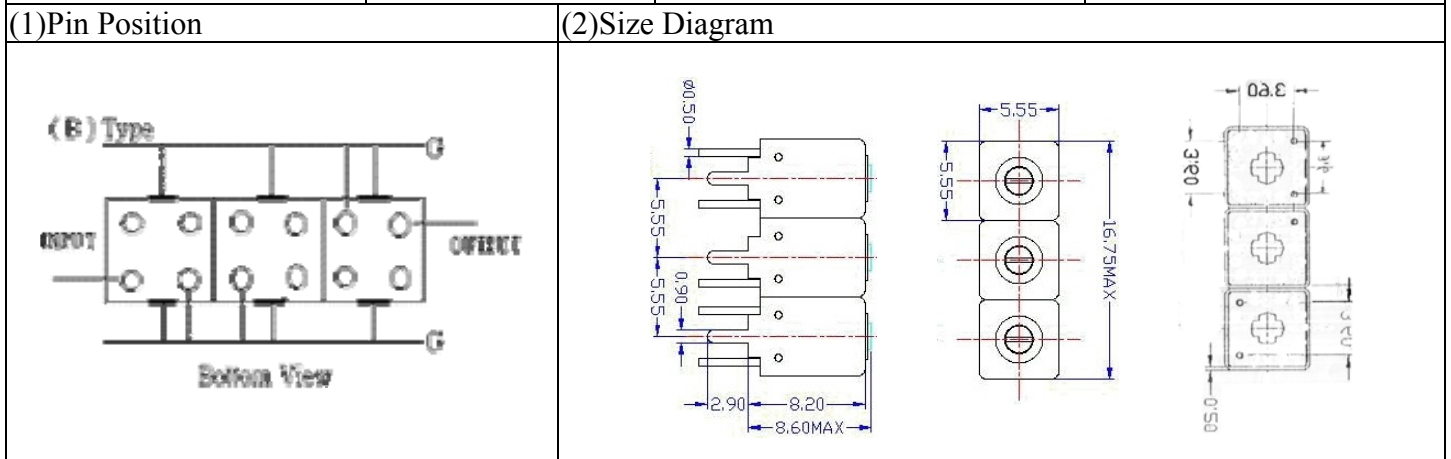


VHF UHF Helical Filter Specification Sheet

Customer Name		Temwell's Part No.	TTW3829B-2175M
Approval No. /dated	0512083APR	Acceptable Specify Fo Range	2151-2200 MHz
Work Instruction No.	0512083DC	Date	Feb.08.2006

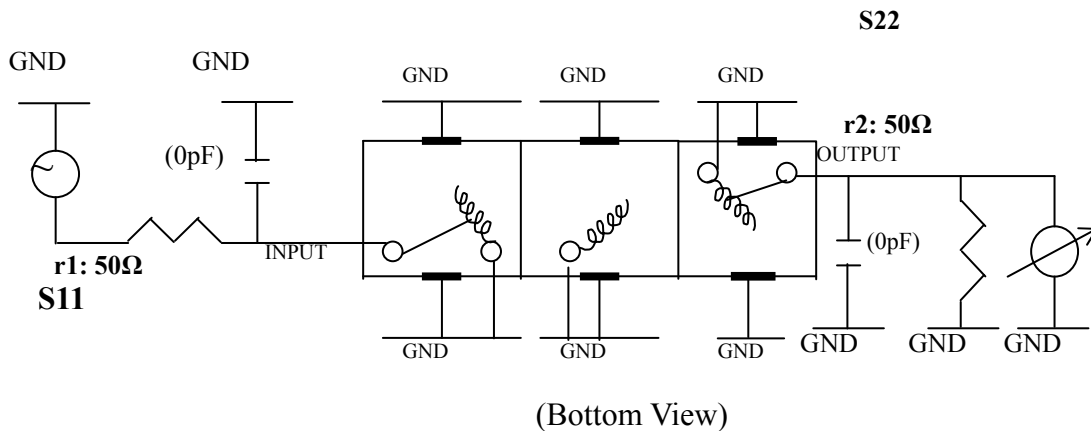


(3) Electric Character		Item	Specify	Performance
Center Freq. (Fo) +/- 0.5 %			2175 MHz	2175 MHz
Tunable Range:			2175±5 MHz	2175±5 MHz
Insertion Loss		Typ.	4.5 dB	3.68 dB
-3 dB Bandwidth		Typ.	45 MHz	63.3 MHz
Sensitivity (Attenuation)	Fo - 100 MHz	Typ.	28 dBc	31 dBc
	Fo + 100 MHz	Typ.	20 dBc	23 dBc
	Fo - ()MHz	Typ.	dBc	dBc
	Fo + ()MHz	Typ.	dBc	dBc
Return Loss		Min.	12 dB	21.7 dB
Ripple			< 1 dB	dB
Impedance			In / Out : 50 Ω	In / Out : 50 Ω
(4) Torque for Tuning Screw			> 60gf · cm	

(5) Temperature Condition:	
Operating Temperature	0°C ~ +60°C
Storage Temperature	-20°C ~ +70°C

(6) Input Power	> 0.5Watt
-----------------	-----------

(7) Measuring Circuit: ※Easy to match Impedance S11/S22 50Ω by parallel with about(0pF) / (0pF).



Approval	Supervisor	Designer	Aperture size
C.Y. Chang	C.S. Chang	C.S. Chang	5W3, 3.8*3.5 (3.61) 5HW046RB3.2

TEMWELL CORPORATION

TEMWELL

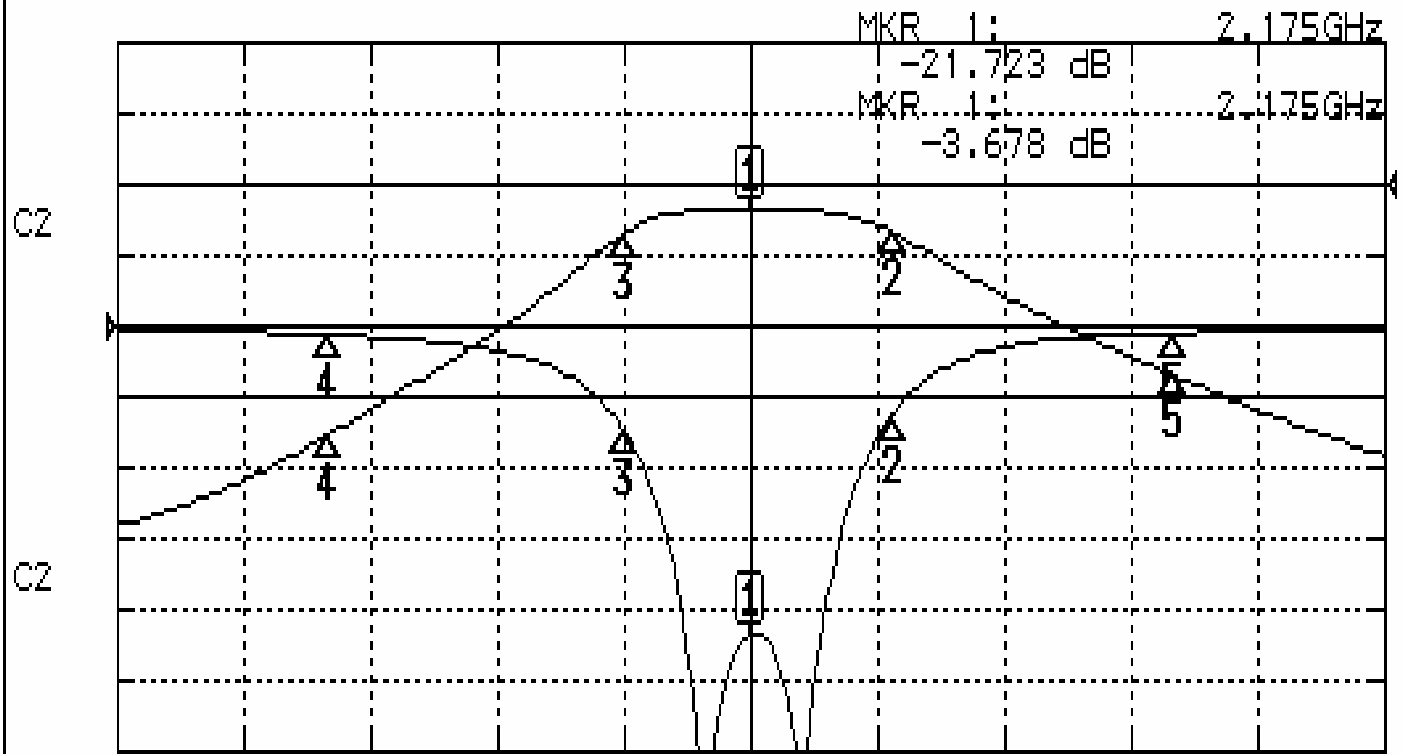
Form10-5W3B Vision D

RP: C.S. Chang

Performance-TTW3829B-2175M

0512083DC

CH1 S11 LOG MAG REF 0.000 dB 5.000 dB/
 CH2 S21 LOG MAG REF 0.000 dB 10.000 dB/



CENTER 2.175GHz

[10.00 dBm]

SPAN 300MHz

CH1 MARKER LIST

1	2.175	000GHz	-21.723	dB
2	2.208	500GHz	-6.256	dB
3	2.145	250GHz	-7.389	dB
4	2.075	000GHz	-0.582	dB
5	2.275	000GHz	-0.470	dB

CH2 MARKER LIST

1	2.175	000GHz	-3.680	dB
2	2.208	500GHz	-6.702	dB
3	2.145	250GHz	-6.701	dB
4	2.075	000GHz	-35.249	dB
5	2.275	000GHz	-26.864	dB