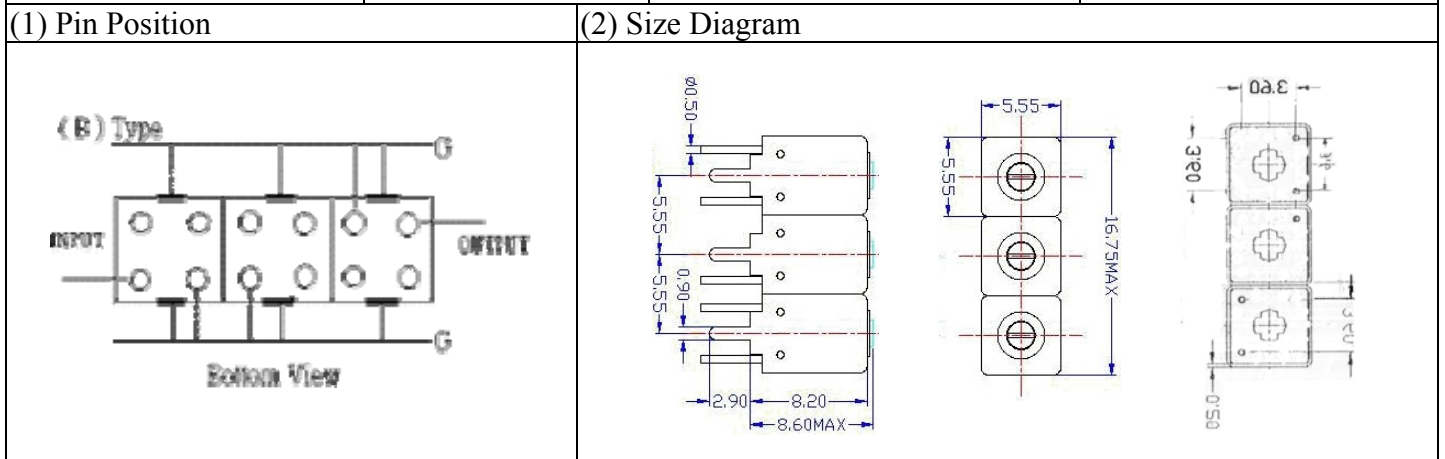


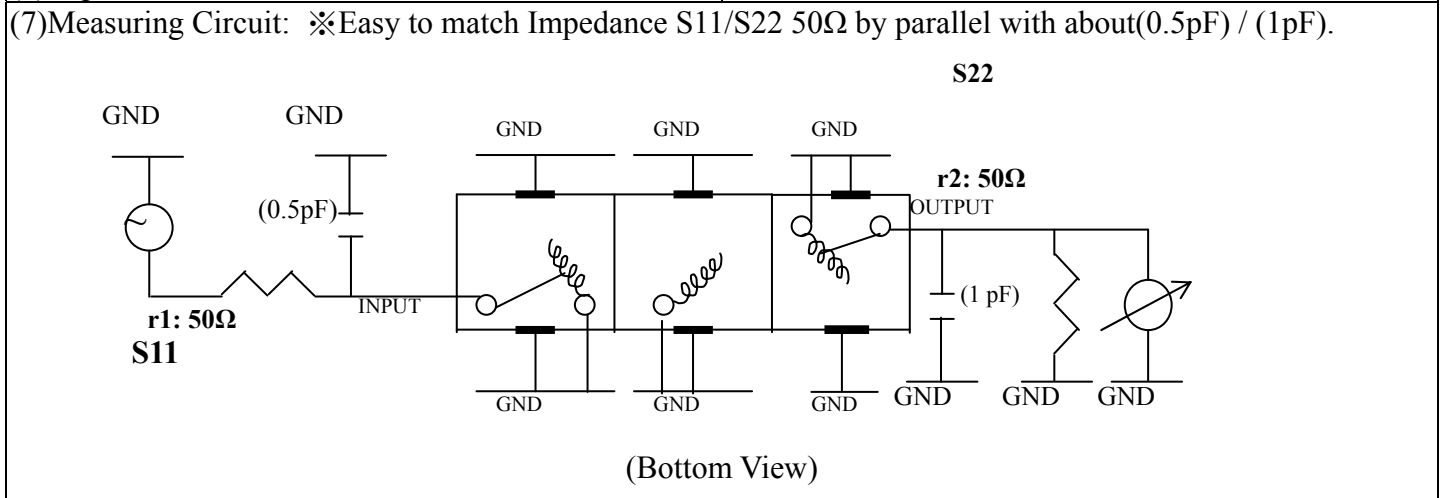
VHF UHF Helical Filter Specification Sheet

Customer Name		Temwell's Part No.	TTW3827B-1975M
Approval No. /dated	0512081APR	Acceptable Specify Fo Range	1951-2000 MHz
Work Instruction No.	0512081DC	Date	Jan.19.2006



(3) Electric Character		Specify	Performance
Item			
Center Freq. (Fo) +/- 0.5 %		1975 MHz	1975 MHz
Tunable Range:		1975±5 MHz	1975±5 MHz
Insertion Loss		Typ. 4.0 dB	3.26 dB
-3 dB Bandwidth		Typ. 47 MHz	63.7 MHz
Sensitivity (Attenuation)	Fo - 150 MHz	Typ. 37 dBc	40 dBc
	Fo + 150 MHz	Typ. 23 dBc	26 dBc
	Fo - ()MHz	Typ. dBc	dBc
	Fo +()MHz	Typ. dBc	dBc
Return Loss		Min. 12 dB	17.8 dB
Ripple		< 1 dB	dB
Impedance		In / Out : 50 Ω	In / Out : 50 Ω

(4) Torque for Tuning Screw	> 60gf · cm
(5) Temperature Condition:	
Operating Temperature	0°C ~ +60°C
Storage Temperature	-20°C ~ +70°C
(6) Input Power	> 0.5Watt

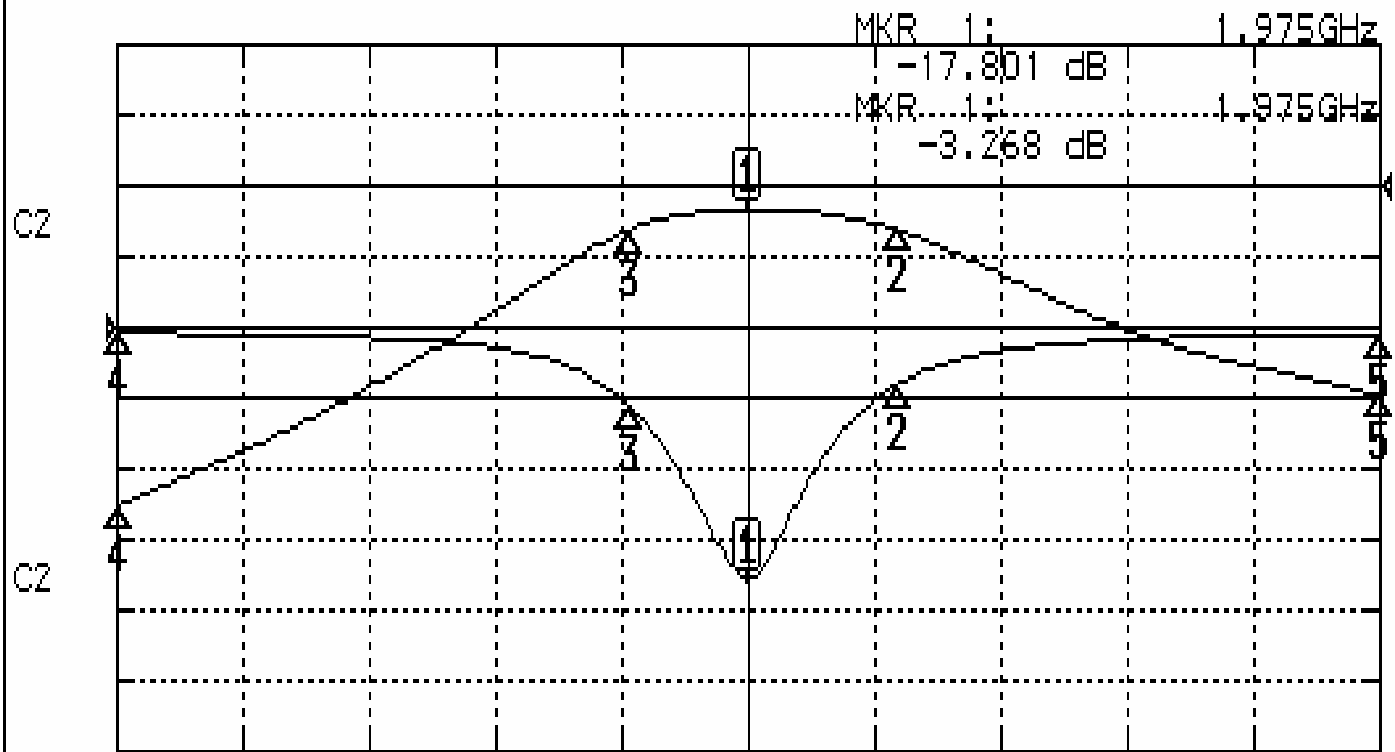


Approval	Supervisor	Designer	Aperture size
C.Y. Chang	C.S. Chang	C.S. Chang	5W3, 3.8*4.0 (4.25) 5HW046RB3.2

Performance-TTW3827B-1975M

0512081DC

CH1 S11 LOG MAG REF 0.000 dB 5.000 dB/
CH2 S21 LOG MAG REF 0.000 dB 10.000 dB/



CENTER 1.975GHz

[10.00 dBm]

SPAN 300MHz

CH1 MARKER LIST

1	1.975	000GHz	-17.801	dB
2	2.010	250GHz	-4.095	dB
3	1.946	500GHz	-5.460	dB
4	1.825	000GHz	-0.402	dB
5	2.125	000GHz	-0.490	dB

CH2 MARKER LIST

1	1.975	000GHz	-3.268	dB
2	2.010	250GHz	-6.241	dB
3	1.946	500GHz	-6.246	dB
4	1.825	000GHz	-45.021	dB
5	2.125	000GHz	-29.598	dB