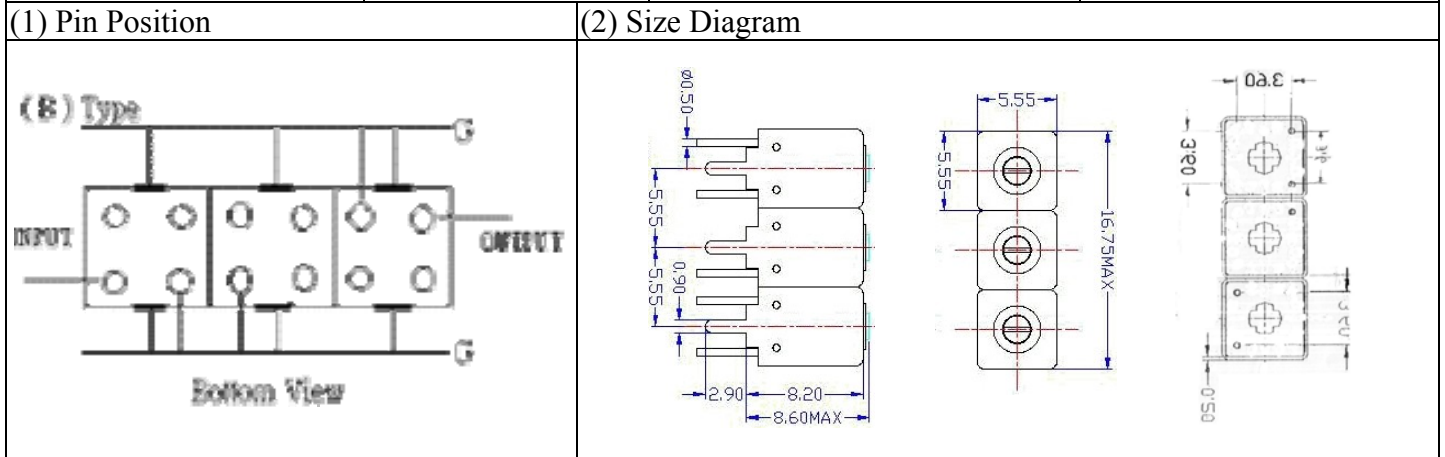
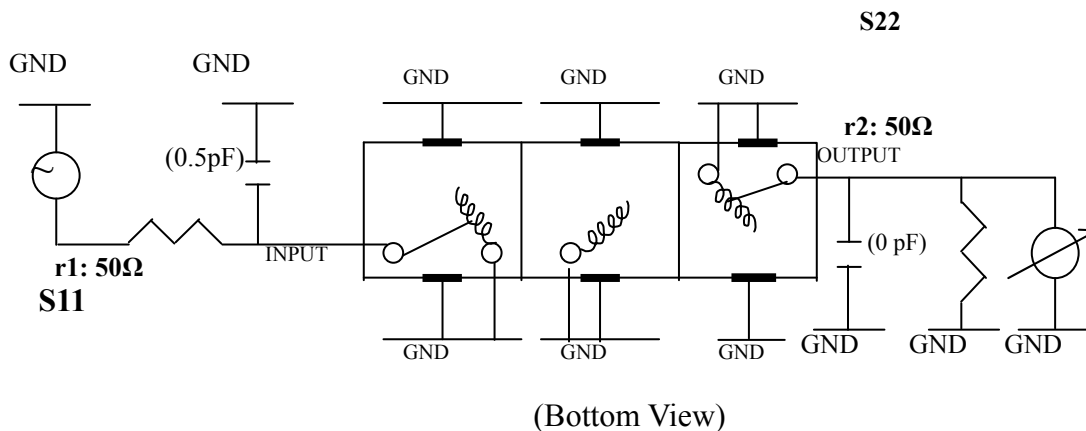


VHF UHF Helical Filter Specification Sheet

Customer Name		Temwell's Part No.	TTW3826B-1875M
Approval No. /dated	0512080APR	Acceptable Specify Fo Range	1851-1900 MHz
Work Instruction No.	0512080DC	Date	Jan.19.2006



(3) Electric Character			
Item	Specify		Performance
Center Freq. (Fo) +/- 0.5 %	1875	MHz	1875 MHz
Tunable Range:	1875±5	MHz	1875±5 MHz
Insertion Loss	Typ. 3.5	dB	2.35 dB
-3 dB Bandwidth	Typ. 45	MHz	61.7 MHz
Sensitivity (Attenuation)	Fo - 150 MHz	Typ. 40	dBc
	Fo + 150 MHz	Typ. 27	dBc
	Fo - ()MHz	Typ.	dBc
	Fo +()MHz	Typ.	dBc
Return Loss	Min. 12	dB	17.7 dB
Ripple	< 1	dB	dB
Impedance	In / Out : 50 Ω		In / Out : 50 Ω
(4) Torque for Tuning Screw			
> 60gf · cm			
(5) Temperature Condition:			
Operating Temperature	0°C ~ +60°C		
Storage Temperature	-20°C ~ +70°C		
(6) Input Power			
> 0.5Watt			
(7) Measuring Circuit: ※Easy to match Impedance S11/S22 50Ω by parallel with about(0.5pF) / (0pF).			



Approval	Supervisor	Designer	Aperture size
C.Y. Chang	C.S. Chang	C.S. Chang	5W3, 3.8*4.0 (4.26) 5HW046RB3.2

TEMWELL CORPORATION

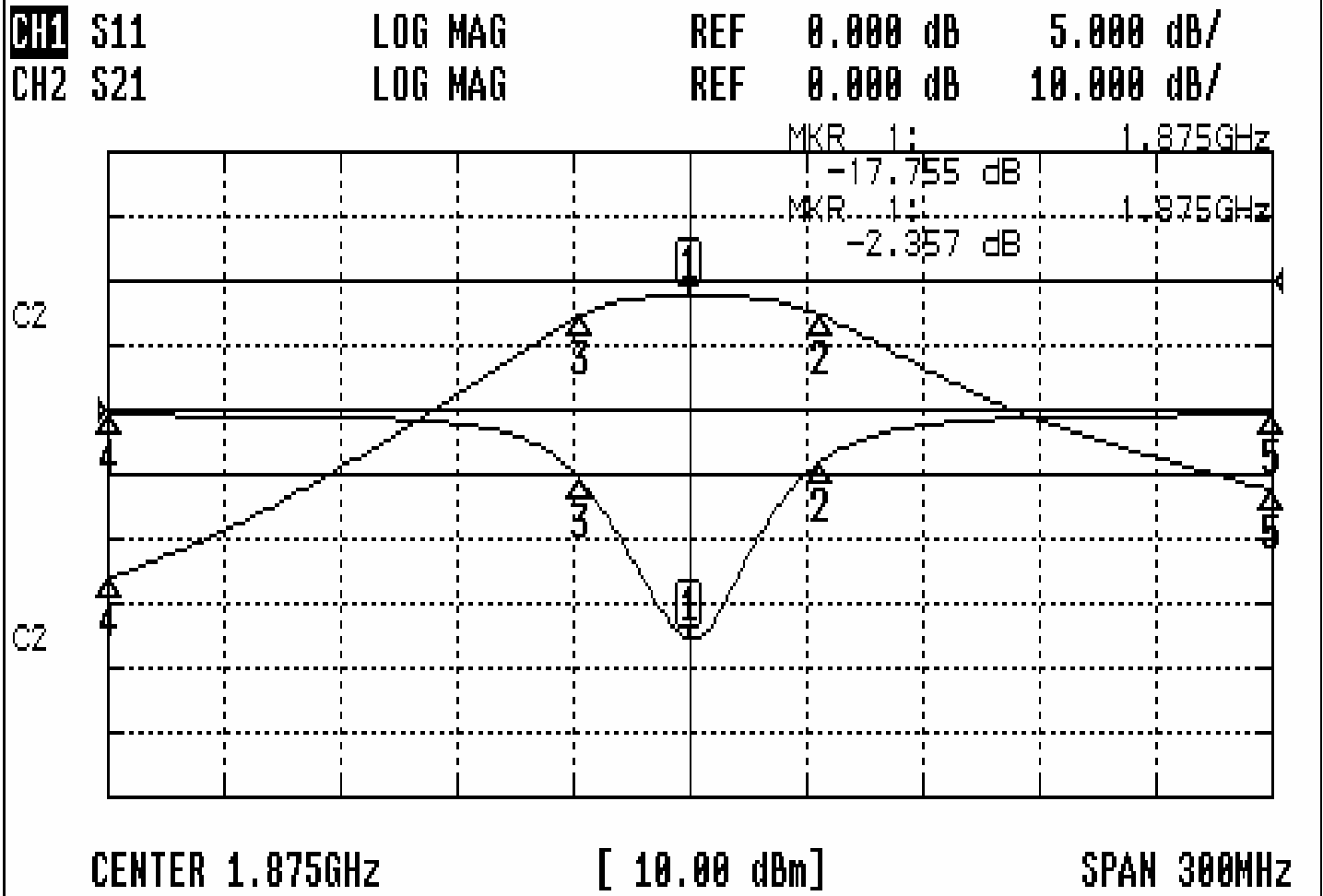
TEMWELL

Form10-5W3B Vision D

RP: C.S. Chang

Performance-TTW3826B-1875M

0512080DC



CH1 MARKER LIST

Marker	Freq (GHz)	Magnitude (dB)
1	1.875000	-17.765
2	1.908750	-4.032
3	1.847000	-5.460
4	1.725000	-0.408
5	2.025000	-0.385

CH2 MARKER LIST

Marker	Freq (GHz)	Magnitude (dB)
1	1.875000	-2.357
2	1.908750	-5.337
3	1.847000	-5.373
4	1.725000	-46.147
5	2.025000	-32.512