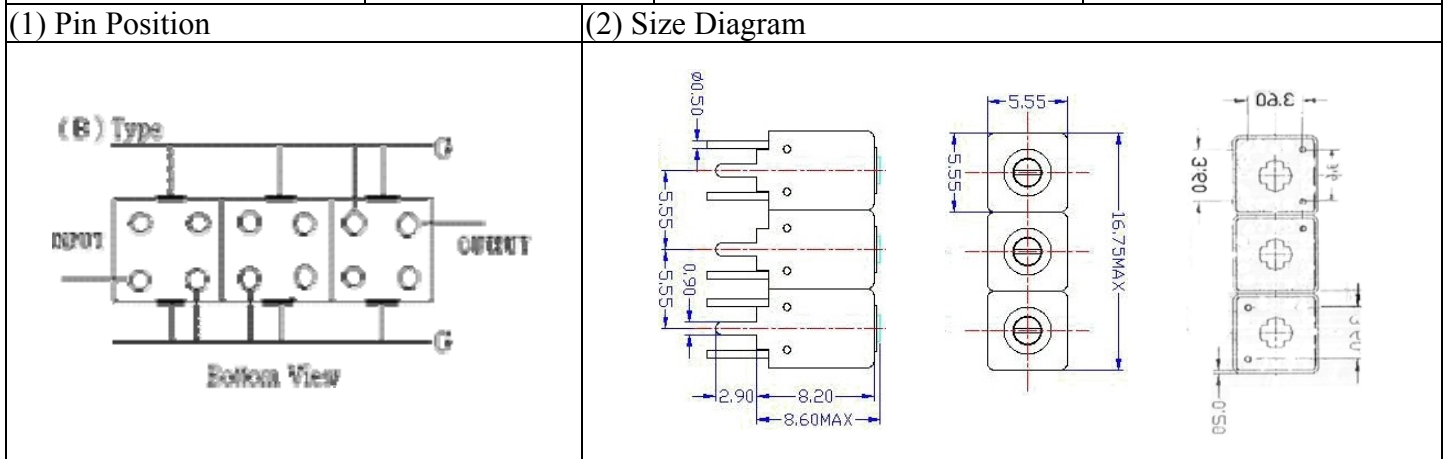


# VHF UHF Helical Filter Specification Sheet

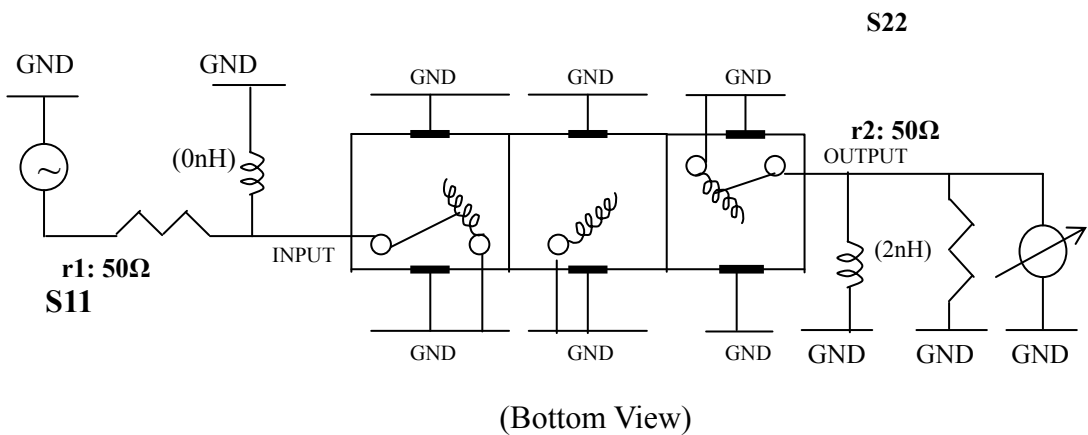
Customer Name		Temwell's Part No.	TTW3825B-1675M
Approval No. /dated	0512079APR	Acceptable Specify Fo Range	1651-1700 MHz
Work Instruction No.	0512079DC	Date	Jan.23.2006



Item		Specify		Performance	
Center Freq. (Fo) +/- 0.5 %		1675	MHz	1675	MHz
Tunable Range:		1675±5	MHz	1675±5	MHz
Insertion Loss		Typ. 3.0	dB	2.09	dB
-3 dB Bandwidth		Typ. 45	MHz	60.2	MHz
Sensitivity (Attenuation)	Fo - 150 MHz	Typ. 46	dBc	49	dBc
	Fo + 150 MHz	Typ. 26	dBc	29	dBc
	Fo - ( )MHz	Typ.	dBc		dBc
	Fo + ( )MHz	Typ.	dBc		dBc
Return Loss		Min. 12	dB	23.0	dB
Ripple		< 1	dB		dB
Impedance		In / Out : 50 Ω		In / Out : 50 Ω	

(4) Torque for Tuning Screw		> 60gf · cm
(5) Temperature Condition:		
Operating Temperature	0°C ~ +60°C	
Storage Temperature	-20°C ~ +70°C	
(6) Input Power	> 0.5Watt	

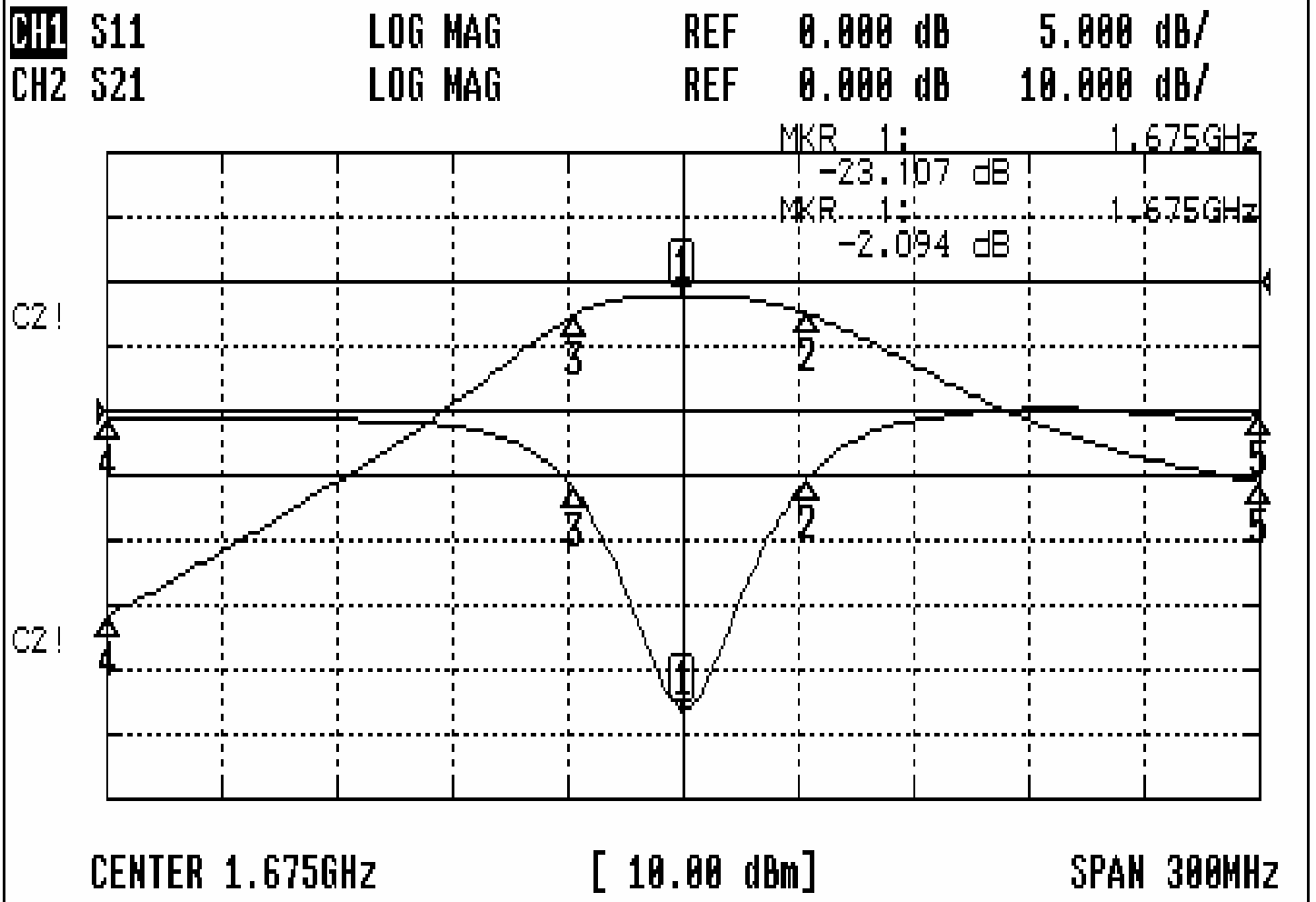
(7) Measuring Circuit: ※Easy to match Impedance S11/S22 50Ω by parallel with about(0nH) / (2nH).



Approval	Supervisor	Designer	Aperture size
C.Y. Chang	C.S. Chang	C.S. Chang	5W3S(3.8*4.0)(4.12) 5HW046RB3.2
TEMWELL CORPORATION			

# Performance-TTW3825B-1675M

## 0512079DC



### CH1 MARKER LIST

1:	1.675	000GHz	-23.092	dB
2:	1.707	250GHz	-15.407	dB
3:	1.647	000GHz	-16.119	dB
4:	1.525	000GHz	-10.691	dB
5:	1.825	000GHz	-0.422	dB
6:				
7:				
8:				
9:				
10:				

### CH2 MARKER LIST

1:	1.675	000GHz	-2.094	dB
2:	1.707	250GHz	-15.028	dB
3:	1.647	000GHz	-15.058	dB
4:	1.525	000GHz	-15.846	dB
5:	1.825	000GHz	-31.026	dB
6:				
7:				
8:				
9:				
10:				