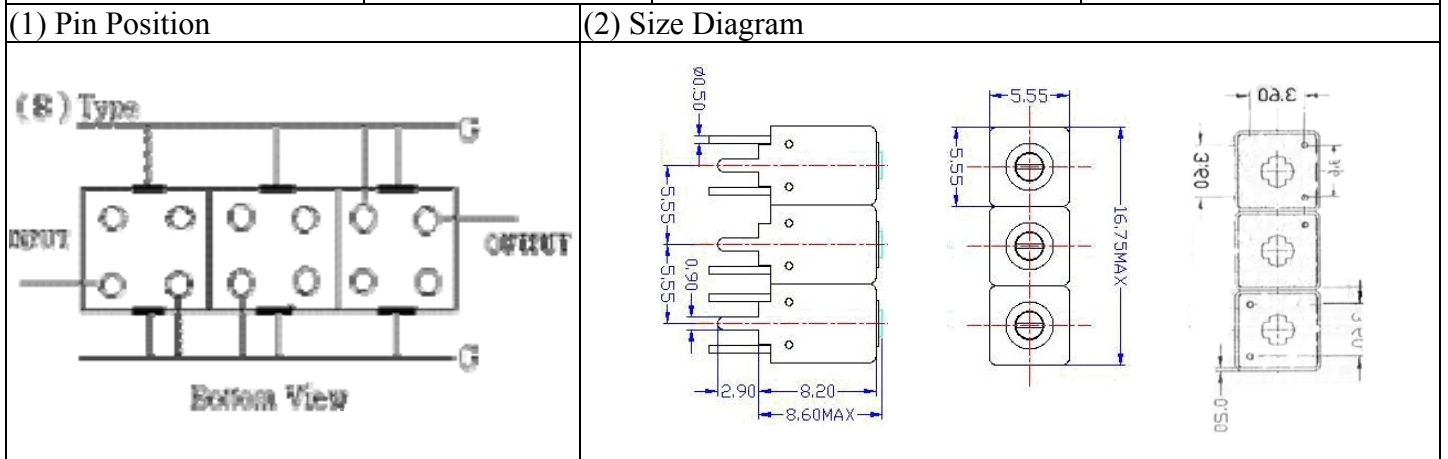
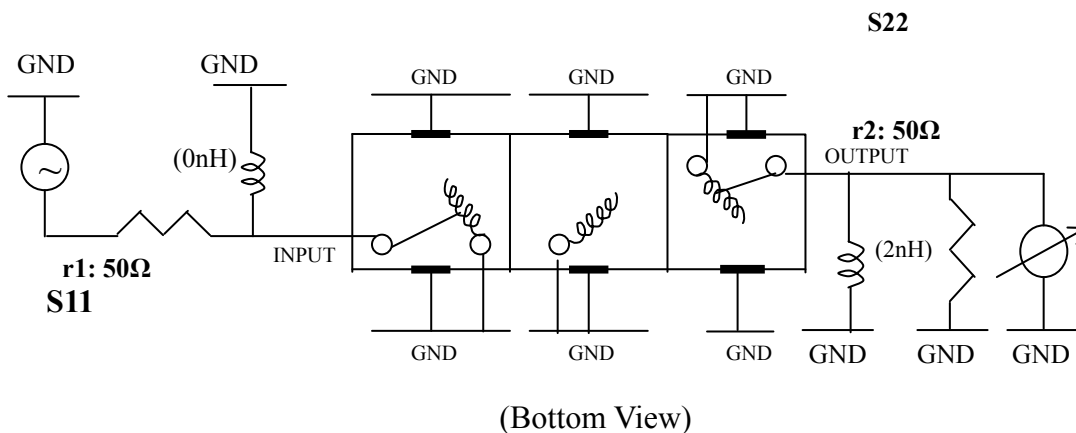


VHF UHF Helical Filter Specification Sheet

Customer Name		Temwell's Part No.	TTW3822B-1525M
Approval No. /dated	0512076APR	Acceptable Specify Fo Range	1501-1550 MHz
Work Instruction No.	0512076DC	Date	Jan.20.2006



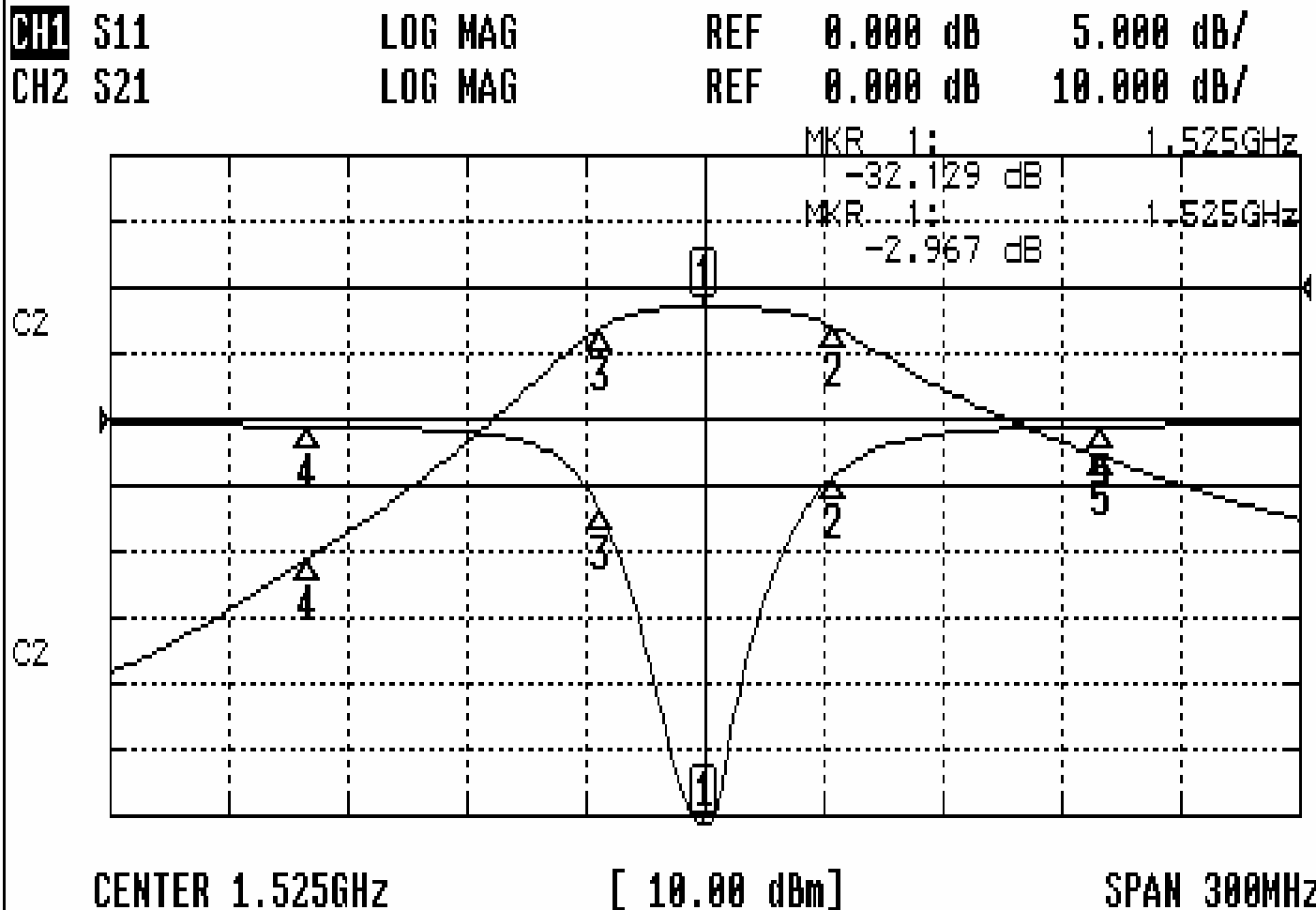
(3) Electric Character			
Item	Specify		Performance
Center Freq. (Fo) +/- 0.5 %	1525	MHz	1525 MHz
Tunable Range:	1525±5	MHz	1525±5 MHz
Insertion Loss	Typ. 4.0	dB	2.96 dB
-3 dB Bandwidth	Typ. 45	MHz	58.5 MHz
Sensitivity (Attenuation)	Fo - 100 MHz	Typ. 35	dBc
	Fo + 100 MHz	Typ. 19	dBc
	Fo - ()MHz	Typ.	dBc
	Fo + ()MHz	Typ.	dBc
Return Loss	Min. 12	dB	32.1 dB
Ripple	< 1	dB	dB
Impedance	In / Out : 50 Ω		In / Out : 50 Ω
(4) Torque for Tuning Screw			
> 60gf · cm			
(5) Temperature Condition:			
Operating Temperature	0°C ~ +60°C		
Storage Temperature	-20°C ~ +70°C		
(6) Input Power			
> 0.5Watt			
(7) Measuring Circuit: ※Easy to match Impedance S11/S22 50Ω by parallel with about(0nH) / (2nH).			



Approval	Supervisor	Designer	Aperture size
C.Y. Chang	C.S. Chang	C.S. Chang	5W3S(3.8*4.0)(4.28) 5HW046RB3.2
TEMWELL CORPORATION			

Performance-TTW3822B-1525M

0512076DC



CH1 MARKER LIST

1	1.525	000GHz	-32.129	dB
2	1.557	250GHz	-4.369	dB
3	1.498	750GHz	-6.794	dB
4	1.425	000GHz	-0.478	dB
5	1.625	000GHz	-0.497	dB
6				
7				
8				
9				
10				

CH2 MARKER LIST

1	1.525	000GHz	-2.969	dB
2	1.557	250GHz	-5.979	dB
3	1.498	750GHz	-5.978	dB
4	1.425	000GHz	-41.292	dB
5	1.625	000GHz	-25.658	dB
6				
7				
8				
9				
10				