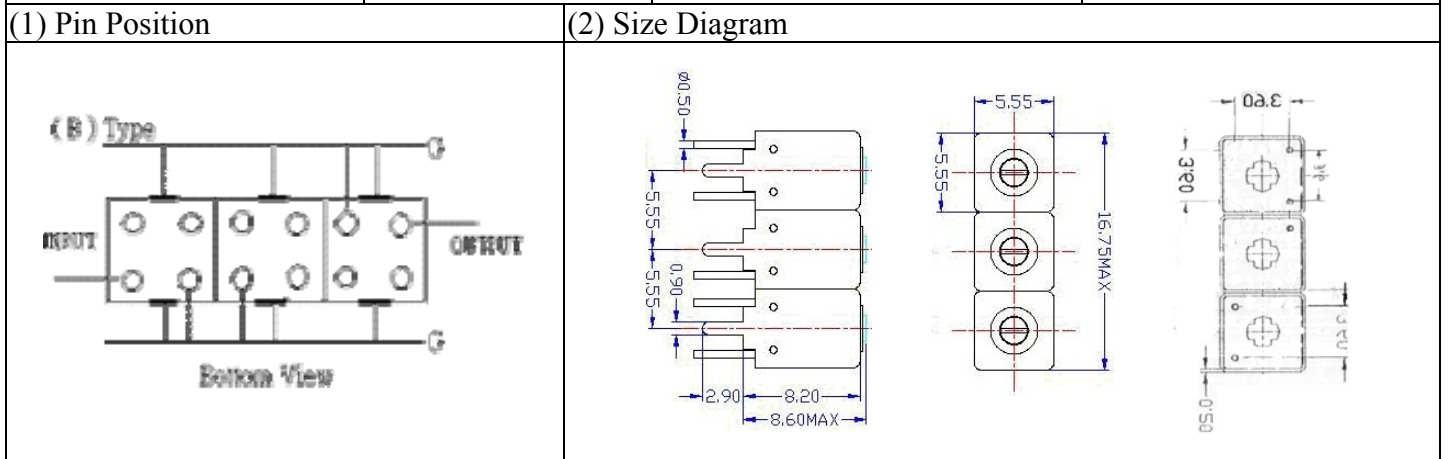


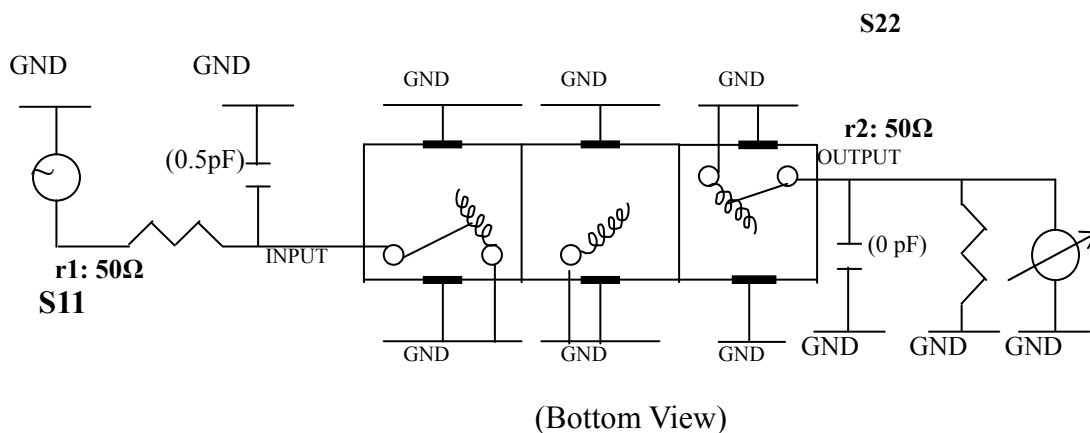
VHF UHF Helical Filter Specification Sheet

Customer Name		Temwell's Part No.	TTW3819B-1975M
Approval No. /dated	0512073APR	Acceptable Specify Fo Range	1951-2000 MHz
Work Instruction No.	0512073DC	Date	Jan.19.2006



Item		Specify		Performance	
Center Freq. (Fo) +/- 0.5 %		1975	MHz	1975	MHz
Tunable Range:		1975±5	MHz	1975±5	MHz
Insertion Loss		Typ. 3.0	dB	2.11	dB
-3 dB Bandwidth		Typ. 73	MHz	90.2	MHz
Sensitivity (Attenuation)	Fo - 150 MHz	Typ. 36	dBc	39	dBc
	Fo + 150 MHz	Typ. 20	dBc	23	dBc
	Fo - ()MHz	Typ.	dBc		dBc
	Fo + ()MHz	Typ.	dBc		dBc
Return Loss		Min. 12	dB	16.1	dB
Ripple		< 1	dB		dB
Impedance		In / Out : 50 Ω		In / Out : 50 Ω	
(4) Torque for Tuning Screw		> 60gf · cm			
(5) Temperature Condition:					
Operating Temperature		0°C ~ +60°C			
Storage Temperature		-20°C ~ +70°C			
(6) Input Power		> 0.5Watt			

(7) Measuring Circuit: ※Easy to match Impedance S11/S22 50Ω by parallel with about(0.5pF) / (0pF).



Approval	Supervisor	Designer	Aperture size
C.Y. Chang	C.S. Chang	C.S. Chang	5W3, 3.8*5.1 (5.12) 5HW046RB3.2

TEMWELL CORPORATION

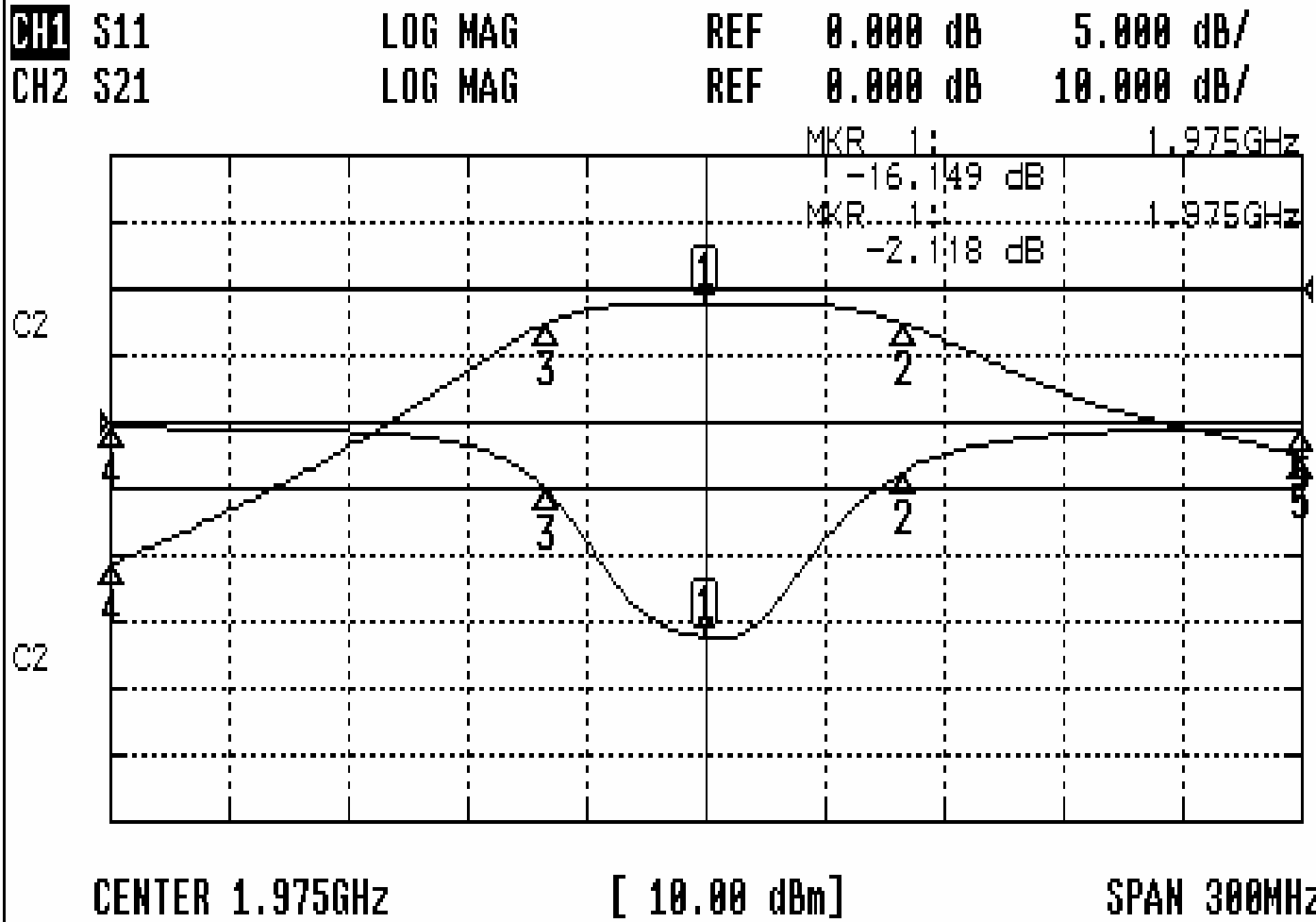
TEMWELL

Form10-5W3B Vision D

RP: C.S. Chang

Performance-TTW3819B-1975M

0512073DC



CH1 MARKER LIST

1	1.975	000GHz	-16.149	dB
2	2.024	750GHz	-3.699	dB
3	1.934	500GHz	-4.936	dB
4	1.825	000GHz	-0.420	dB
5	2.125	000GHz	-0.474	dB

CH2 MARKER LIST

1	1.975	000GHz	-2.118	dB
2	2.024	750GHz	-5.125	dB
3	1.934	500GHz	-5.172	dB
4	1.825	000GHz	-41.312	dB
5	2.125	000GHz	-25.009	dB