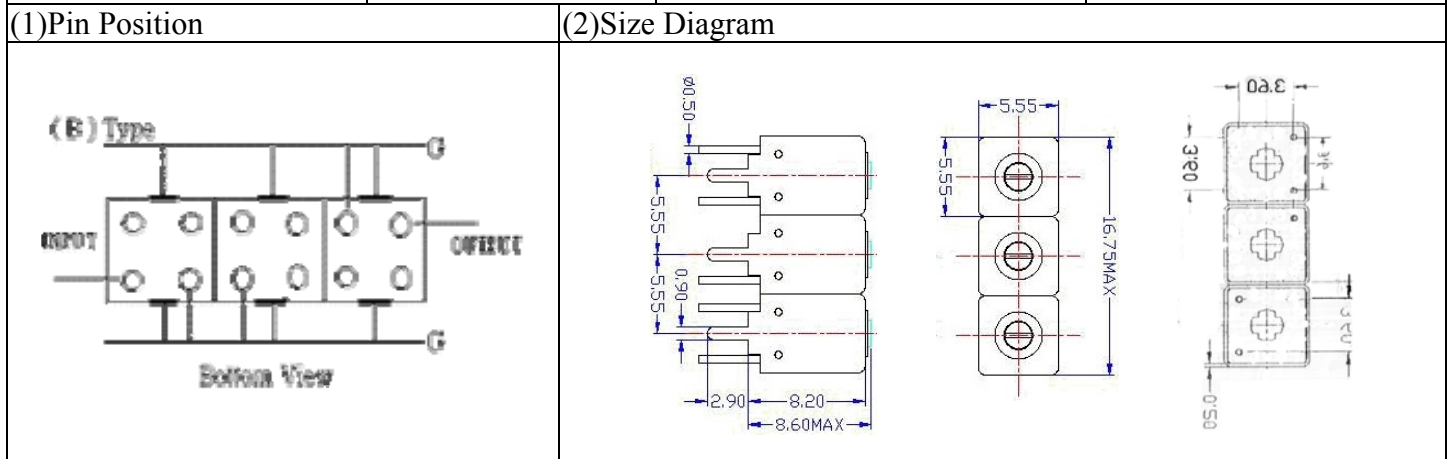


# VHF UHF Helical Filter Specification Sheet

Customer Name		Temwell's Part No.	TTW3818B-1875M
Approval No. /dated	0512072APR	Acceptable Specify Fo Range	1851-1900 MHz
Work Instruction No.	0512072DC	Date	Jan.26.2006



(3) Electric Character		Specify	Performance
Item			
Center Freq.(Fo ) +/- 0.5 %		1875 MHz	1875 MHz
Tunable Range:		1875±5 MHz	1875±5 MHz
Insertion Loss		Typ. 2.5 dB	1.49 dB
-3 dB Bandwidth		Typ. 65 MHz	93.8 MHz
Sensitivity (Attenuation)	Fo - 150 MHz	Typ. 38 dBc	41 dBc
	Fo + 150 MHz	Typ. 20 dBc	23 dBc
	Fo - ( )MHz	Typ. dBc	dBc
	Fo +( )MHz	Typ. dBc	dBc
Return Loss		Min. 12 dB	16.7 dB
Ripple		< 1 dB	dB
Impedance		In / Out : 50 Ω	In / Out : 50 Ω

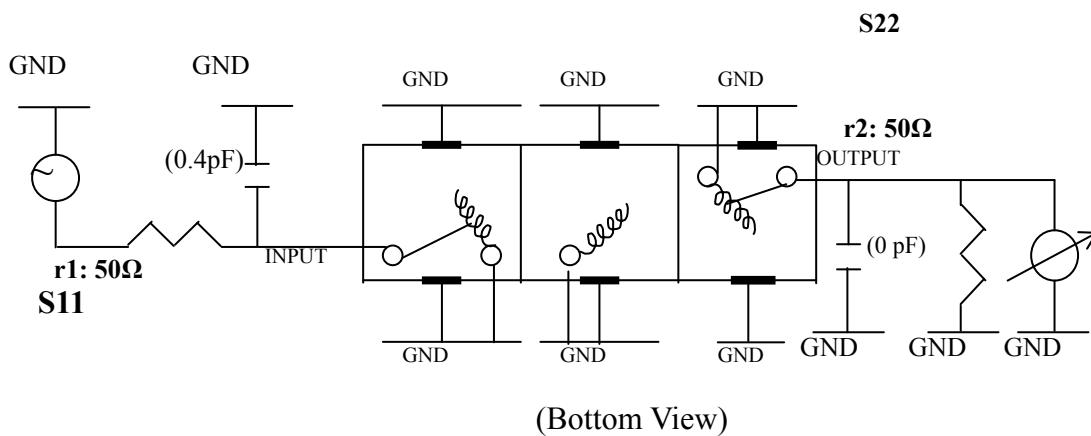
(4) Torque for Tuning Screw > 60gf · cm

(5) Temperature Condition:

Operating Temperature	0°C ~ +60°C
Storage Temperature	-20°C ~ +70°C

(6) Input Power > 0.5Watt

(7) Measuring Circuit: ※Easy to match Impedance S11/S22 50Ω by parallel with about(0.4pF) / (0pF).

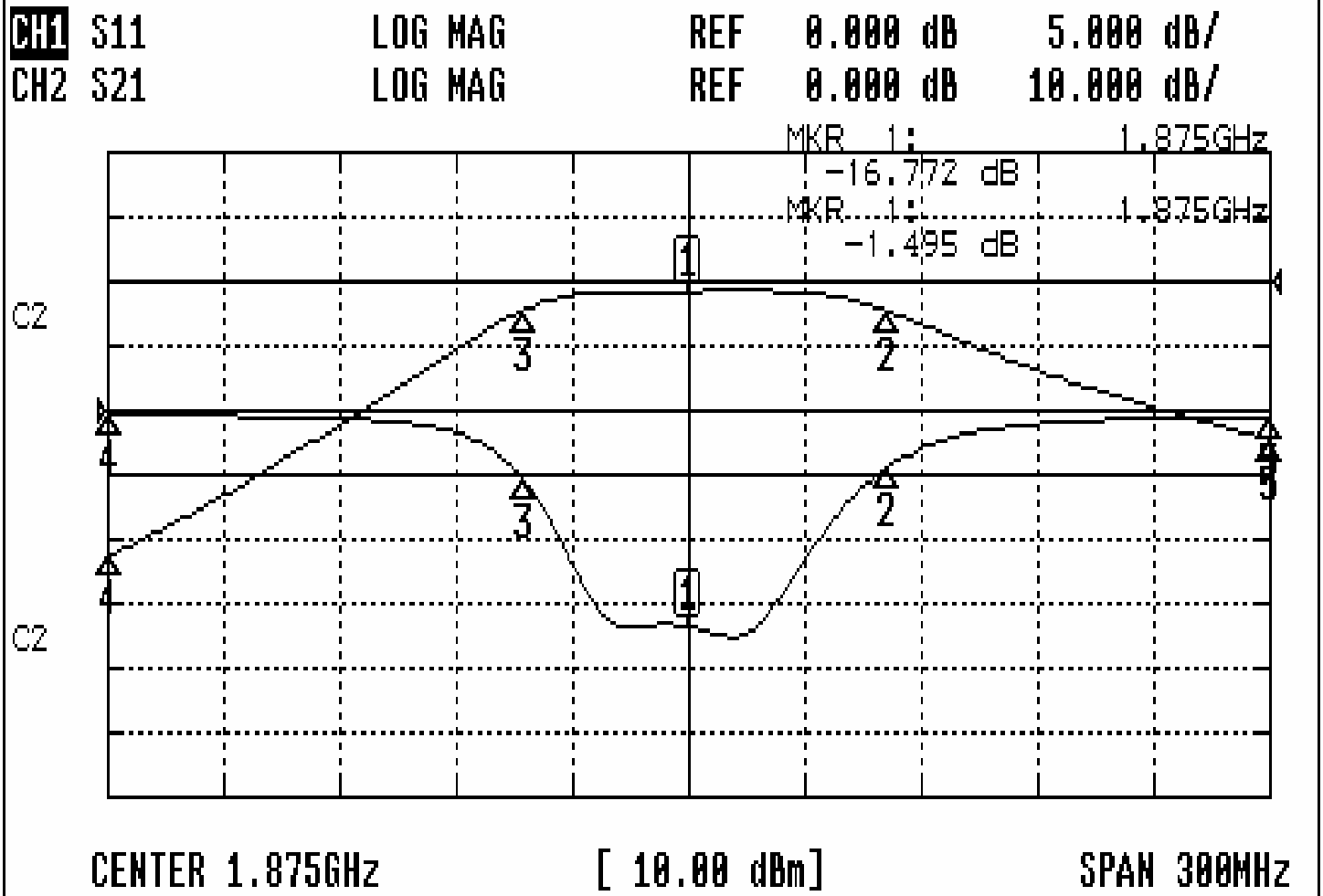


Approval	Supervisor	Designer	Aperture size
C.Y. Chang	C.S. Chang	C.S. Chang	5W3, 3.8*5.1 (5.12) 5HW046RB3.2

TEMWELL CORPORATION

# Performance-TTW3818B-1875M

## 0512072DC



### CH1 MARKER LIST

1:	1.875	000GHz	-16.772	dB
2:	1.926	000GHz	-4.494	dB
3:	1.832	250GHz	-5.253	dB
4:	1.725	000GHz	-0.349	dB
5:	2.025	000GHz	-0.472	dB

### CH2 MARKER LIST

1:	1.875	000GHz	-1.495	dB
2:	1.926	000GHz	-4.466	dB
3:	1.832	250GHz	-4.458	dB
4:	1.725	000GHz	-42.664	dB
5:	2.025	000GHz	-24.558	dB