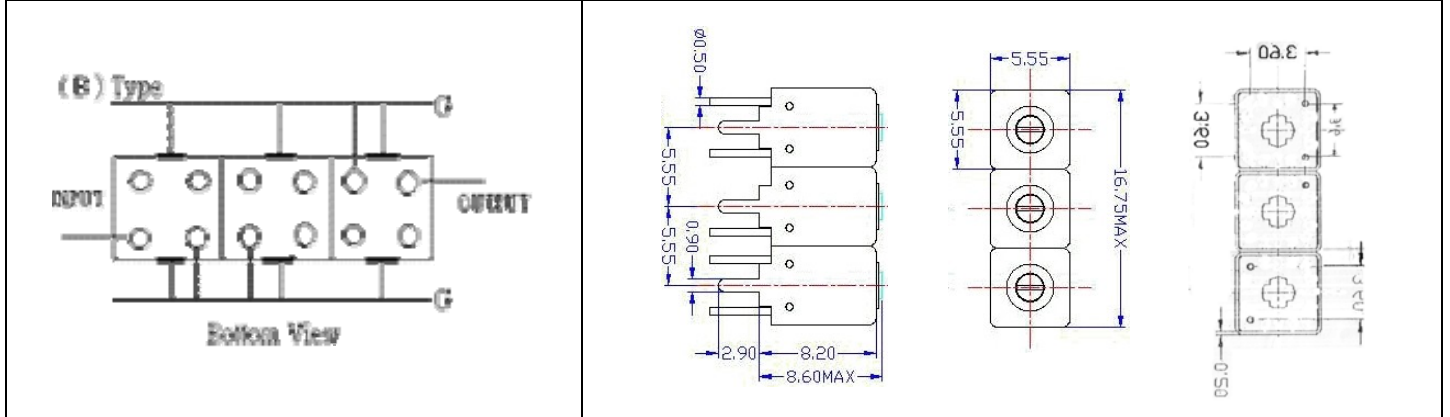


VHF UHF Helical Filter Specification Sheet

Customer Name		Temwell's Part No.	TTW3816B-1675M
Approval No. /dated	0512070APR	Acceptable Specify Fo Range	1651-1700 MHz
Work Instruction No.	0512070DC	Date	Jan.23.2006

(1) Pin Position (2) Size Diagram



(3) Electric Character

Item	Specify	Performance
Center Freq. (Fo) +/- 0.5 %	1675 MHz	1675 MHz
Tunable Range:	1675±5 MHz	1675±5 MHz
Insertion Loss	Typ. 3.0 dB	2.07 Db
-3 dB Bandwidth	Typ. 70 MHz	82.8 MHz
Sensitivity (Attenuation)	Fo - 150 MHz	Typ. 41 dBc
	Fo + 150 MHz	Typ. 20 dBc
	Fo - ()MHz	Typ. dBc
	Fo +()MHz	Typ. dBc
Return Loss	Min. 12 dB	21.3 dB
Ripple	< 1 dB	dB
Impedance	In / Out : 50 Ω	In / Out : 50 Ω

(4) Torque for Tuning Screw > 60gf · cm

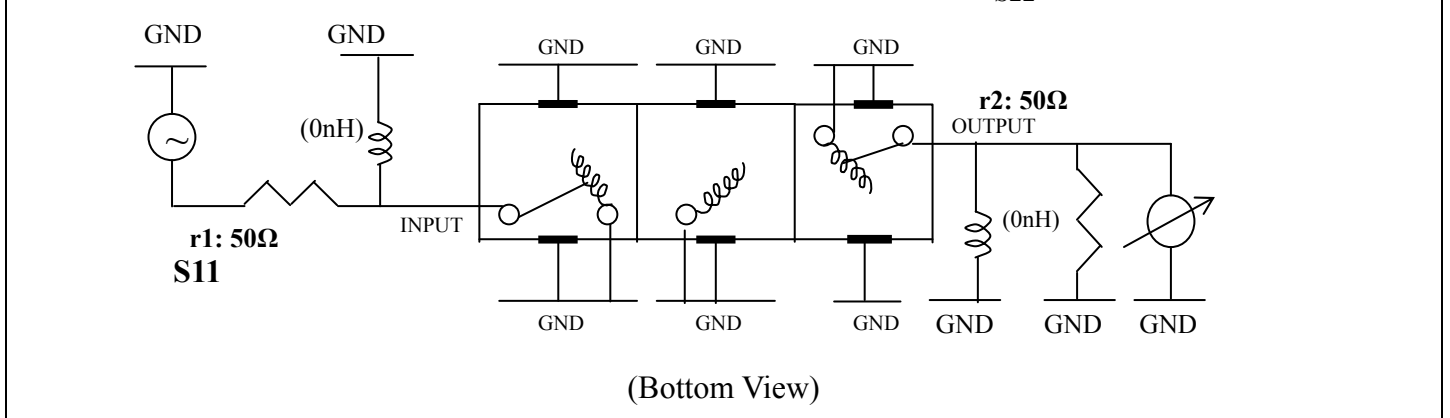
(5) Temperature Condition:

Operating Temperature 0°C ~ +60°C

Storage Temperature -20°C ~ +70°C

(6) Input Power > 0.5Watt

(7) Measuring Circuit: ※Easy to match Impedance S11/S22 50Ω by parallel with about(0nH) / (0nH).

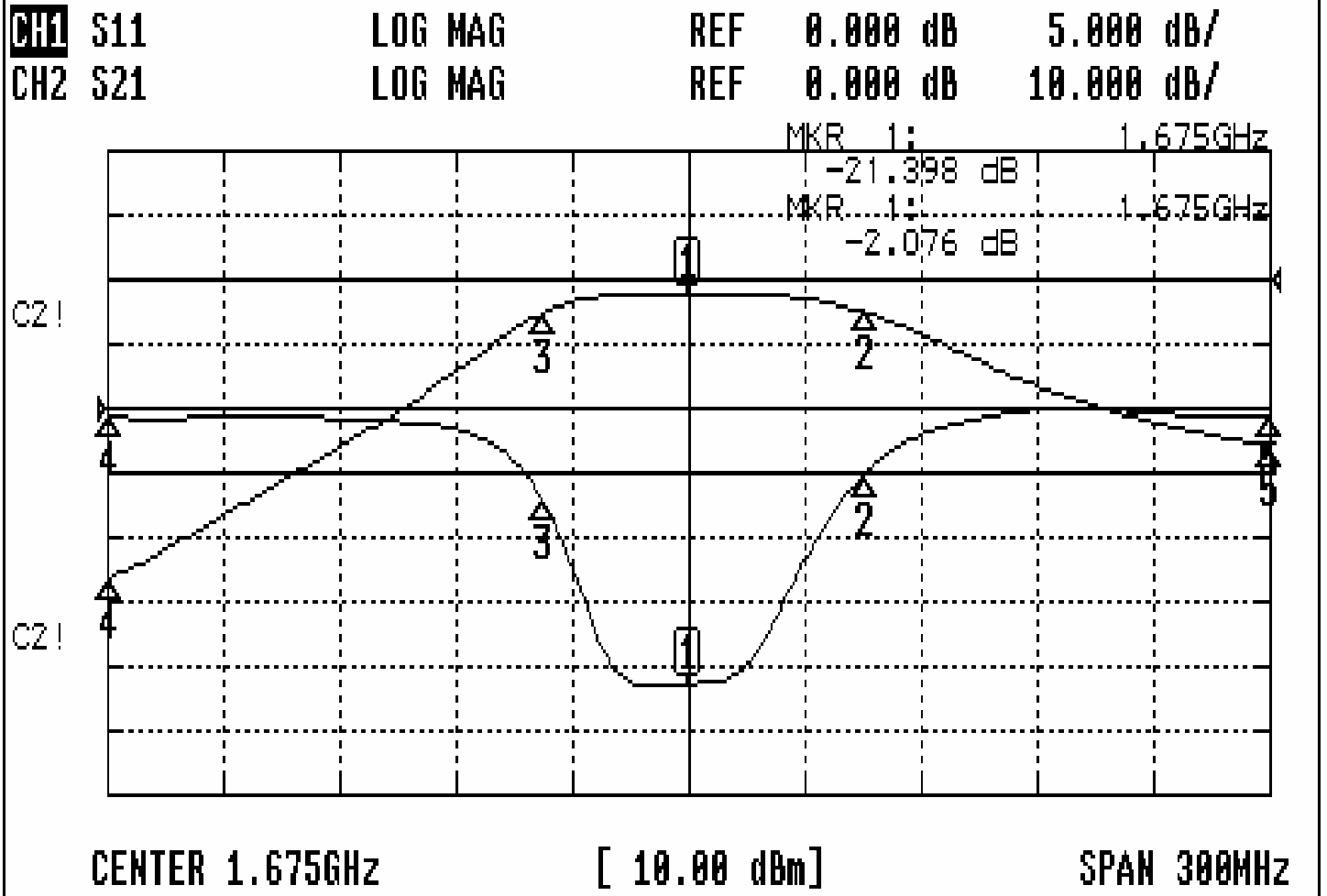


Approval	Supervisor	Designer	Aperture size
C.Y. Chang	C.S. Chang	C.S. Chang	5W3S(3.8*5.1)(5.14) 5HW046RB3.2

TEMWELL CORPORATION

Performance-TTW3816B-1675M

0512070DC



CH1 MARKER LIST

1:	1.675	000GHz	-21.398	dB
2:	1.720	500GHz	-5.105	dB
3:	1.637	750GHz	-7.242	dB
4:	1.525	000GHz	-0.702	dB
5:	1.825	000GHz	-0.486	dB
6:				
7:				
8:				
9:				
10:				

CH2 MARKER LIST

1:	1.675	000GHz	-2.076	dB
2:	1.720	500GHz	-5.050	dB
3:	1.637	750GHz	-5.074	dB
4:	1.525	000GHz	-46.616	dB
5:	1.825	000GHz	-25.775	dB
6:				
7:				
8:				
9:				
10:				