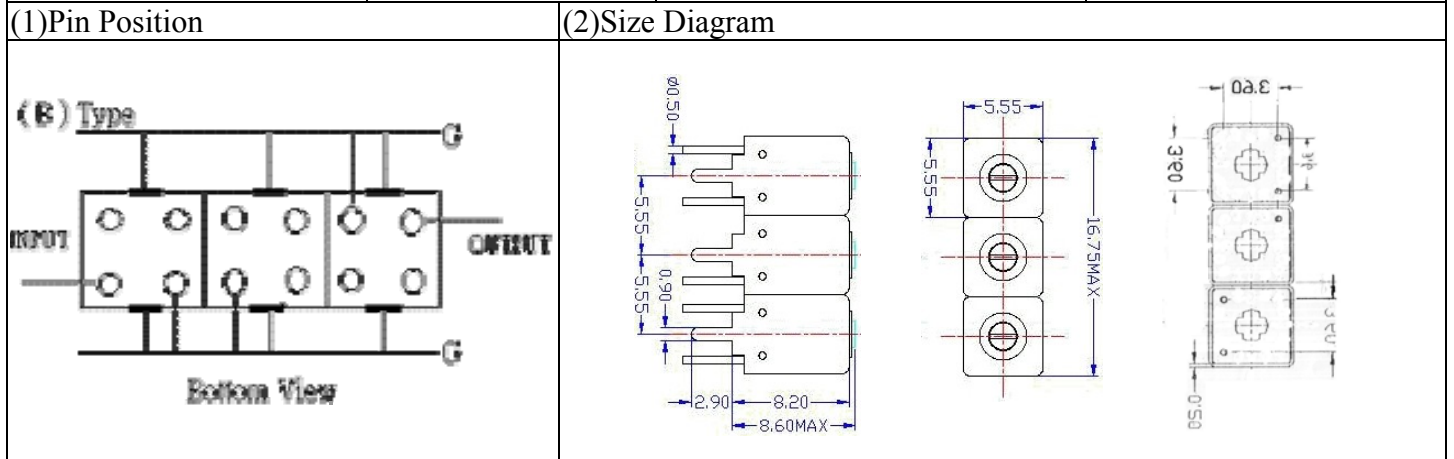


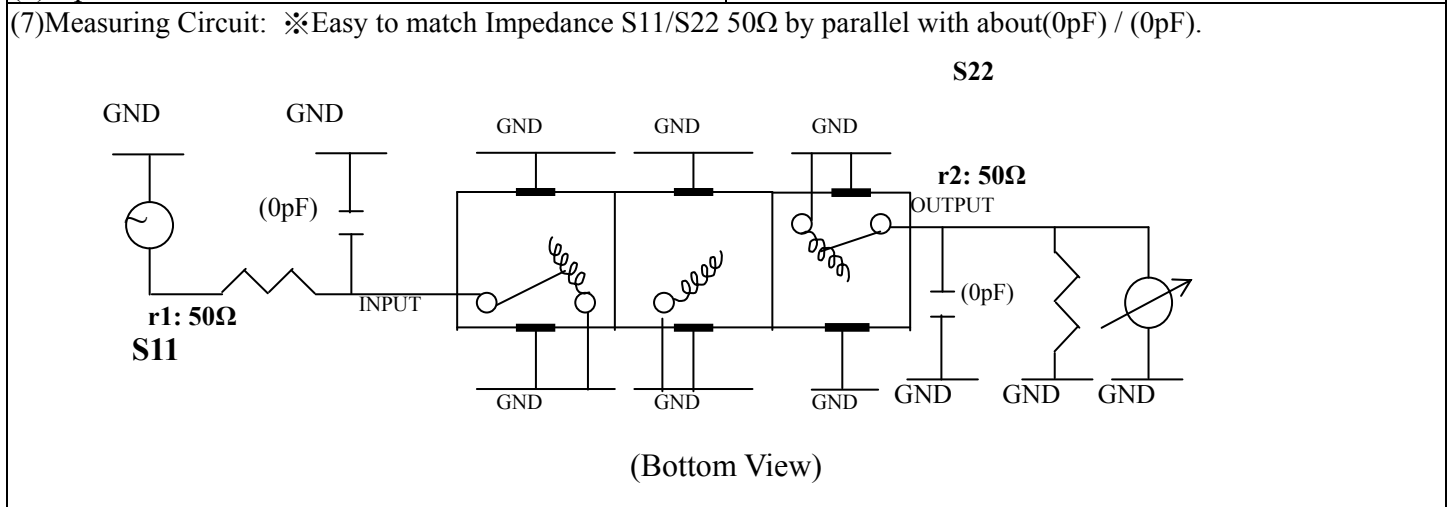
VHF UHF Helical Filter Specification Sheet

Customer Name		Temwell's Part No.	TTW3815B-1625M
Approval No. /dated	0512069APR	Acceptable Specify Fo Range	1601-1650 MHz
Work Instruction No.	0512069DC	Date	Jan.25.2006



(3) Electric Character					
Item		Specify		Performance	
Center Freq.(Fo) +/- 0.5 %		1625 MHz		1625 MHz	
Tunable Range:		1625±10 MHz		1625±10 MHz	
Insertion Loss		Typ. 3.0 dB		1.77 dB	
-3 dB Bandwidth		Typ. 70 MHz		80.0 MHz	
Sensitivity (Attenuation)	Fo - 150 MHz	Typ. 41 dBc		44 dBc	
	Fo + 150 MHz	Typ. 26 dBc		29 dBc	
	Fo - ()MHz	Typ. dBc		dBc	
	Fo +()MHz	Typ. dBc		dBc	
Return Loss		Min. 12 dB		22.3 dB	
Ripple		< 1 dB		dB	
Impedance		In / Out : 50 Ω		In / Out : 50 Ω	
(4) Torque for Tuning Screw		> 60gf • cm			

(5) Temperature Condition:	
Operating Temperature	0°C ~ +60°C
Storage Temperature	-20°C ~ +70°C
(6) Input Power	> 0.5Watt

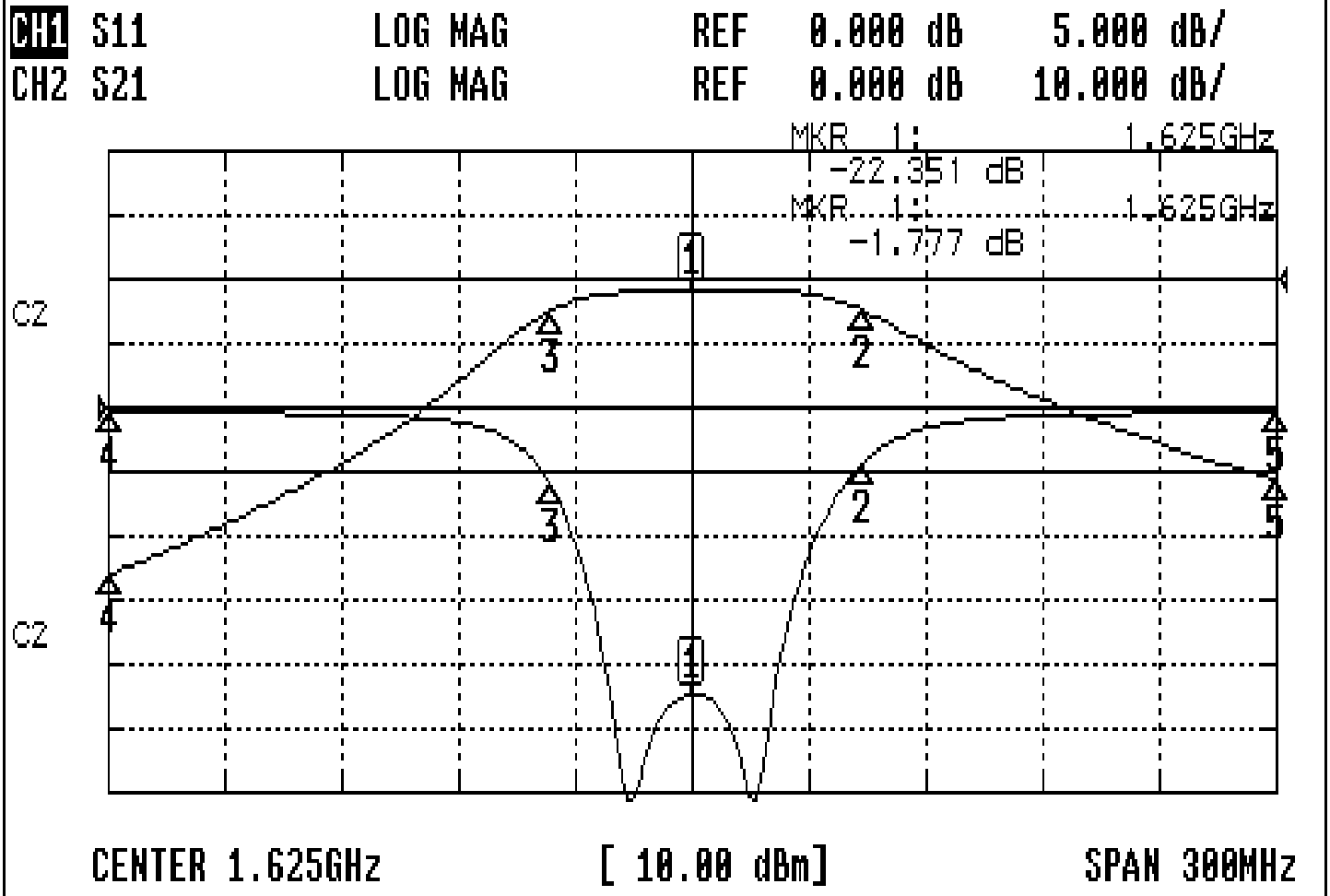


Approval	Supervisor	Designer	Aperture size
C.Y. Chang	C.S. Chang	C.S. Chang	5W3, 3.8*4.5 (4.62)

TEMWELL CORPORATION

Performance-TTW3815B-1625M

0512069DC



CH1 MARKER LIST

1	1.625	000GHz	-22.351	dB
2	1.66875	750GHz	-4.341	dB
3	1.58875	750GHz	-6.001	dB
4	1.475	000GHz	-0.353	dB
5	1.775	000GHz	-0.358	dB

CH2 MARKER LIST

1	1.625	000GHz	-1.775	dB
2	1.66875	750GHz	-4.770	dB
3	1.58875	750GHz	-4.774	dB
4	1.475	000GHz	-46.122	dB
5	1.775	000GHz	-31.120	dB