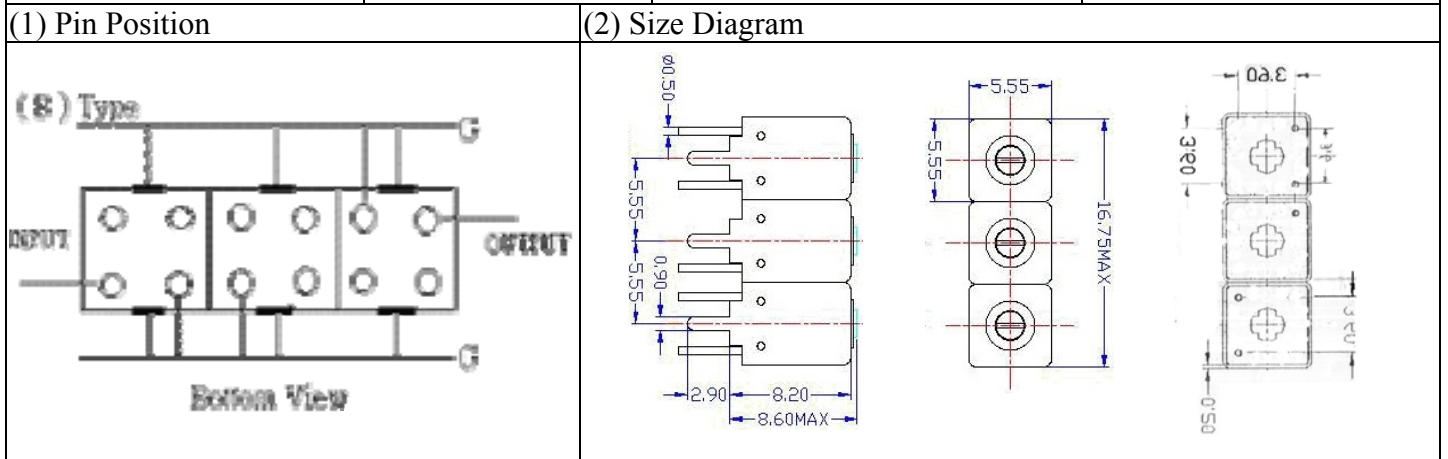


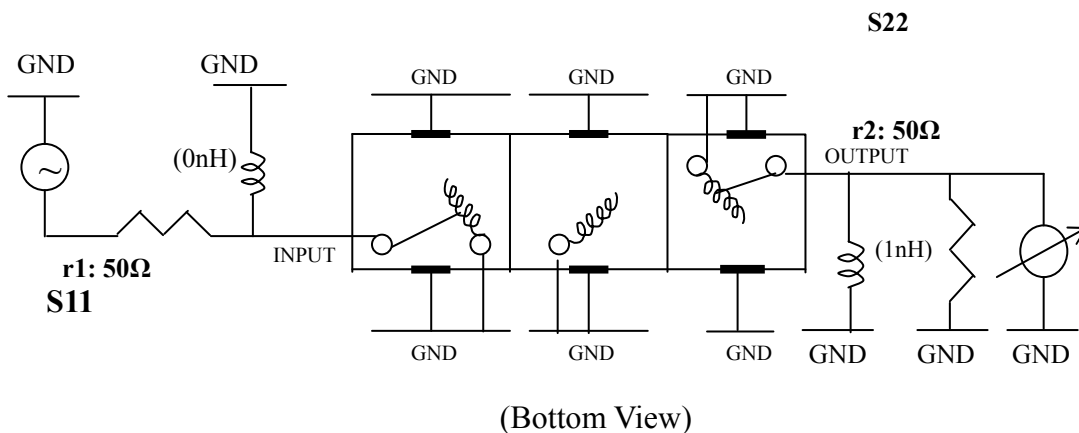
VHF UHF Helical Filter Specification Sheet

Customer Name		Temwell's Part No.	TTW3814B-1575M
Approval No. /dated	0512068APR	Acceptable Specify Fo Range	1551-1600 MHz
Work Instruction No.	0512068DC	Date	Jan.20.2006



(3) Electric Character		Item	Specify	Performance
		Center Freq. (Fo) +/- 0.5 %	1575 MHz	1575 MHz
		Tunable Range:	1575±5 MHz	1575±5 MHz
		Insertion Loss	Typ. 3.0 dB	1.87 dB
		-3 dB Bandwidth	Typ. 65 MHz	79.0 MHz
Sensitivity (Attenuation)	Fo - 150 MHz	Typ. 40 dBc		43 dBc
	Fo + 150 MHz	Typ. 25 dBc		28 dBc
	Fo - ()MHz	Typ. dBc		dBc
	Fo + ()MHz	Typ. dBc		dBc
		Return Loss	Min. 12 dB	24.1 dB
		Ripple	< 1 dB	dB
		Impedance	In / Out : 50 Ω	In / Out : 50 Ω
(4) Torque for Tuning Screw			> 60gf · cm	
(5) Temperature Condition:				
Operating Temperature			0°C ~ +60°C	
Storage Temperature			-20°C ~ +70°C	
(6) Input Power			> 0.5Watt	

(7) Measuring Circuit: ※Easy to match Impedance S11/S22 50Ω by parallel with about(0nH) / (1nH).

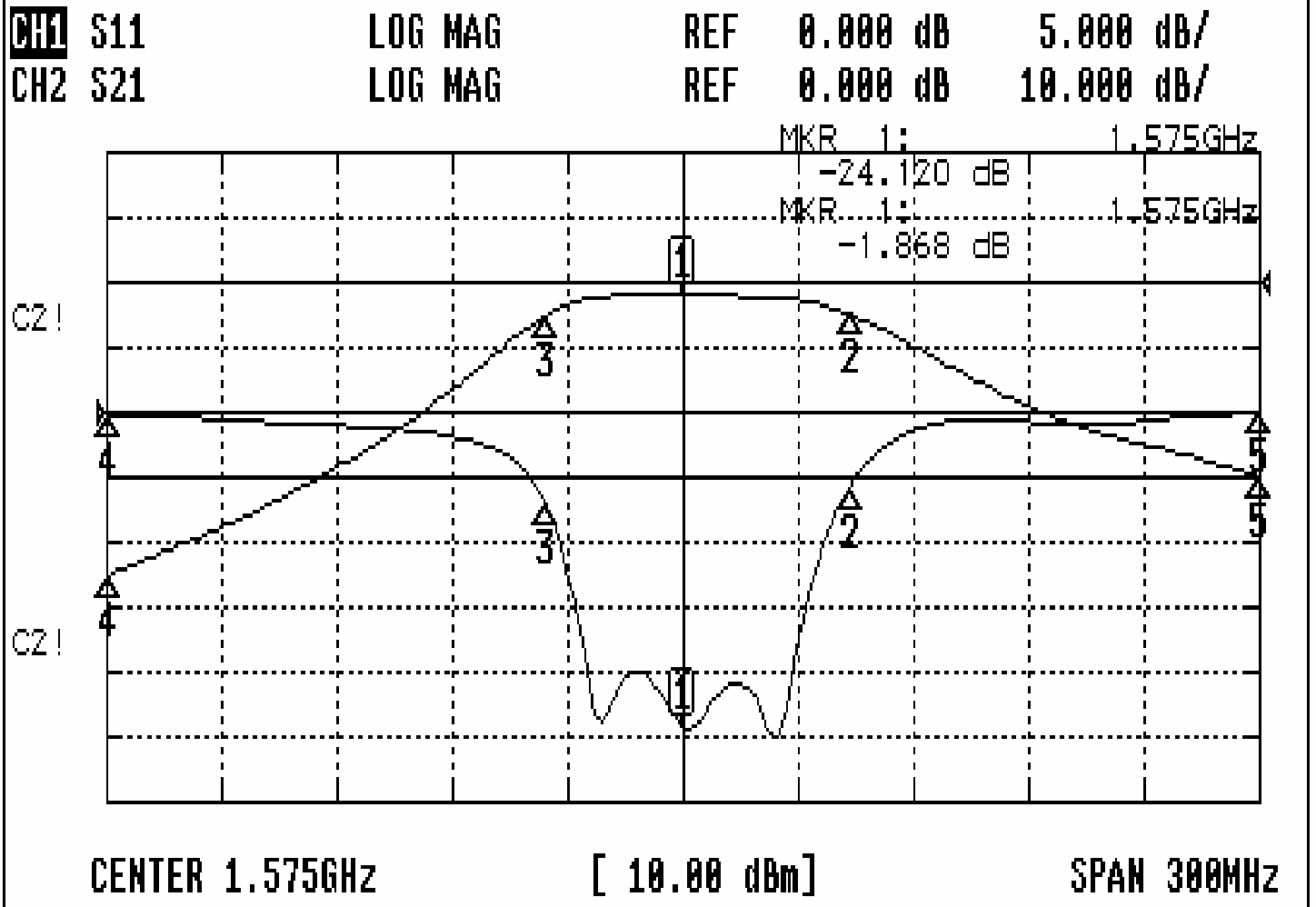


Approval	Supervisor	Designer	Aperture size
C.Y. Chang	C.S. Chang	C.S. Chang	5W3S(3.8*4.5)(4.61) 5HW046RB3.2

TEMWELL CORPORATION

Performance-TTW3814B-1575M

0512068DC



CH1 MARKER LIST

1	1.575	000GHz	-24.120	dB
2	1.618	500GHz	-5.786	dB
3	1.539	500GHz	-7.103	dB
4	1.425	000GHz	-0.287	dB
5	1.725	000GHz	-0.088	dB
6				
7				
8				
9				
10				

CH2 MARKER LIST

1	1.575	000GHz	-1.871	dB
2	1.618	500GHz	-4.834	dB
3	1.539	500GHz	-4.079	dB
4	1.425	000GHz	-44.844	dB
5	1.725	000GHz	-29.873	dB
6				
7				
8				
9				
10				