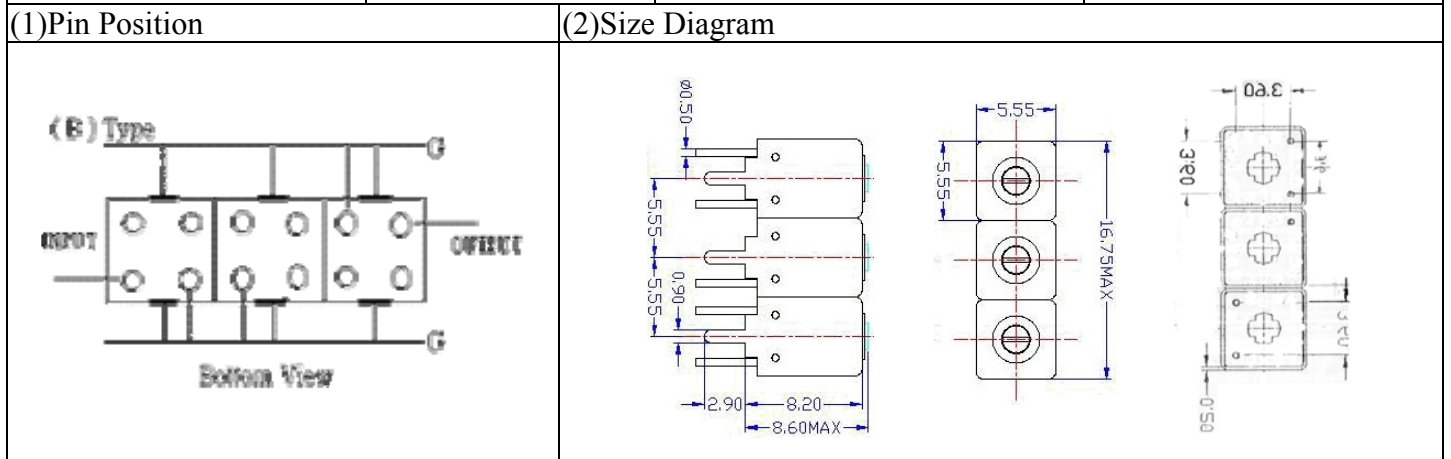


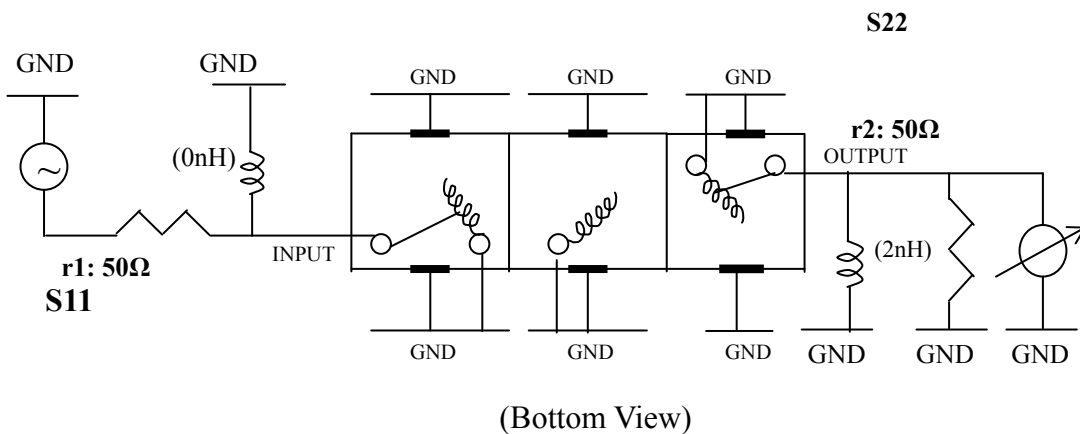
VHF UHF Helical Filter Specification Sheet

Customer Name		Temwell's Part No.	TTW3812B-1475M
Approval No. /dated	0512066APR	Acceptable Specify Fo Range	1451-1500 MHz
Work Instruction No.	0512066DC	Date	Jan.26.2006



(3) Electric Character		Specify	Performance
Item			
Center Freq.(Fo) +/- 0.5 %		1475 MHz	1475 MHz
Tunable Range:		1475±5 MHz	1475±5 MHz
Insertion Loss		Typ. 3.0 dB	1.78 dB
-3 dB Bandwidth		Typ. 70 MHz	81.0 MHz
Sensitivity (Attenuation)	Fo - 150 MHz	Typ. 37 dBc	40 dBc
	Fo + 150 MHz	Typ. 25 dBc	28 dBc
	Fo - ()MHz	Typ. dBc	dBc
	Fo +()MHz	Typ. dBc	dBc
Return Loss		Min. 12 dB	21.3 dB
Ripple		< 1 dB	dB
Impedance		In / Out : 50 Ω	In / Out : 50 Ω
(4) Torque for Tuning Screw		> 60gf · cm	
(5) Temperature Condition:			
Operating Temperature		0°C ~ +60°C	
Storage Temperature		-20°C ~ +70°C	
(6) Input Power		> 0.5Watt	

(7) Measuring Circuit: ※ Easy to match Impedance S11/S22 50Ω by parallel with about(0nH) / (2nH).

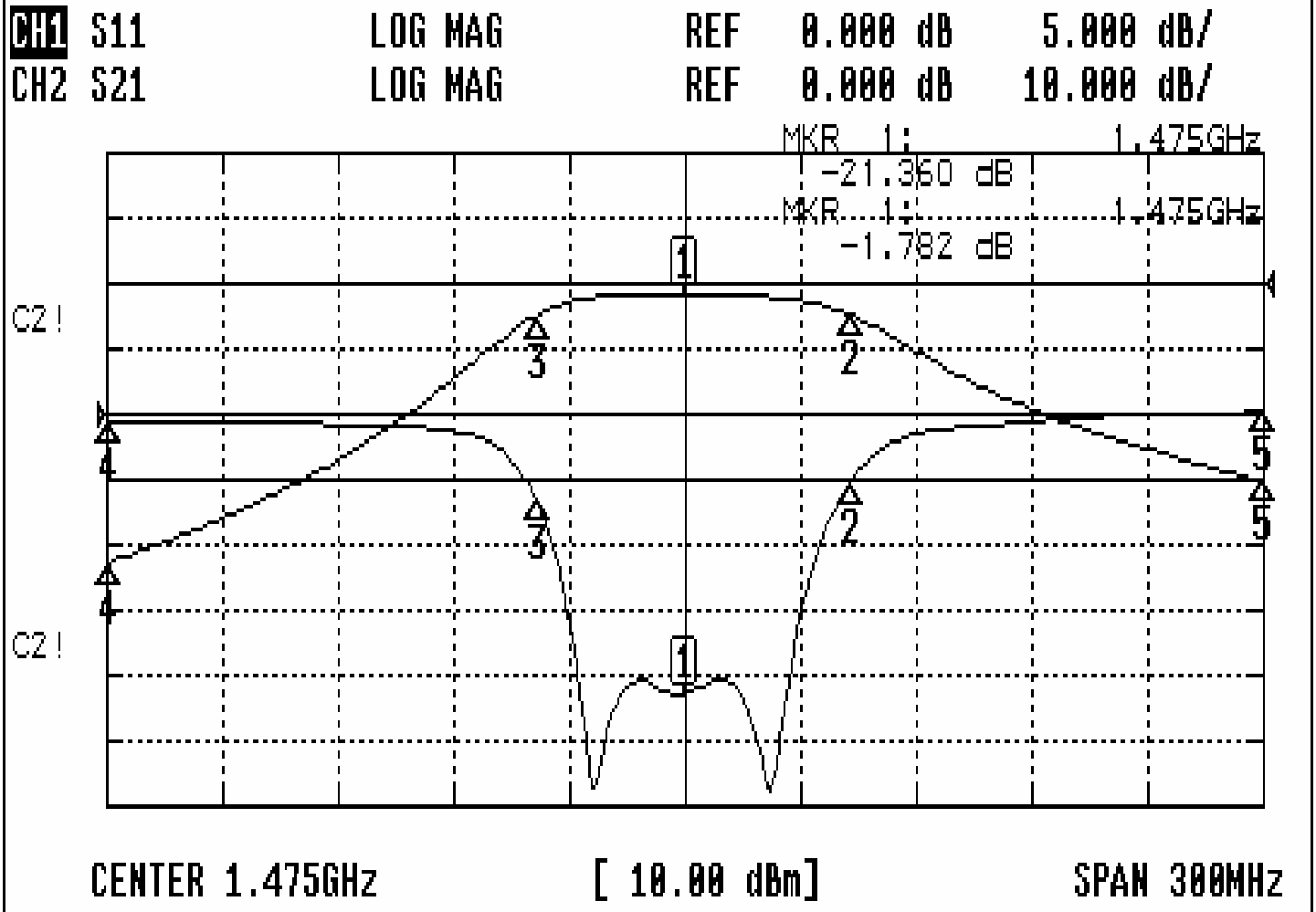


Approval	Supervisor	Designer	Aperture size
C.Y. Chang	C.S. Chang	C.S. Chang	5W3S(3.8*4.5)(4.61) 5HW046RB3.2

TEMWELL CORPORATION

Performance-TTW3812B-1475M

0512066DC



CH1 MARKER LIST

1:	1.475	000GHz	-21.360	dB
2:	1.517	750GHz	-5.315	dB
3:	1.436	750GHz	-6.650	dB
4:	1.325	000GHz	-0.465	dB
5:	1.625	000GHz	0.182	dB

CH2 MARKER LIST

1:	1.475	000GHz	-1.782	dB
2:	1.517	750GHz	-4.784	dB
3:	1.436	750GHz	-4.789	dB
4:	1.325	000GHz	-42.642	dB
5:	1.625	000GHz	-30.292	dB