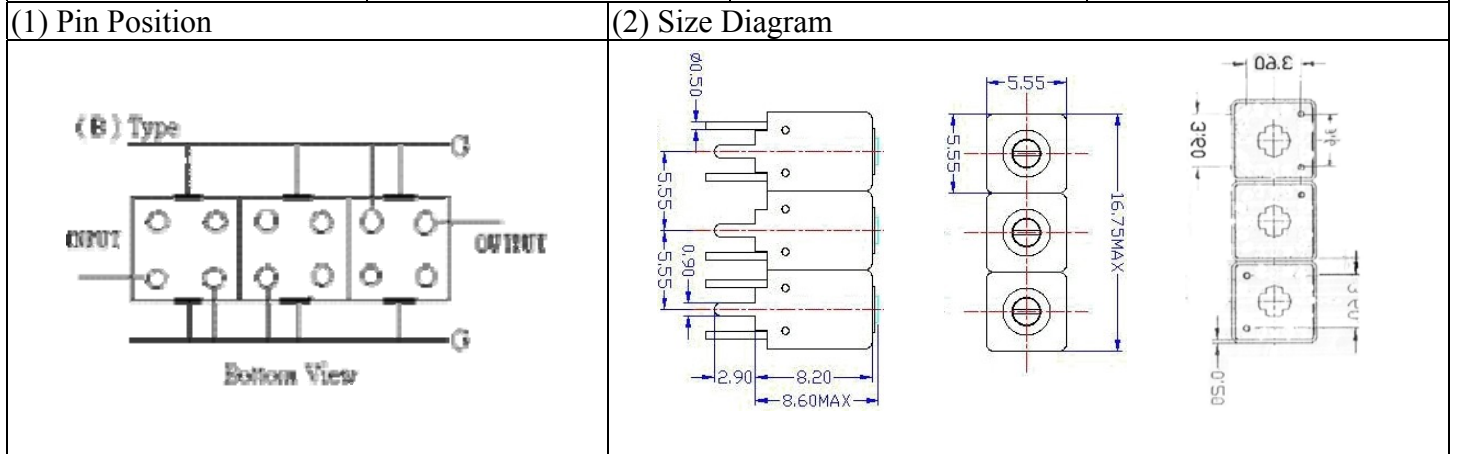


# VHF UHF Helical Filter Specification Sheet

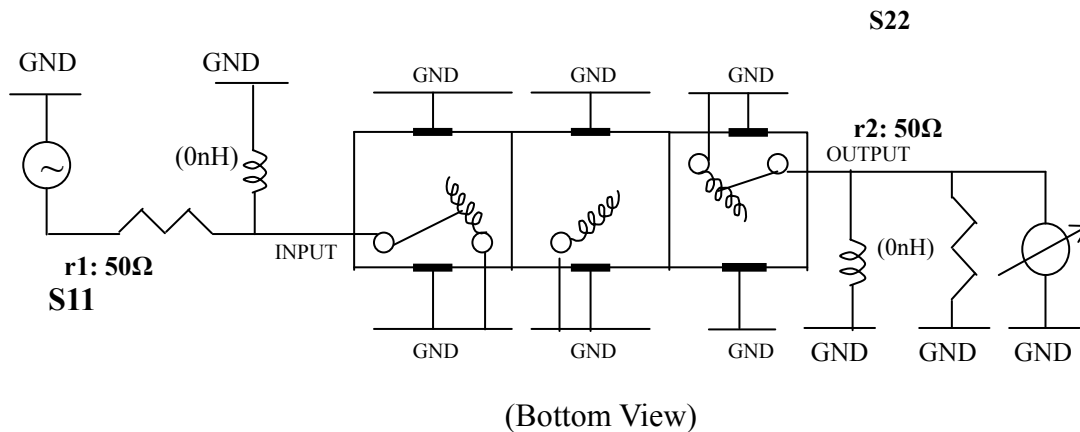
Customer Name		Temwell's Part No.	TTW3809B-1325M
Approval No. /dated	0512063APR	Acceptable Specify Fo Range	1301-1350 MHz
Work Instruction No.	0512063DC	Date	Jan.24.2006



(3) Electric Character		Item	Specify	Performance
Center Freq. (Fo) +/- 0.5 %			1325 MHz	1325 MHz
Tunable Range:			1325±5 MHz	1325±5 MHz
Insertion Loss		Typ.	2.5 dB	1.34 dB
-3 dB Bandwidth		Typ.	70 MHz	82.0 MHz
Sensitivity (Attenuation)	Fo - 150 MHz	Typ.	32 dBc	35 dBc
	Fo + 150 MHz	Typ.	20 dBc	23 dBc
	Fo - ( )MHz	Typ.	dBc	dBc
	Fo +( )MHz	Typ.	dBc	dBc
Return Loss		Min.	12 dB	22.6 dB
Ripple			< 1 dB	dB
Impedance			In / Out : 50 Ω	In / Out : 50 Ω

(4) Torque for Tuning Screw	> 60gf · cm
(5) Temperature Condition:	
Operating Temperature	0°C ~ +60°C
Storage Temperature	-20°C ~ +70°C
(6) Input Power	> 0.5Watt

(7) Measuring Circuit: ※Easy to match Impedance S11/S22 50Ω by parallel with about(0nH) / (0nH).

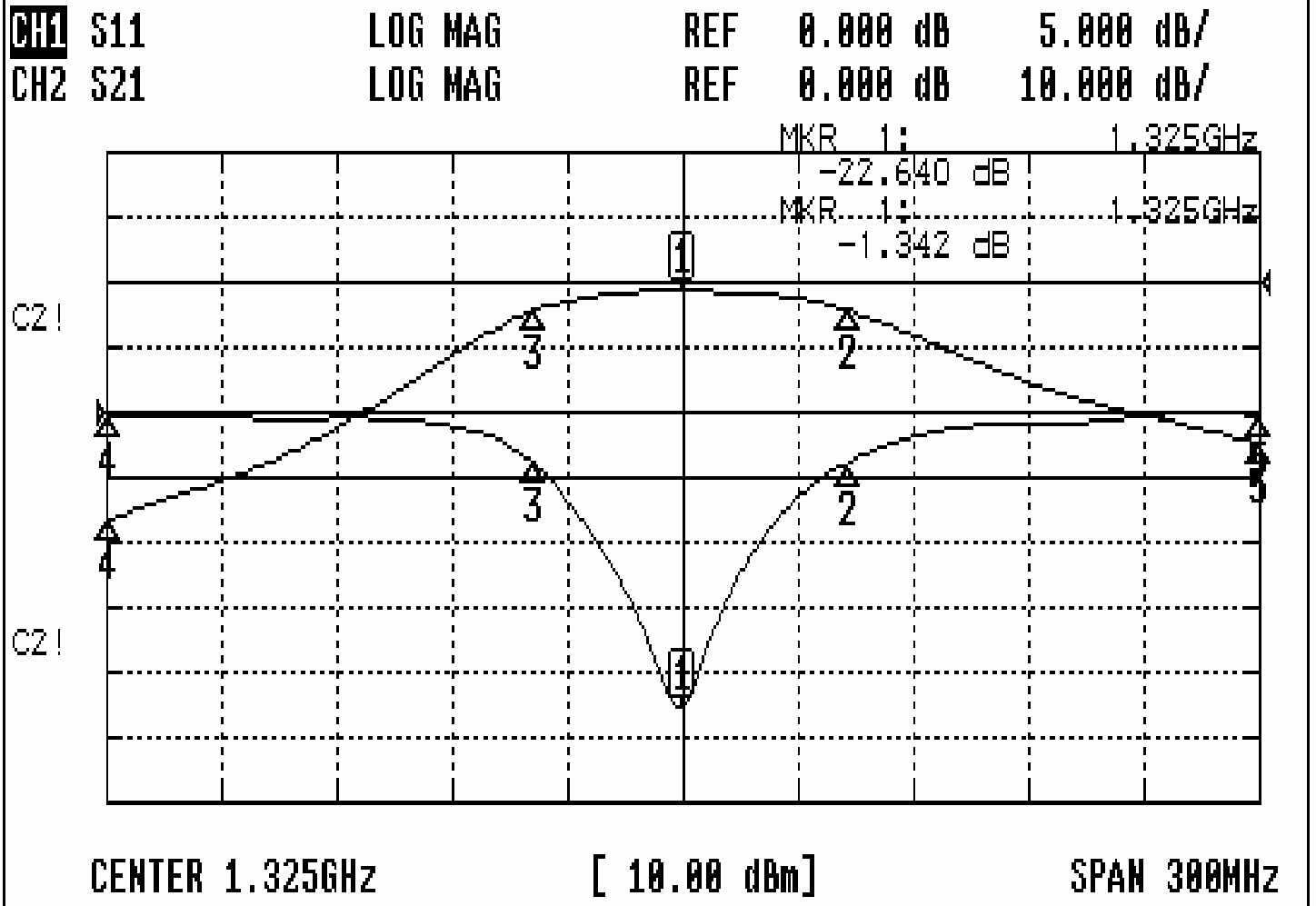


Approval	Supervisor	Designer	Aperture size
C.Y. Chang	C.S. Chang	C.S. Chang	5W3S(3.8*4.5)(4.61) 5HW046RB3.2

TEMWELL CORPORATION

# Performance-TTW3809B-1325M

## 0512063DC



### CH1 MARKER LIST

1:	1.325	000GHz	-22.666	dB	
2:	1.368	250GHz	-3.805	dB	
3:	1.286	250GHz	-3.882	dB	
4:	1.175	000GHz	-0.331	dB	
5:	1.475	000GHz	-0.254	dB	

### CH2 MARKER LIST

1:	1.325	000GHz	-1.342	dB	
2:	1.368	250GHz	-4.359	dB	
3:	1.286	250GHz	-4.355	dB	
4:	1.175	000GHz	-36.377	dB	
5:	1.475	000GHz	-24.891	dB	