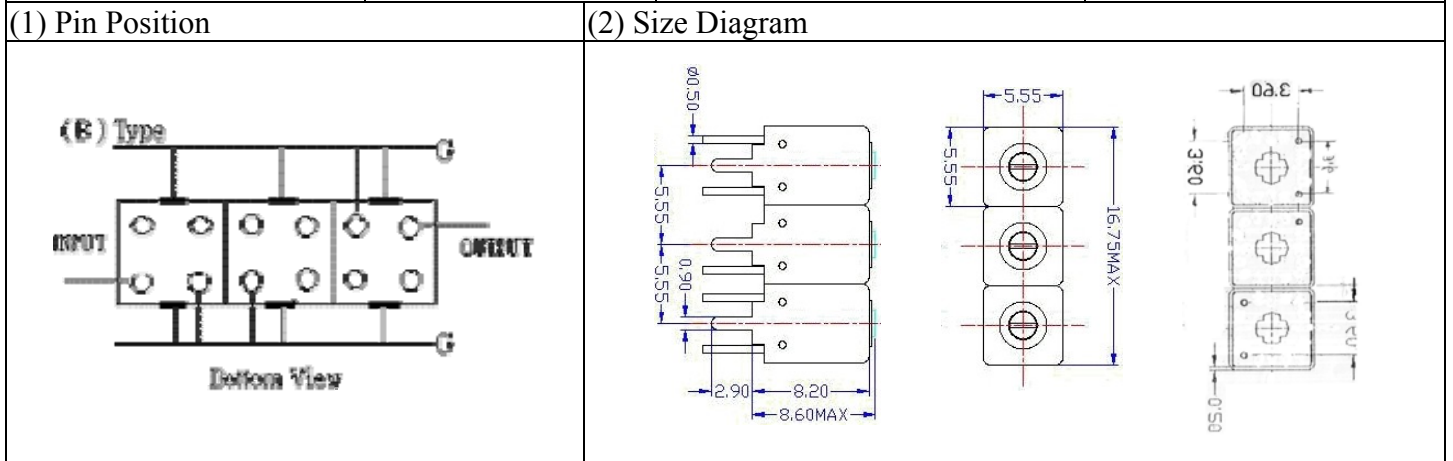


VHF UHF Helical Filter Specification Sheet

Customer Name		Temwell's Part No.	TTW3808B-1275M
Approval No. /dated	0512062APR	Acceptable Specify Fo Range	1251-1300 MHz
Work Instruction No.	0512062DC	Date	Jan.23.2006



(3) Electric Character

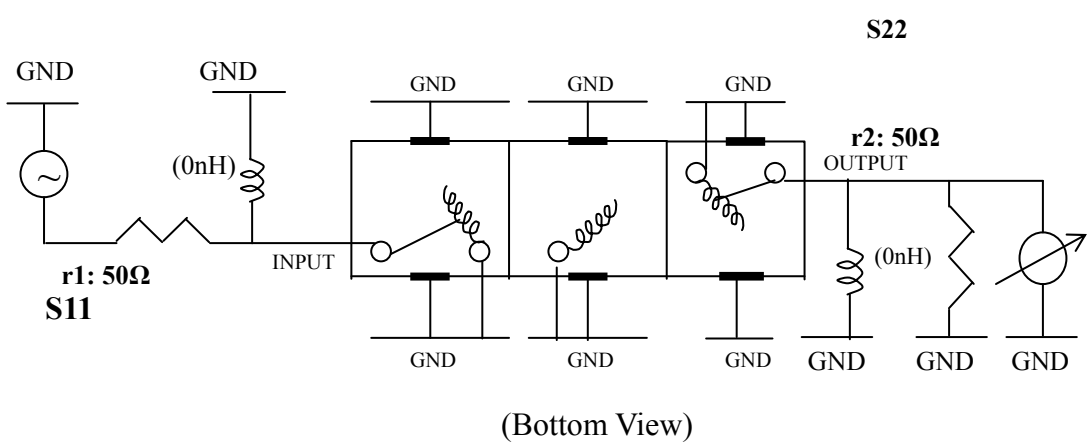
Item	Specify	Performance
Center Freq. (Fo) +/- 0.5 %	1275 MHz	1275 MHz
Tunable Range:	1275±5 MHz	1275±5 MHz
Insertion Loss	Typ. 2.5 dB	1.55 dB
-3 dB Bandwidth	Typ. 75 MHz	86.5 MHz
Sensitivity (Attenuation)	Fo - 150 MHz	Typ. 30 dBc
	Fo + 150 MHz	Typ. 18 dBc
	Fo - ()MHz	Typ. dBc
	Fo + ()MHz	Typ. dBc
Return Loss	Min. 12 dB	22.6 dB
Ripple	< 1 dB	dB
Impedance	In / Out : 50 Ω	In / Out : 50 Ω
(4) Torque for Tuning Screw	> 60gf · cm	

(5) Temperature Condition:

Operating Temperature	0°C ~ +60°C
Storage Temperature	-20°C ~ +70°C

(6) Input Power > 0.5Watt

(7) Measuring Circuit: ※Easy to match Impedance S11/S22 50Ω by parallel with about(0nH) / (0nH).

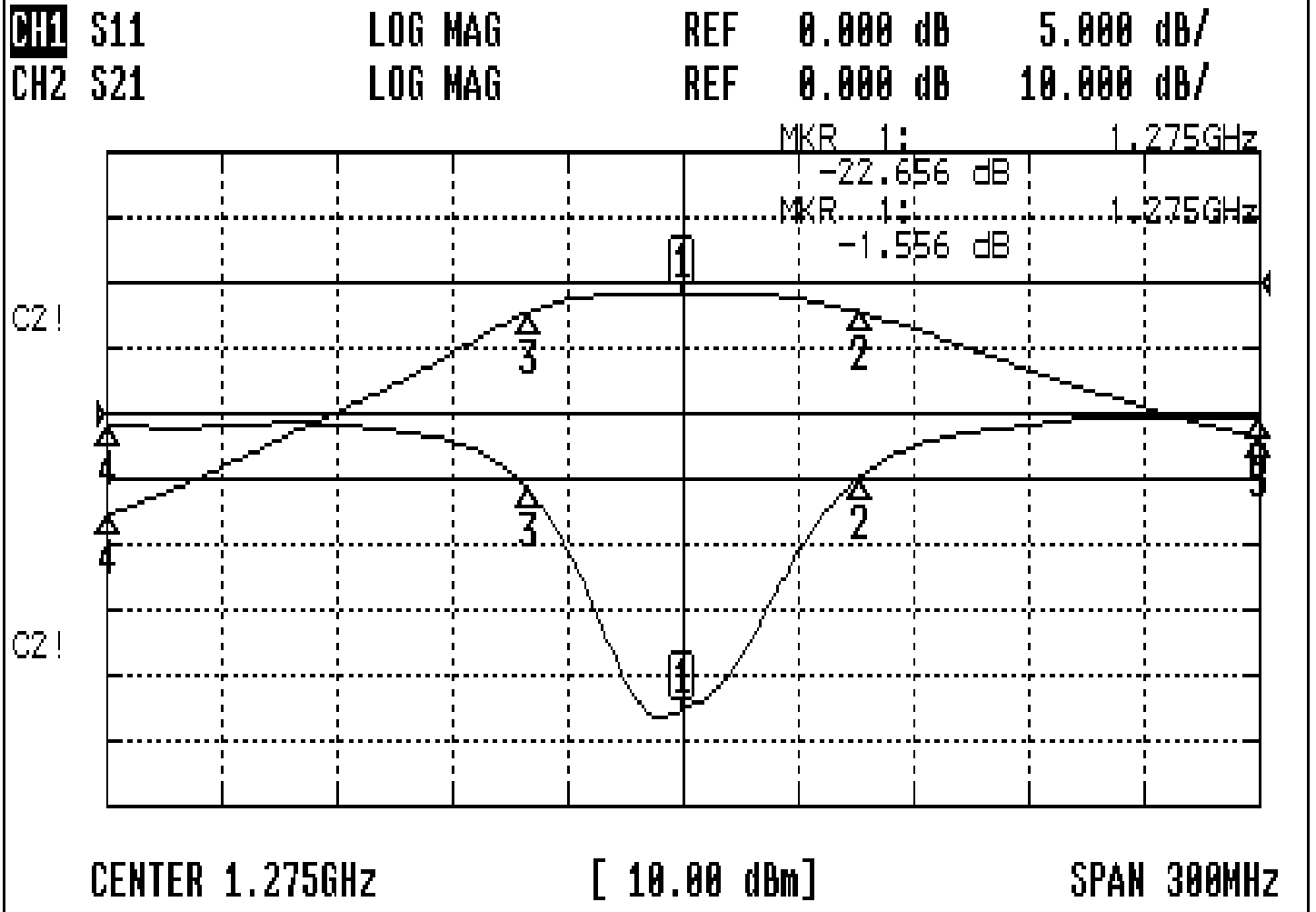


Approval	Supervisor	Designer	Aperture size
C.Y. Chang	C.S. Chang	C.S. Chang	5W3S(3.8*5.1)(5.12) 5HW046RB3.2

TEMWELL CORPORATION

Performance-TTW3808B-1275M

0512062DC



CH1 MARKER LIST

1:	1.275 000GHz	-22.658	dB
2:	1.321 000GHz	-4.878	dB
3:	1.234 500GHz	-5.649	dB
4:	1.125 000GHz	-0.817	dB
5:	1.425 000GHz	-0.226	dB

CH2 MARKER LIST

1:	1.275 000GHz	-1.556	dB
2:	1.321 000GHz	-4.506	dB
3:	1.234 500GHz	-4.566	dB
4:	1.125 000GHz	-35.438	dB
5:	1.425 000GHz	-23.453	dB