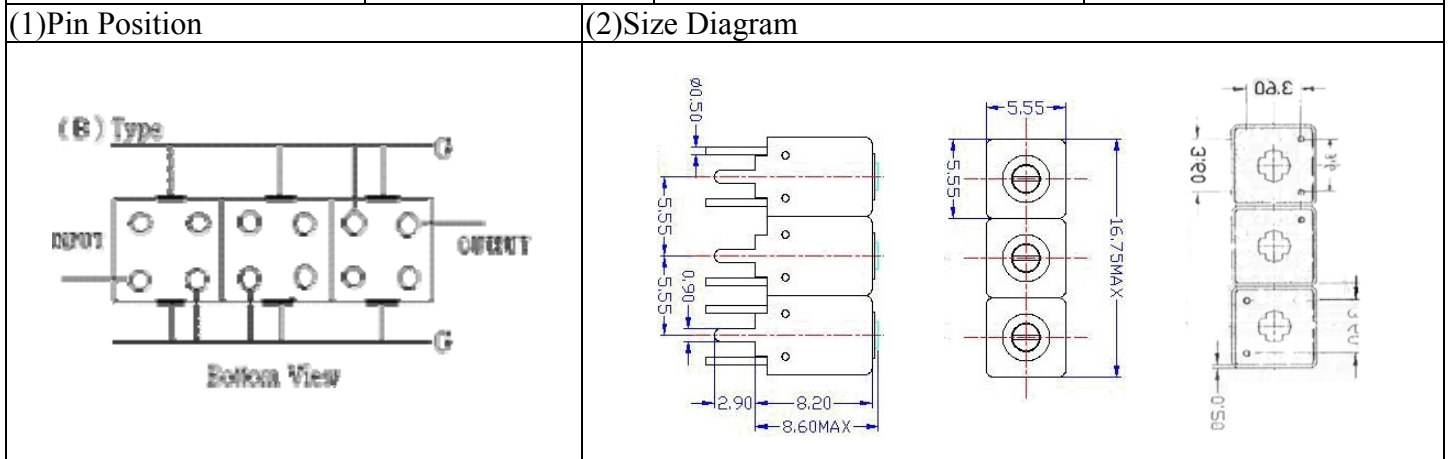


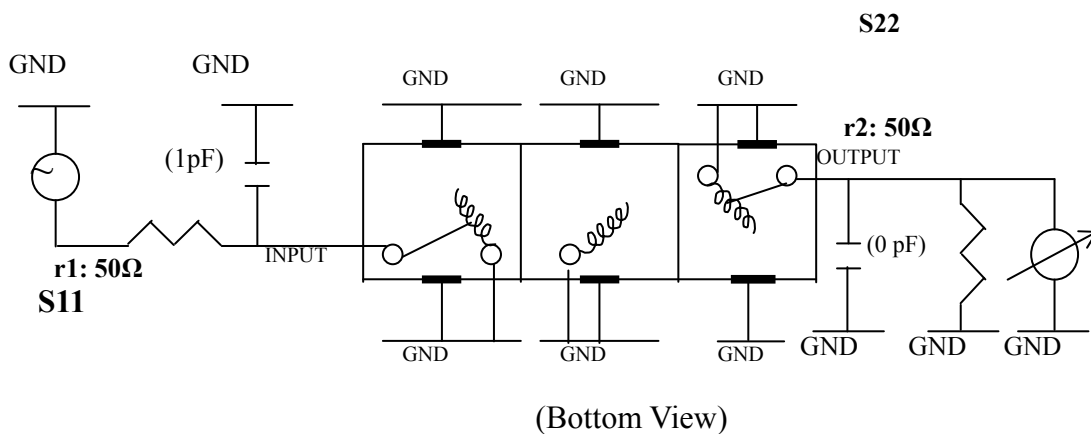
VHF UHF Helical Filter Specification Sheet

Customer Name		Temwell's Part No.	TTW3804B-1075M
Approval No. /dated	0512058APR	Acceptable Specify Fo Range	1051-1100 MHz
Work Instruction No.	0512058DC	Date	Jan.13.2006



(3) Electric Character			
Item	Specify		Performance
Center Freq. (Fo) +/- 0.5 %	1075	MHz	1075 MHz
Tunable Range:	1075±5	MHz	1075±5 MHz
Insertion Loss	Typ. 2.5	dB	1.15 dB
-3 dB Bandwidth	Typ. 70	MHz	77.2 MHz
Sensitivity (Attenuation)	Fo - 100 MHz	Typ. 24	dBc
	Fo + 100 MHz	Typ. 13	dBc
	Fo - ()MHz	Typ.	dBc
	Fo + ()MHz	Typ.	dBc
Return Loss	Min. 12	dB	16.5 dB
Ripple	< 1	dB	dB
Impedance	In / Out : 50 Ω		In / Out : 50 Ω
(4) Torque for Tuning Screw			
> 60gf · cm			
(5) Temperature Condition:			
Operating Temperature	0°C ~ +60°C		
Storage Temperature	-20°C ~ +70°C		
(6) Input Power			
> 0.5Watt			

(7) Measuring Circuit: ※Easy to match Impedance S11/S22 50Ω by parallel with about(1pF) / (0pF).



Approval	Supervisor	Designer	Aperture size
C.Y. Chang	C.S. Chang	C.S. Chang	5W3, 3.8*5.1 (5.13) 5HW046RB3.2

TEMWELL CORPORATION

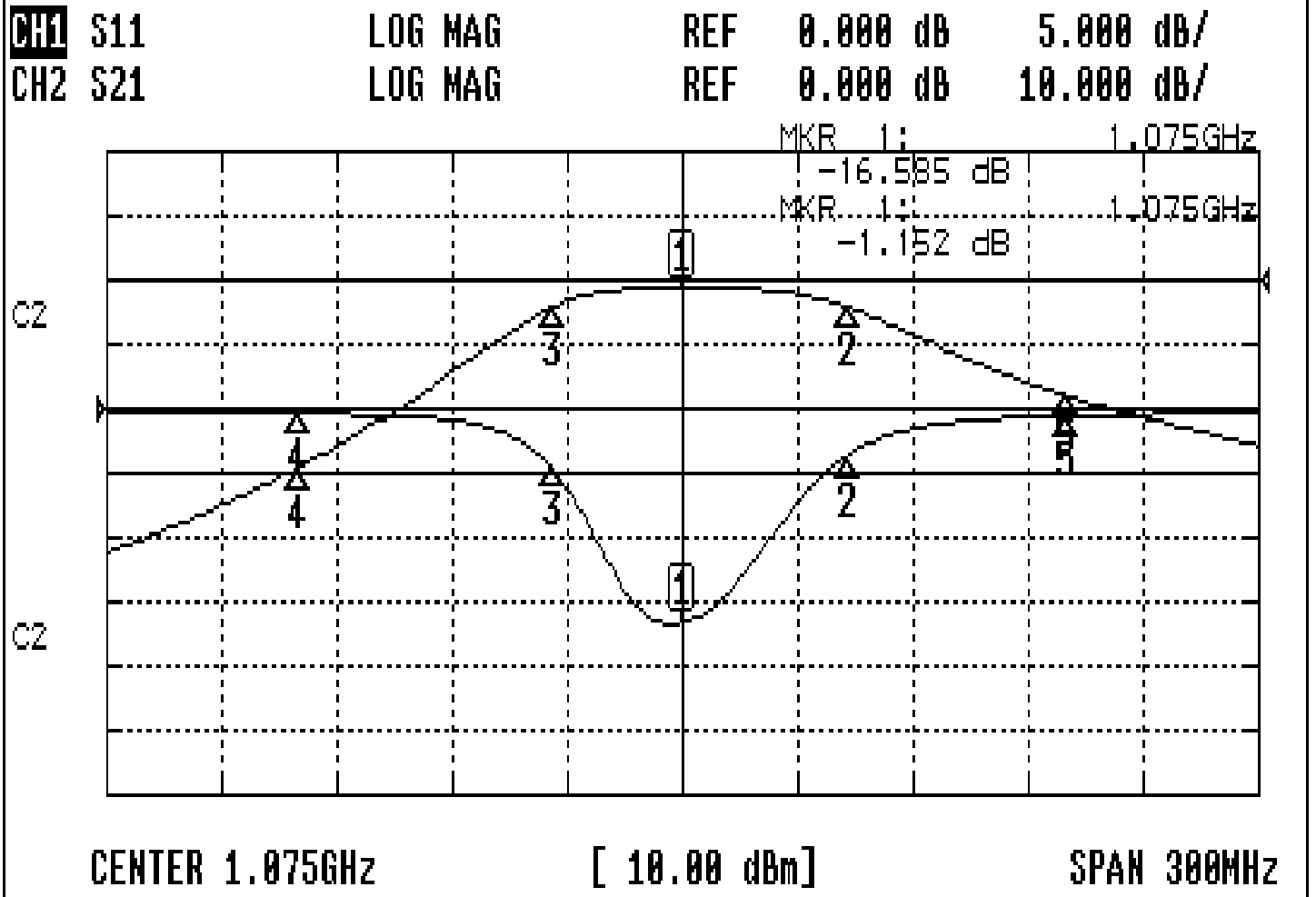
TEMWELL

Form10-5W3B Vision D

RP: C.S. Chang

Performance-TTW3804B-1075M

0512058DC



CH1 MARKER LIST

1:	1.075 000GHz	-16.585	dB
2:	1.118 250GHz	-3.609	dB
3:	1.041 000GHz	-4.595	dB
4:	975.000MHz	-0.400	dB
5:	1.175 000GHz	-0.538	dB
6:			
7:			
8:			
9:			
10:			

CH2 MARKER LIST

1:	1.075 000GHz	-1.152	dB
2:	1.118 250GHz	-4.195	dB
3:	1.041 000GHz	-4.133	dB
4:	975.000MHz	-29.083	dB
5:	1.175 000GHz	-17.950	dB
6:			
7:			
8:			
9:			
10:			