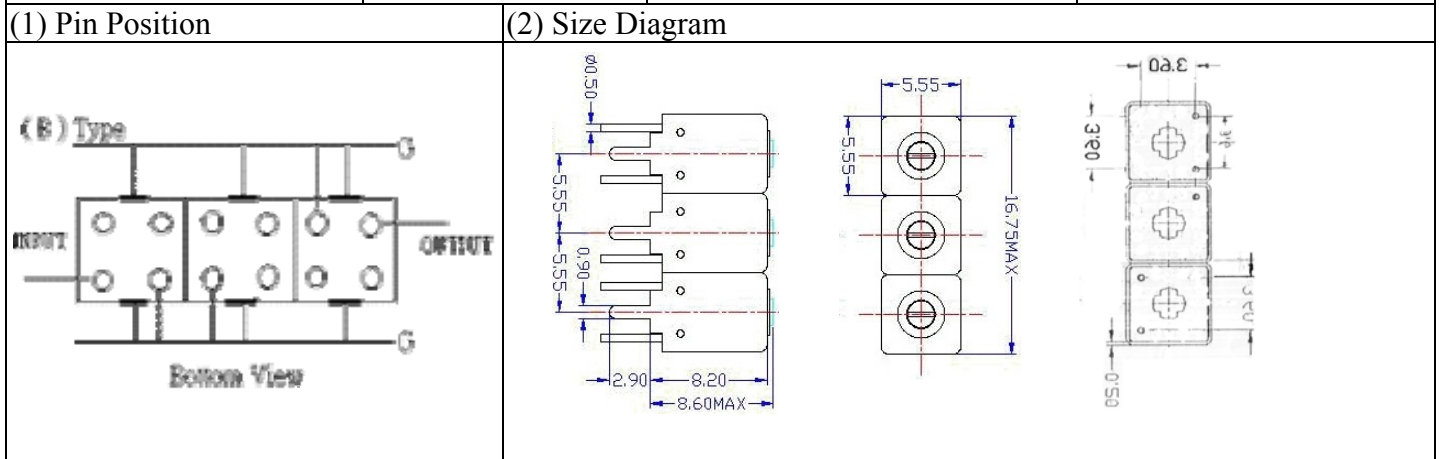


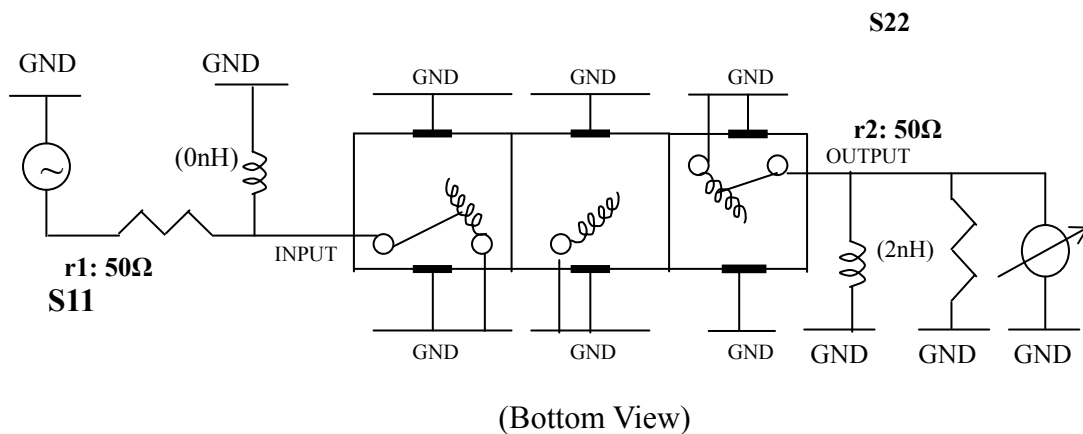
VHF UHF Helical Filter Specification Sheet

Customer Name		Temwell's Part No.	TTW3803B-1025M
Approval No. /dated	0512057APR	Acceptable Specify Fo Range	1001-1050 MHz
Work Instruction No.	0512057DC	Date	Jan.12.2006



(3) Electric Character			
Item	Specify		Performance
Center Freq. (Fo) +/- 0.5 %	1025	MHz	1025 MHz
Tunable Range:	1025±5	MHz	1025±5 MHz
Insertion Loss	Typ. 3.0	dB	2.29 dB
-3 dB Bandwidth	Typ. 68	MHz	76.2 MHz
Sensitivity (Attenuation)	Fo - 100 MHz	Typ. 28 dBc	31 dBc
	Fo + 100 MHz	Typ. 16 dBc	19 dBc
	Fo - ()MHz	Typ. dBc	dBc
	Fo +()MHz	Typ. dBc	dBc
Return Loss	Min. 12	dB	20.5 dB
Ripple	< 1	dB	dB
Impedance	In / Out : 50 Ω		In / Out : 50 Ω
(4) Torque for Tuning Screw	> 60gf · cm		
(5) Temperature Condition:			
Operating Temperature	0°C ~ +60°C		
Storage Temperature	-20°C ~ +70°C		
(6) Input Power	> 0.5Watt		

(7) Measuring Circuit: ※ Easy to match Impedance S11/S22 50Ω by parallel with about(0nH) / (2nH).

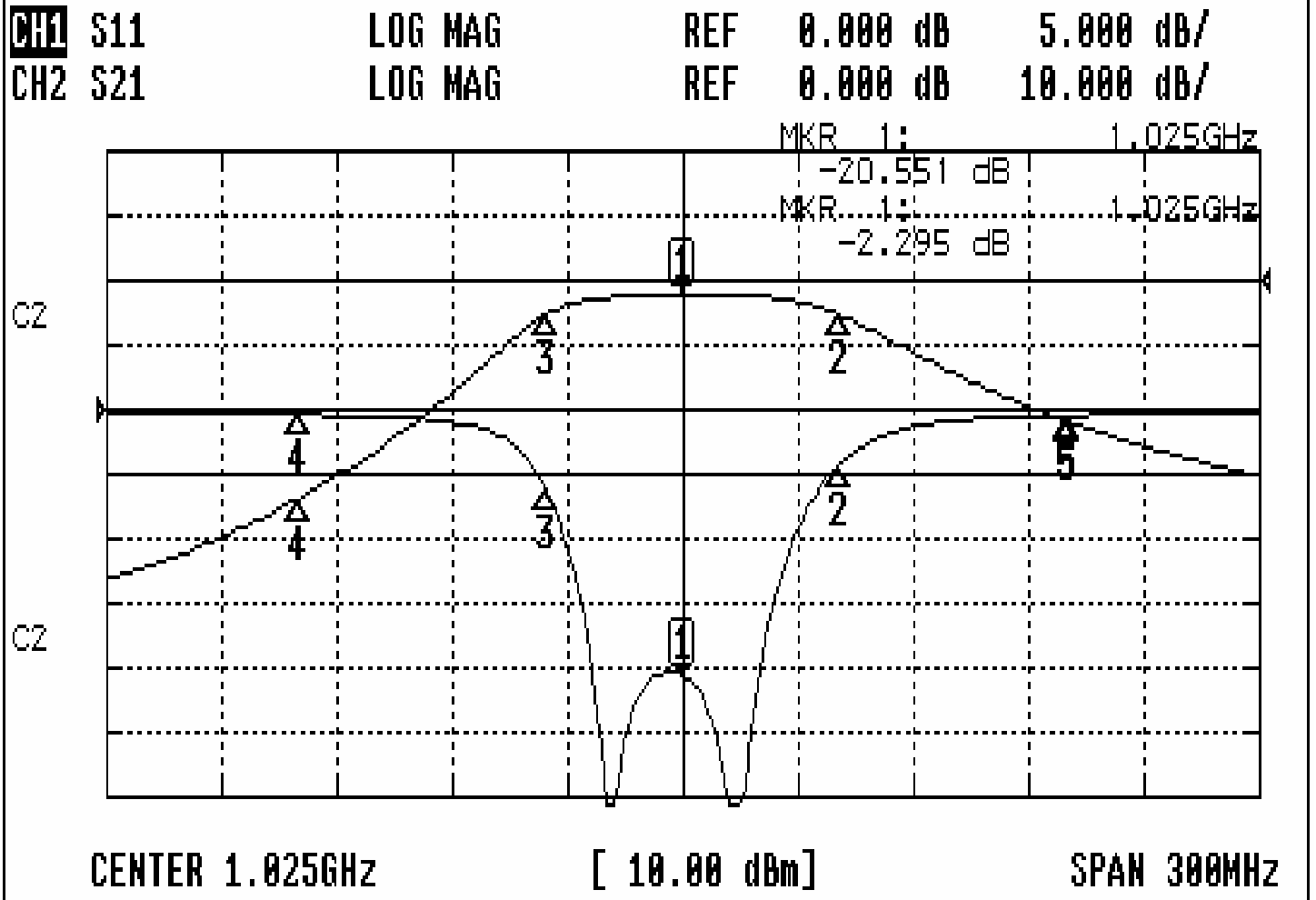


Approval	Supervisor	Designer	Aperture size
C.Y. Chang	C.S. Chang	C.S. Chang	5W3S(3.8*5.1)(5.13) 5HW046RB3.2

TEMWELL CORPORATION

Performance-TTW3803B-1025M

0512057DC



CH1 MARKER LIST

1:	1.025 000GHz	-20.551 dB
2:	1.065 750GHz	-4.196 dB
3:	989.500MHz	-6.062 dB
4:	925.000MHz	-0.400 dB
5:	1.125 000GHz	-0.453 dB

CH2 MARKER LIST

1:	1.025 000GHz	-2.295 dB
2:	1.065 750GHz	-11.310 dB
3:	989.500MHz	-11.304 dB
4:	925.000MHz	-33.703 dB
5:	1.125 000GHz	-21.799 dB