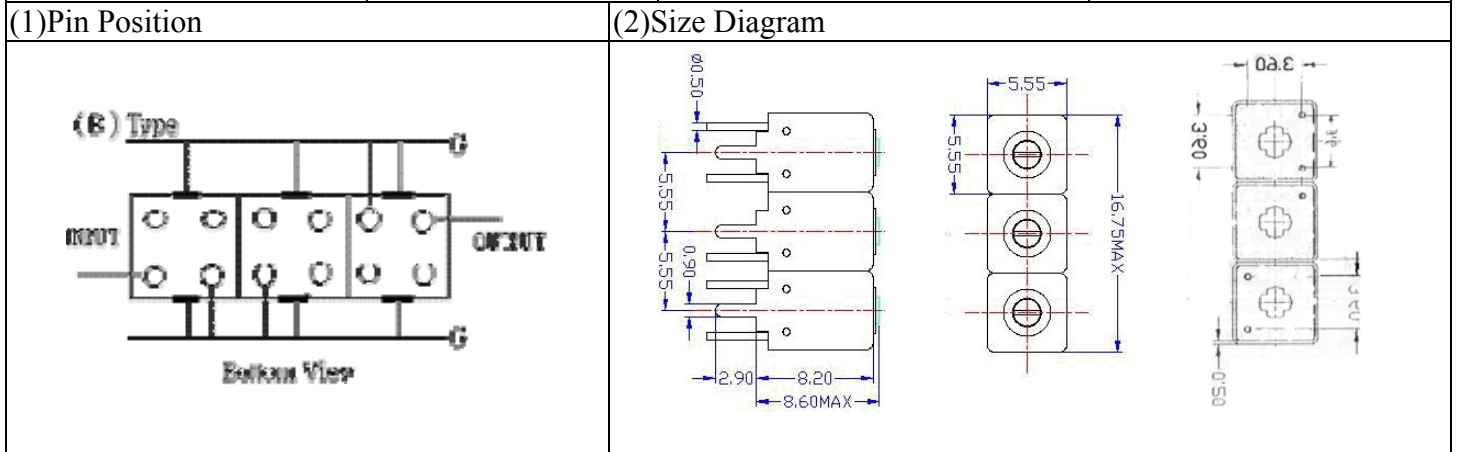


VHF UHF Helical Filter Specification Sheet

Customer Name		Temwell's Part No.	TTW3802B-2550M
Approval No. /dated	0512056APR	Acceptable Specify Fo Range	2501-2550 MHz
Work Instruction No.	0512056DC	Date	Feb.06.2006



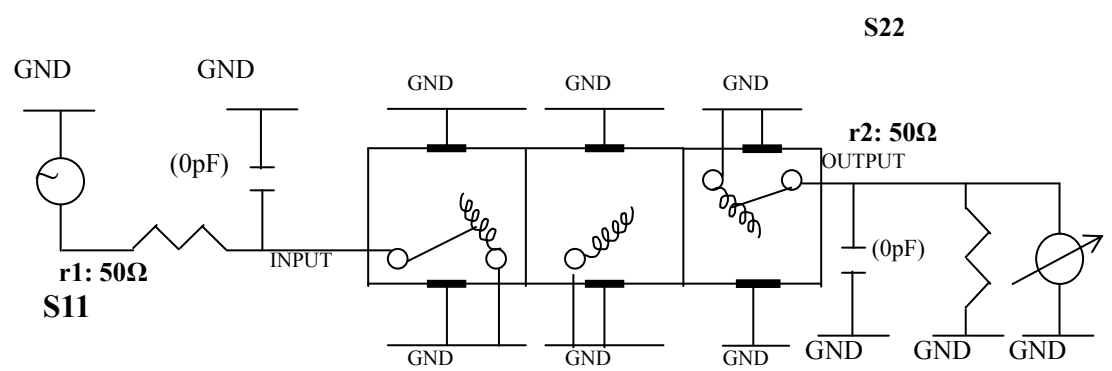
(3) Electric Character			
Item	Specify		Performance
Center Freq.(Fo) +/- 0.5 %	2550	MHz	2550 MHz
Tunable Range:	2550±5	MHz	2550±5 MHz
Insertion Loss	Typ. 4.5	dB	3.47 dB
-3 dB Bandwidth	Typ. 62	MHz	83.0 MHz
Sensitivity (Attenuation)	Fo - 150 MHz	Typ. 26	dBc
	Fo + 150 MHz	Typ. 19	dBc
	Fo - ()MHz	Typ.	dBc
	Fo +()MHz	Typ.	dBc
Return Loss	Min. 12	dB	30.3 dB
Ripple	< 1	dB	dB
Impedance	In / Out : 50 Ω		In / Out : 50 Ω

(4) Torque for Tuning Screw > 60gf • cm

(5) Temperature Condition:
 Operating Temperature 0°C ~ +60°C
 Storage Temperature -20°C ~ +70°C

(6) Input Power > 0.5Watt

(7) Measuring Circuit: ※Easy to match Impedance S11/S22 50Ω by parallel with about(0pF) / (0pF).



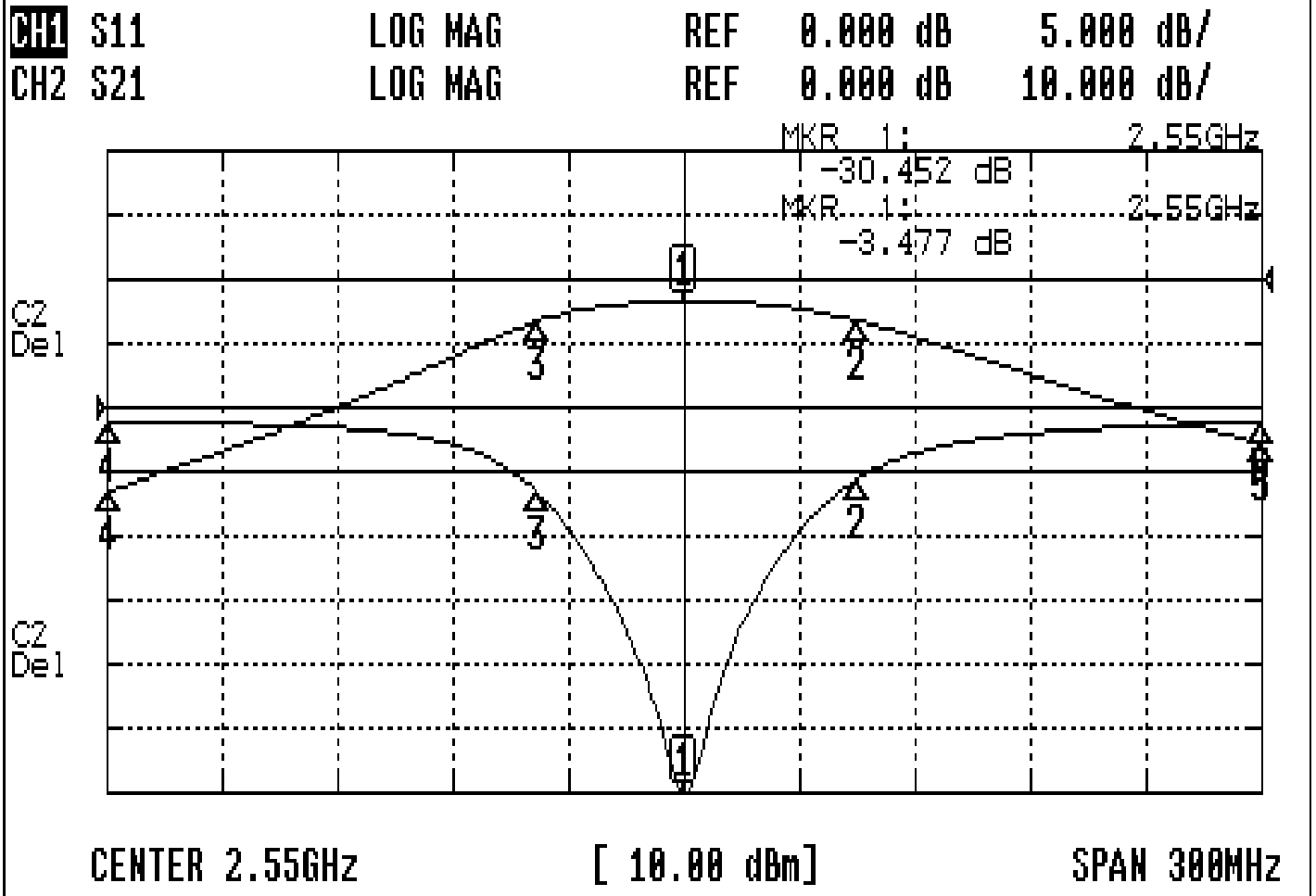
(Bottom View)

Approval	Supervisor	Designer	Aperture size
C.Y. Chang	C.S. Chang	C.S. Chang	5W3, 3.8*4.0 (4.12) 5HW046RB3.2

TEMWELL CORPORATION

Performance-TTW3802B-2550M

0512056DC



CH1 MARKER LIST

1:	2.550	000GHZ	-30.390	dB
2:	2.595	250GHZ	-10.552	dB
3:	2.512	250GHZ	-6.676	dB
4:	2.400	000GHZ	-1.146	dB
5:	2.700	000GHZ	-1.183	dB

CH2 MARKER LIST

1:	2.550	000GHZ	-3.479	dB
2:	2.595	250GHZ	-10.462	dB
3:	2.512	250GHZ	-6.476	dB
4:	2.400	000GHZ	-2.983	dB
5:	2.700	000GHZ	-2.473	dB