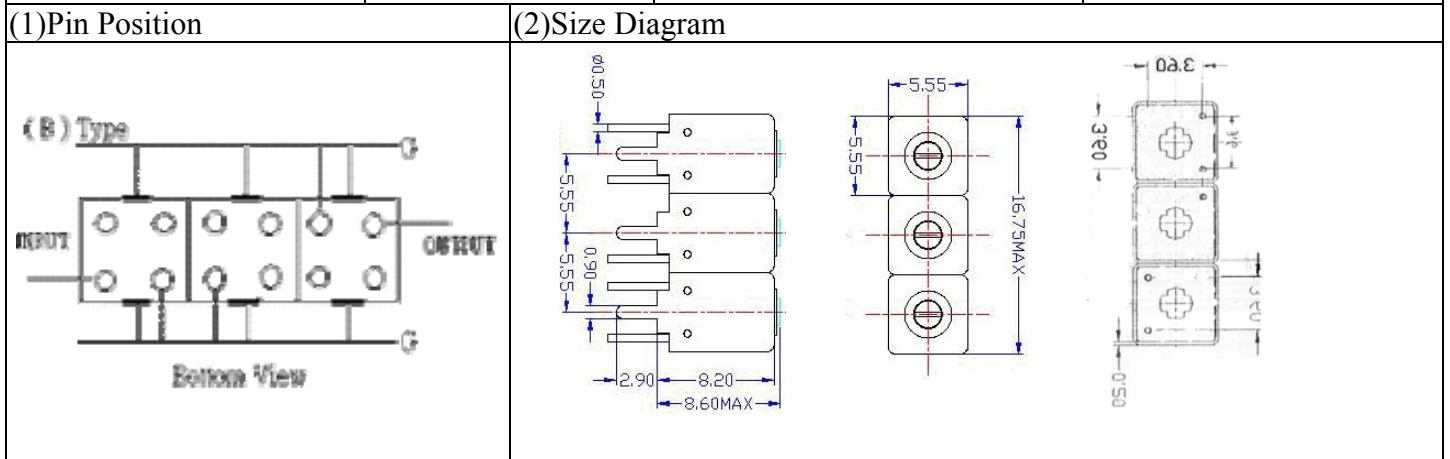


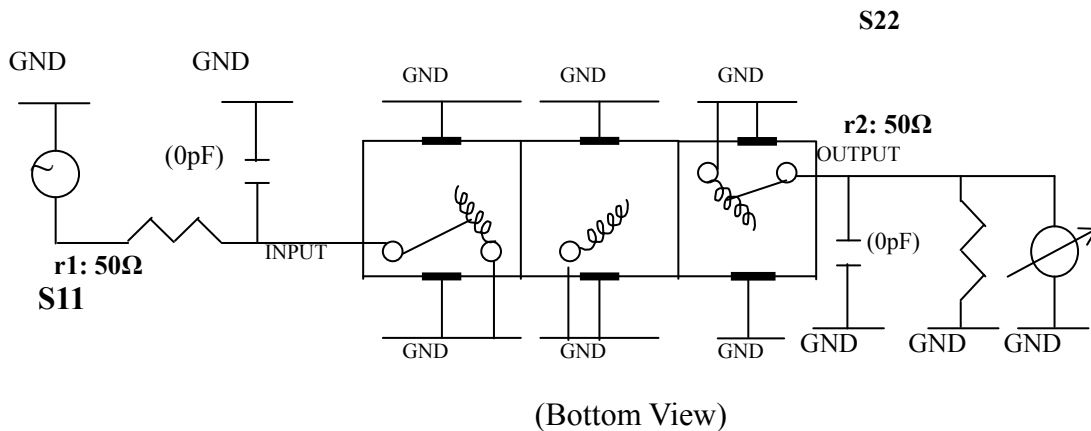
VHF UHF Helical Filter Specification Sheet

Customer Name		Temwell's Part No.	TTW3801B-2375M
Approval No. /dated	0512055APR	Acceptable Specify Fo Range	2351-2400 MHz
Work Instruction No.	0512055DC	Date	Feb.06.2006



(3) Electric Character		Item	Specify	Performance
Center Freq.(Fo) +/- 0.5 %			2375 MHz	2375 MHz
Tunable Range:			2375±5 MHz	2375±5 MHz
Insertion Loss		Typ.	4.0 dB	3.00 dB
-3 dB Bandwidth		Typ.	65 MHz	85.2 MHz
Sensitivity (Attenuation)	Fo - 150 MHz	Typ.	32 dBc	35 dBc
	Fo + 150 MHz	Typ.	22 dBc	25 dBc
	Fo - ()MHz	Typ.	dBc	dBc
	Fo +()MHz	Typ.	dBc	dBc
Return Loss		Min.	12 dB	25.5 dB
Ripple			< 1 dB	dB
Impedance			In / Out : 50 Ω	In / Out : 50 Ω
(4) Torque for Tuning Screw			> 60gf · cm	
(5) Temperature Condition:				
Operating Temperature			0°C ~ +60°C	
Storage Temperature			-20°C ~ +70°C	
(6) Input Power			> 0.5Watt	

(7) Measuring Circuit: ※Easy to match Impedance S11/S22 50Ω by parallel with about(0pF) / (0pF).



Approval	Supervisor	Designer	Aperture size
C.Y. Chang	C.S. Chang	C.S. Chang	5W3, 3.8*4.0 (4.09) 5HW046RB3.2

TEMWELL CORPORATION

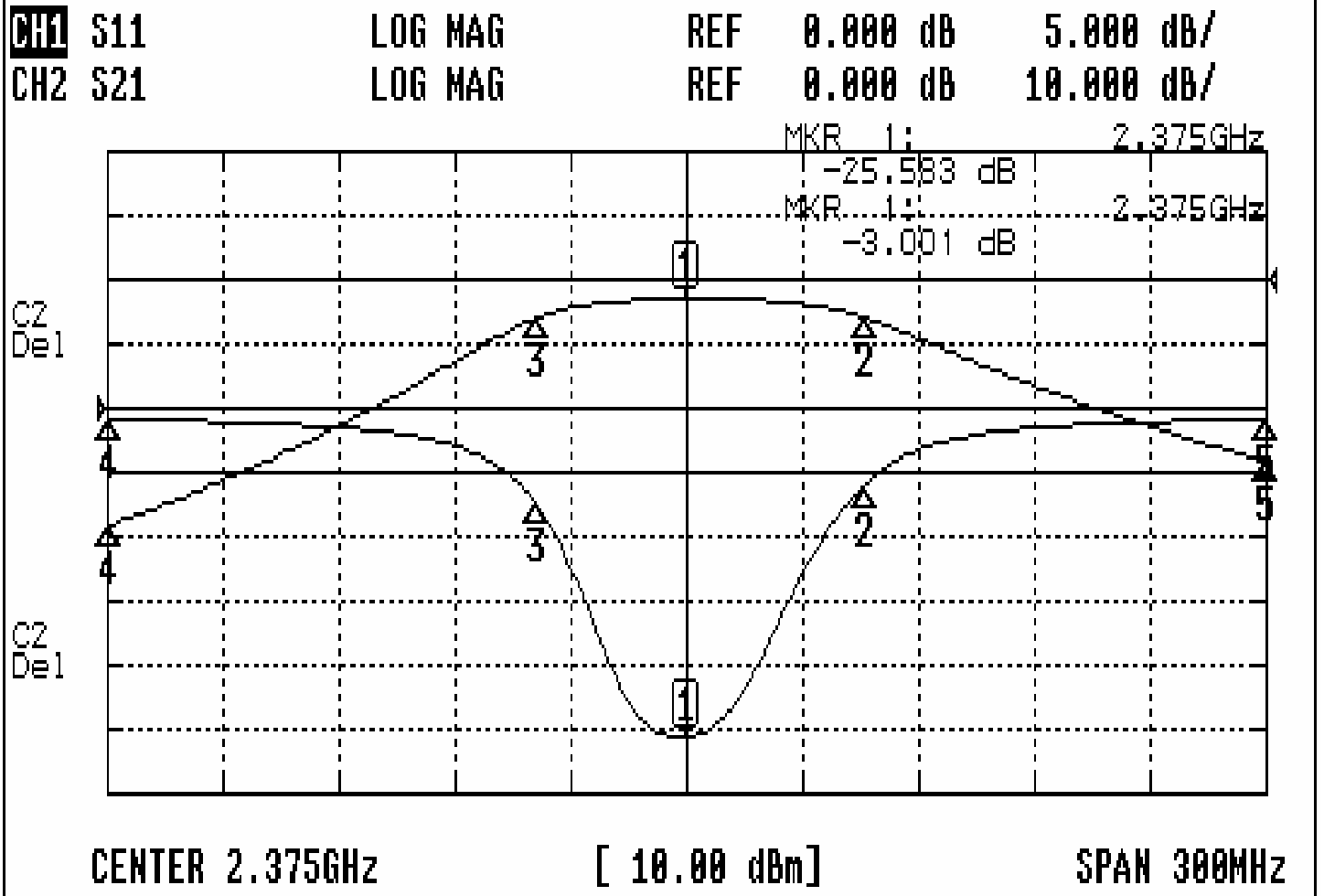
TEMWELL

Form10-5W3B Vision D

RP: C.S. Chang

Performance-TTW3801B-2375M

0512055DC



CH1 MARKER LIST

1:	2.375	000GHz	-25.583	dB
2:	2.421	250GHz	-7.959	dB
3:	2.336	000GHz	-7.420	dB
4:	2.225	000GHz	-0.881	dB
5:	2.525	000GHz	-0.883	dB

CH2 MARKER LIST

1:	2.375	000GHz	-3.001	dB
2:	2.421	250GHz	-1.978	dB
3:	2.336	000GHz	-1.978	dB
4:	2.225	000GHz	-3.346	dB
5:	2.525	000GHz	-28.238	dB